

Inhoudsopgave

Achteras Aandrijving	101
Achteras Behuizing	77
Brandstof Tank	27
Bumper & Motorkapsluiting	31
Dashbord	59
Differentieel Slot	105
Driepunt	169
Eindvertraging Wiel	103
Elecktrisch	121
Gaskabels	13
Hydrauliek	127
Hydrauliek Hef	139
Hydrauliek PTO - Diff. Slot	135
Hydrauliek Stuur	131
Hydrauliek Ventielen	137
Kabine	189
Koppeling	83
Koppeling Pedalen & Aansturing	85
Luchtfiler	19
Middenstuk & As	75
Motor	5
Motorkap	33
Oliekoeler	129
P.T.O.	107
P.T.O. Schakeling	113
Radiator & Slangen	15
Remmen	115
Rem Pedalen	117
Rolbeugel & Spatscheren Voor	41
Schakelpoken & Gaffels	97
Schakelpoken & Zitting Montage	63
Spatscheren Achter	51
Spatscheren Voor	43
Stickers	55
Treiplanken & Kappen	47
Tandwielen	89
Trekhaak	177
Vooras Aandrijving	79
Vooras Behuizing	71
Wielen & Banden	183
Zittingen	67
Parts Index	219

Code	Description	Notes
A.01.02_0_55910	ENGINE	Engine: 85 CV
A.01.03_0_56388	ENGINE	Engine: 95 CV
A.02.02_0_54125	ENGINE CONTROLS	
A.03.02_0_55953	COOLER	Engine: 85 CV
A.03.03_0_55986	COOLER	Engine: 95 CV
A.04.03_0_56022	AIR FILTER	Engine: 85 CV
A.04.04_0_56038	AIR FILTER WITH EXTERNAL AIR INTAKE	Engine: 85 CV
A.04.05_0_56055	AIR FILTER	Engine: 95 CV
A.04.06_0_56068	AIR FILTER WITH EXTERNAL AIR INTAKE	Engine: 95 CV
A.05.01_0_56089	FUEL TANK	
B.01.02_0_56437	FRONT SUPPORT	Engine: 85 CV, 95 CV
B.02.02_0_56470	BONNET	
B.02.02_1_76209	BONNET	
B.03.01_0_55581	FRONT MUDGUARDS	
B.03.02_0_55607	FRONT MUDGUARDS (VERSION WITH CAB)	
B.03.04_0_55657	FRONT MUDGUARDS (VERSION WITH CAB)	
B.04.03_0_52306	BOARDS	
B.04.04_0_52338	BOARDS (VERSION WITH CAB)	
B.05.01_0_55676	REAR MUDGUARDS	
B.05.02_0_55703	REAR MUDGUARDS (VERSION WITH CAB)	
B.07.01_0_56267	PLATES AND STICKERS	
B.08.02_0_51286	DASHBOARD	
B.10.01_0_51339	SEAT SUPPORT / GEAR LEVERS COVER	
B.12.01_0_55306	SEAT (STANDARD)	
B.12.02_0_55774	SEAT (KAB)	
C.01.01_0_51490	FRONT AXLE FRONT AXLE	
C.02.02_0_51590	CENTRAL SECTION	
C.03.01_0_51767	REAR AXLE	
D.01.01_0_52465	FRONT TRANSMISSION	
D.02.01_0_51799	CLUTCH FRONT SHAFT / TRANSMISSION CLUTCH	
D.03.02_0_52154	CLUTCH CONTROLS	
D.04.01_0_54324	INPUT SHAFT / RANGES MAIN SHAFT / GEARS	Version: RS-M, RS-R, AR-M, AR-R
D.05.01_0_54362	GEARS MAIN SHAFT / GEARS	Version: RS-M, RS-R, AR-M, AR-R
D.06.01_0_54411	GEARS TRANSMISSION SHAFT / GEARS	Version: RS-M, RS-R, AR-M, AR-R

Thor 75-85-95 RS reversibile "EP"

Code	Description	Notes
D.07.02_0_52066	GEARBOX CONTROLS	
D.09.01_0_52197	REAR TRANSMISSION	
D.10.01_0_52237	EPYCICLIC REDUCTION GEARS	
D.11.01_0_52534	DIFFERENTIAL LOCK	
D.12.01_1_64208	POWER TAKE-OFF	
D.13.01_0_52705	POWER TAKE-OFF CONTROLS	
D.14.01_0_52728	BRAKES	
D.15.02_0_52771	BRAKES CONTROLS	
E.01.01_0_54232	FRONT ELECTRICAL SYSTEM	
E.02.01_0_55297	ENGINE ELECTRIC SYSTEM	
E.03.02_0_54270	REAR ELECTRICAL SYSTEM	
F.01.05_0_55833	HYDR. SYSTEM DOUBLE OIL SUCTION	Engine: 85 CV, 95 CV
F.02.02_0_55891	HYDR. SYSTEM : HEAT EXCHANGER	Engine: 85 CV, 95 CV
F.03.02_0_53000	STEERING HYDR. SYSTEM	
F.04.01_0_55265	PTO /DIFFERENTIAL LOCK HYDR. SYSTEM	
I.01.01_0_53233	HYDR. CONTROL VALVES: AVAILABLE PARTS	
L.01.01_0_53253	RAISE/LOWER LIFT	
L.02.01_0_53287	FREE DISCHARGE CONTROL VALVES VERSION	
L.02.03_0_53393	HYDR. SUSPENSION VERSION	
L.02.04_0_53447	CONTROL VALVES WITHOUT FREE DISCHARGE VERSION	
M.01.01_0_53549	POSITION AND DRAFT CONTROL LIFT	
M.02.01_0_53618	FREE DISCHARGE CONTROL VALVES VERSION	
M.02.02_0_53689	CONTROL VALVES WITHOUT FREE DISCHARGE VERSION	
T.01.01_0_53900	IMPLEMENTS ATTACHMENT - STANDARD	
T.01.02_0_53928	IMPLEMENTS ATTACHMENT - ADJUSTABLE ARMS WITH QUICK HITCHES	
T.01.03_0_53964	IMPLEMENTS ATTACHMENT - ADJUSTABLE ARMS WITH QUICK HITCHES	
T.03.01_0_54060	PULL HOOK - STANDARD	
T.03.02_0_54069	POOL HOOK "EEC" APPROVED	
T.03.03_0_54078	SLIDER FRAME WITH EEC HOM. TOW HOOK	
W.01.01_0_54464	WHEELS AND TYRES (TABLE 1/2)	
W.01.02_0_54874	WHEELS AND TYRES (TABLE 2/2)	
Y.01.01_0_54532	FRAME "LOCHMANN"	
Y.01.02_0_54575	FRONT GLASS "LOCHMANN"	
Y.01.03_0_54619	REAR GLASS "LOCHMANN"	

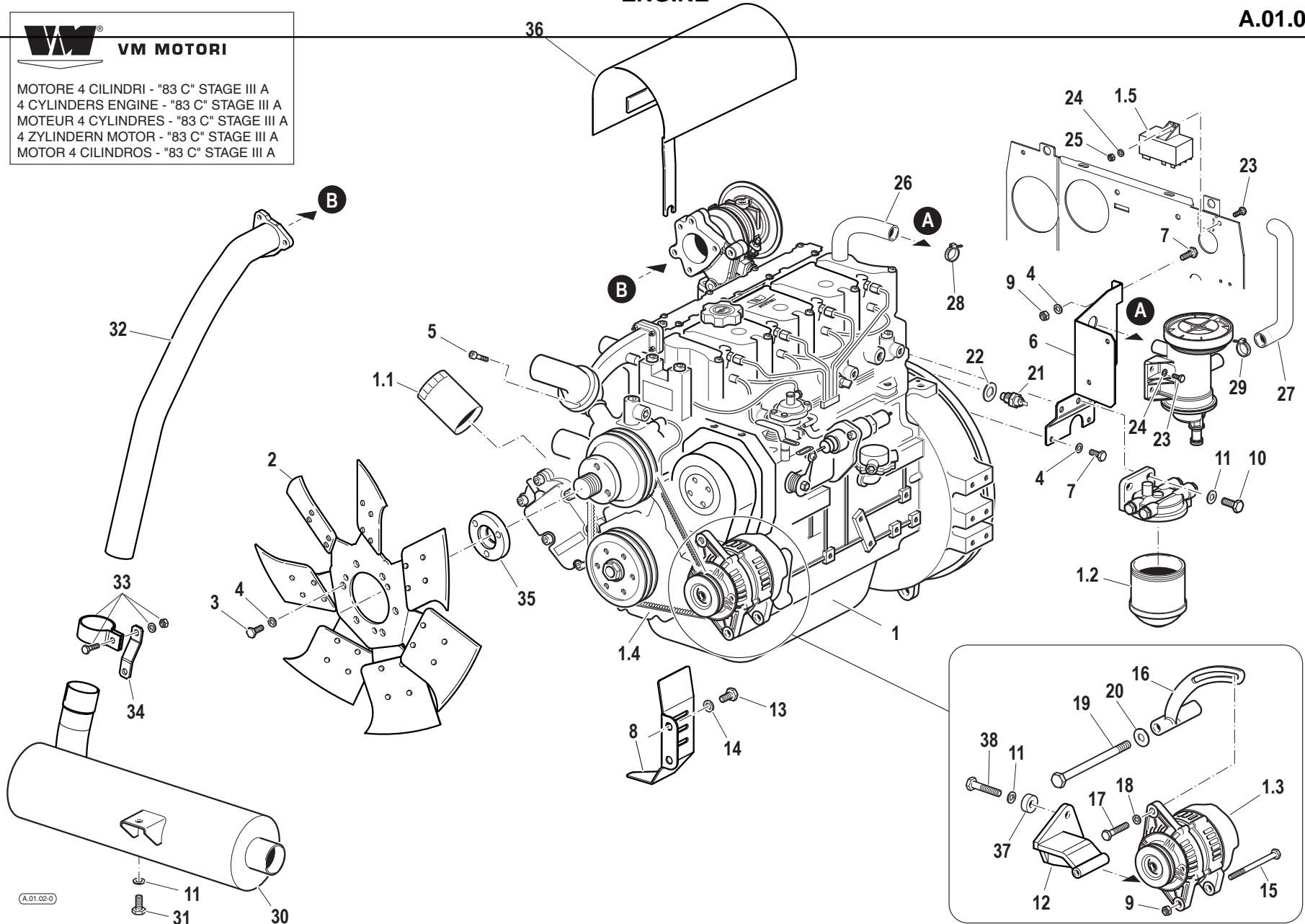
Code	Description	Notes
Y.01.04_0_54835	SIDE GLASS "LOCHMANN"	
Y.01.05_0_54662	LEFT/RIGHT DOOR "LOCHMANN"	
Y.01.06_0_54702	UNDER-ROOF - HEATING "LOCHMANN"	
Y.01.07_0_54765	TOP "LOCHMANN"	
Y.01.08_0_54848	CAB SUPPORTS - COVERING	
Y.01.09_0_54796	AIR CONDITIONING "LOCHMANN"	



VM MOTORI

MOTORE 4 CILINDRI - "83 C" STAGE III A
 4 CYLINDERS ENGINE - "83 C" STAGE III A
 MOTEUR 4 CYLINDRES - "83 C" STAGE III A
 4 ZYLINDER MOTOR - "83 C" STAGE III A
 MOTOR 4 CILINDROS - "83 C" STAGE III A

ENGINE



A.01.02-0

Pos.	Code	Q.ty	Description	Notes
1.1	58171199	1	OIL FILTER CARTRIDGE	
1.2	58171200	1	FUEL FILTER CARTRIDGE	
1.3	59901140	1	ALTERNATOR	
1.4	59900766	1	BELT	
1.5	59900345	1	CENTRAL PROCESSING UNIT	
2	58178646	1	FAN	
3	F0862694000	3	SCREW M8X170 UNI 5737	
4	F0843643060	6	WASHER 8	
5	F0862479035	1	SCREW	
6	59079167	1	RETAINER	
7	31111151	3	SCREW TE M8X16 UNI 5739 8G	
8	56177979	1	SHIELD	
9	31211080	2	NUT M8	
10	31112219	5	SCREW TE M10X25 UNI 5739	
11	F0843755000	2	WASHER 10	
12	59077318	1	SUPPORT	
13	31112082	2	SCREW TE M6X12 UNI 5739 8G	
14	31411064	2	WASHER 6,4x12,5	
15	31112174	1	SCREW TE M8X110 UNI 5737 8.8	
16	59076688	1	ROD	
17	31112153	1	SCREW TE M8X35 UNI 5739 8G	
18	31421083	1	WASHER	
19	F0864335020	1	SCREW M14X120 UNI 5737	
20	31421251	1	WASHER	
21	58175773	1	ELECTRONICAL THERMOMETER	
22	F0844030070	1	COPPER WASHER 16,0x22/1,5	
23	31112090	2	SCREW TE M6X16 UNI 5739 8G	
24	F0843570000	4	WASHER 6	
25	31211060	2	HEXAGONAL NUT M8	
26	55176744	1	PIPE	
27	58177400	1	OIL PIPE	
28	F0817500400	3	CLAMP 024,1-706R	
29	F0817500200	1	CLAMP 015,7-706R	
30	58179623	1	EXHAUST SILENCER	

SERIAL

ENGINE
Engine: 85 CV

CODE REV

A.01.02_0_55910

Pos.	Code	Q.ty	Description	Notes
31	31112208	1	SCREW TE M10X16 UNI 5739	
32	59079635	1	EXHAUST	
33	58175121	1	COLLAR	
34	56177183	1	REINFORCED STRAP	
35	56178649	1	SPACER	
36	59079624	1	GUARD	
37	56173110	3	SPACER	
38	31112212	3	SCREW TE M10X35 UNI 5739	

SERIAL

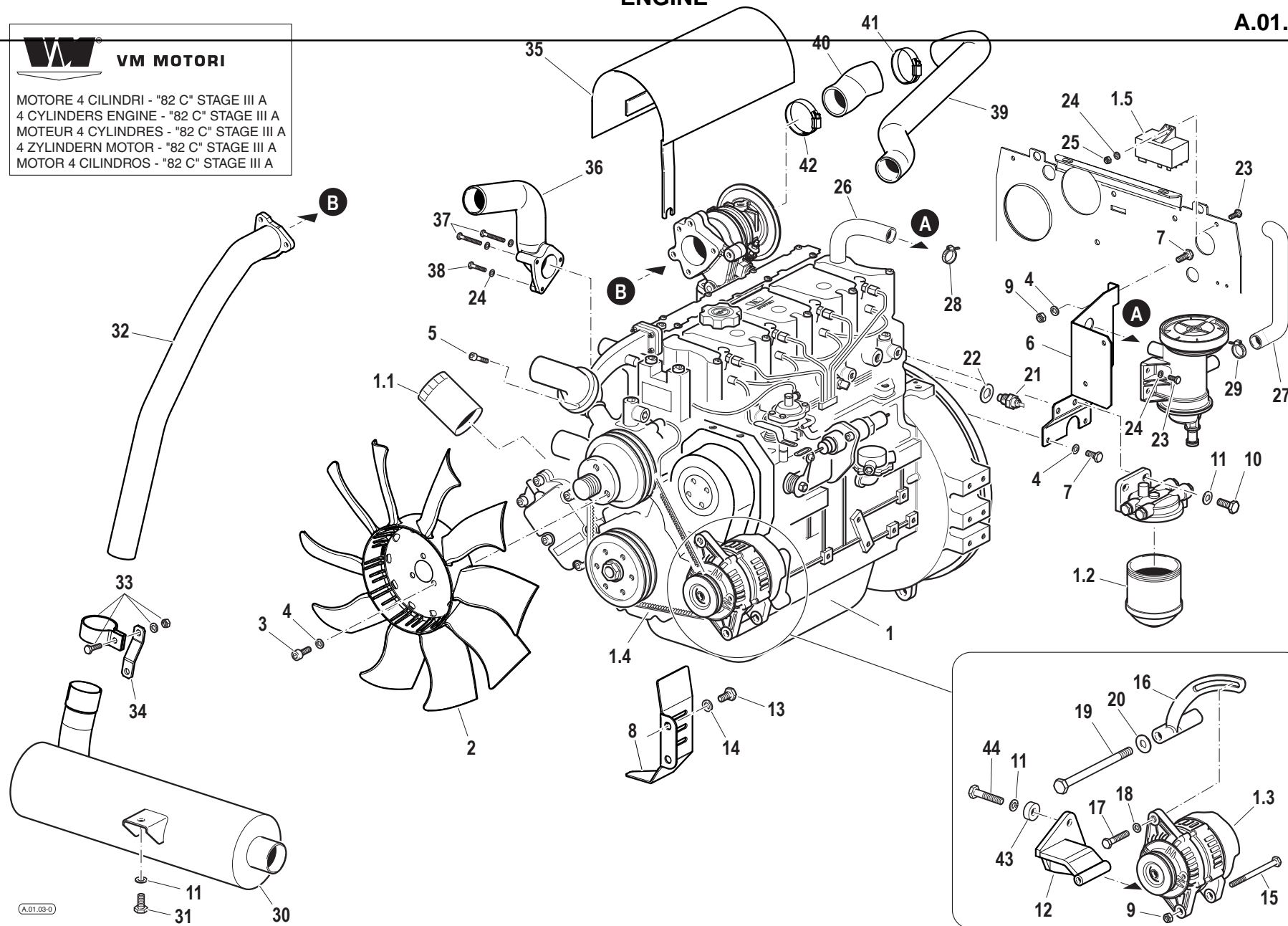
ENGINE
Engine: 85 CV

CODE REV

A.01.02_0_55910

VM MOTORI

MOTORE 4 CILINDRI - "82 C" STAGE III A
 4 CYLINDERS ENGINE - "82 C" STAGE III A
 MOTEUR 4 CYLINDRES - "82 C" STAGE III A
 4 ZYLINDER MOTOR - "82 C" STAGE III A
 MOTOR 4 CILINDROS - "82 C" STAGE III A



Pos.	Code	Q.ty	Description	Notes
1.1	58171199	1	OIL FILTER CARTRIDGE	
1.2	58171200	1	FUEL FILTER CARTRIDGE	
1.3	59901140	1	ALTERNATOR	
1.4	59901141	1	BELT	
1.5	59900345	1	CENTRAL PROCESSING UNIT	
2	58179704	1	FAN	
3	F0862495010	3	SCREW	
4	F0843643060	3	WASHER 8	
5	F0862479035	1	SCREW	
6	59079630	1	RETAINER	
7	31111151	3	SCREW TE M8X16 UNI 5739 8G	
8	56177979	1	SHIELD	
9	31211080	2	NUT M8	
10	31112219	2	SCREW TE M10X25 UNI 5739	
11	F0843755000	2	WASHER 10	
12	59077318	1	SUPPORT	
13	31112082	2	SCREW TE M6X12 UNI 5739 8G	
14	31411064	2	WASHER 6,4x12,5	
15	31112174	1	SCREW TE M8X110 UNI 5737 8.8	
16	59076688	1	ROD	
17	31112153	1	SCREW TE M8X35 UNI 5739 8G	
18	31421083	1	WASHER	
19	F0864335020	1	SCREW M14X120 UNI 5737	
20	31421251	1	WASHER	
21	58175773	1	ELECTRONICAL THERMOMETER	
22	F0844030070	1	COPPER WASHER 16,0x22/1,5	
23	31112090	2	SCREW TE M6X16 UNI 5739 8G	
24	F0843570000	4	WASHER 6	
25	31211060	2	HEXAGONAL NUT M8	
26	55176744	1	PIPE	
27	58177400	1	OIL PIPE	
28	F0817500400	3	CLAMP 024,1-706R	
29	F0817500200	1	CLAMP 015,7-706R	
30	58179623	1	EXHAUST SILENCER	

SERIAL

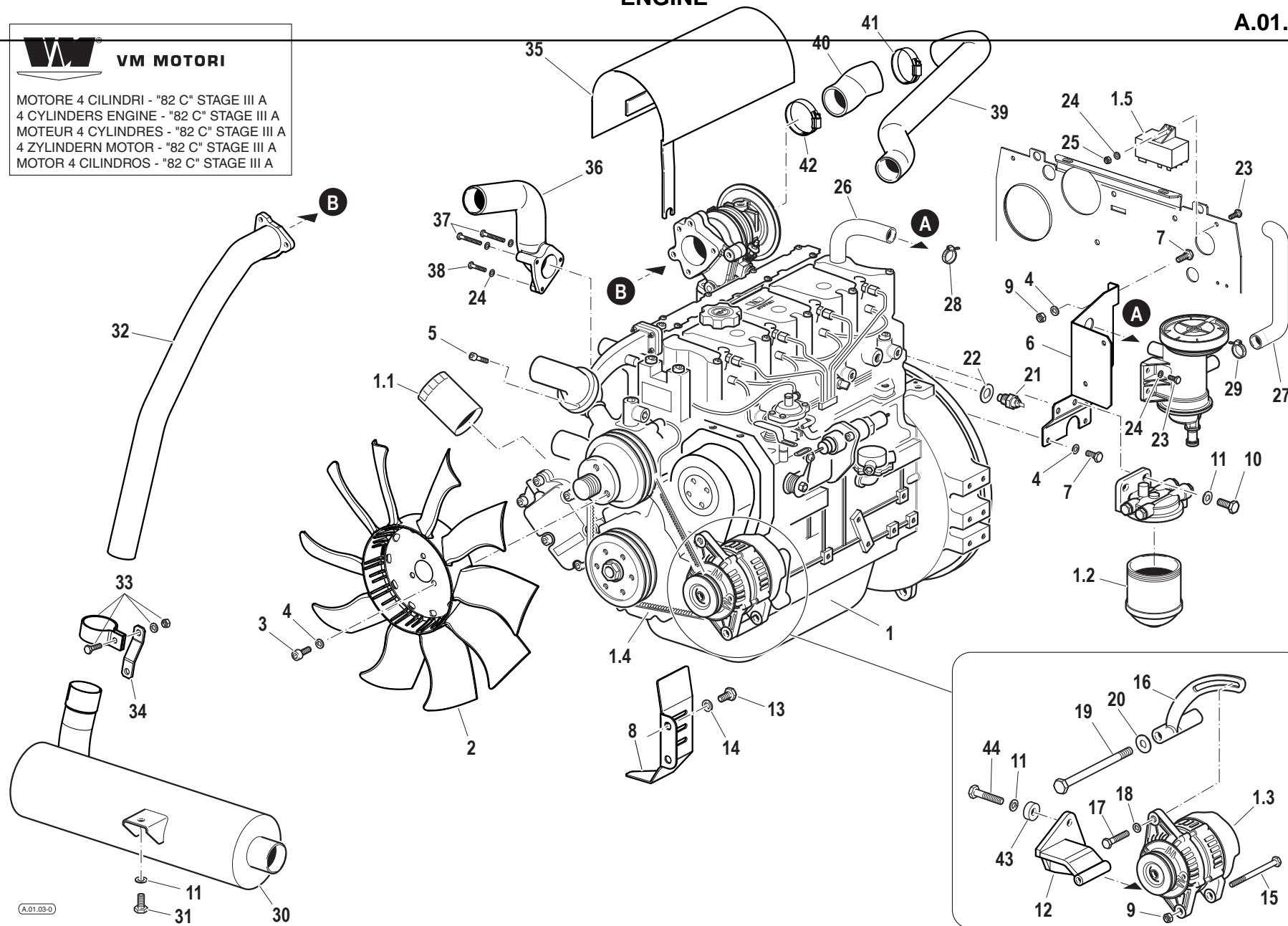
ENGINE
Engine: 95 CV

CODE REV

A.01.03_0_56388

VM MOTORI

MOTORE 4 CILINDRI - "82 C" STAGE III A
 4 CYLINDERS ENGINE - "82 C" STAGE III A
 MOTEUR 4 CYLINDRES - "82 C" STAGE III A
 4 ZYLINDER MOTOR - "82 C" STAGE III A
 MOTOR 4 CILINDROS - "82 C" STAGE III A



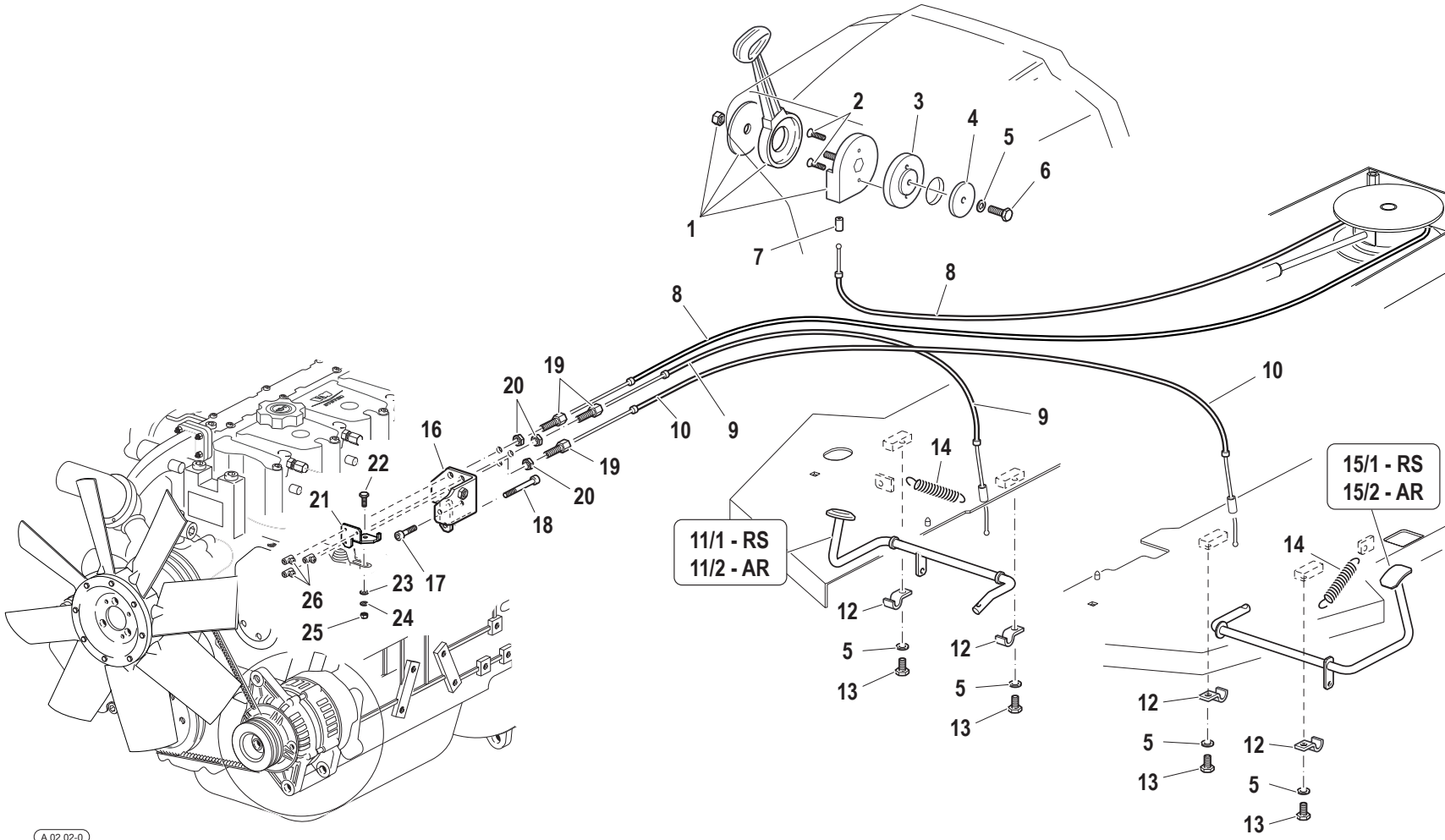
Pos.	Code	Q.ty	Description	Notes
31	31112208	1	SCREW TE M10X16 UNI 5739	
32	59079635	1	EXHAUST	
33	58175121	1	COLLAR	
34	56177183	1	REINFORCED STRAP	
35	59079624	1	GUARD	
36	51179551	1	MANIFOLD	
37	31111102	2	SCREW TE M6X50 UNI 5737 8G	
38	31112086	1	SCREW TE M6X30 UNI 5737 8G	
39	56179603	1	CONNECTION PIPE	
40	58079703	1	SLEEVE	
41	F0817500700	1	CLAMP 057,5-706R	
42	F0817500720	1	CLAMP 059,0-706	
43	56173110	3	SPACER	
44	31112212	3	SCREW TE M10X35 UNI 5739	

SERIAL

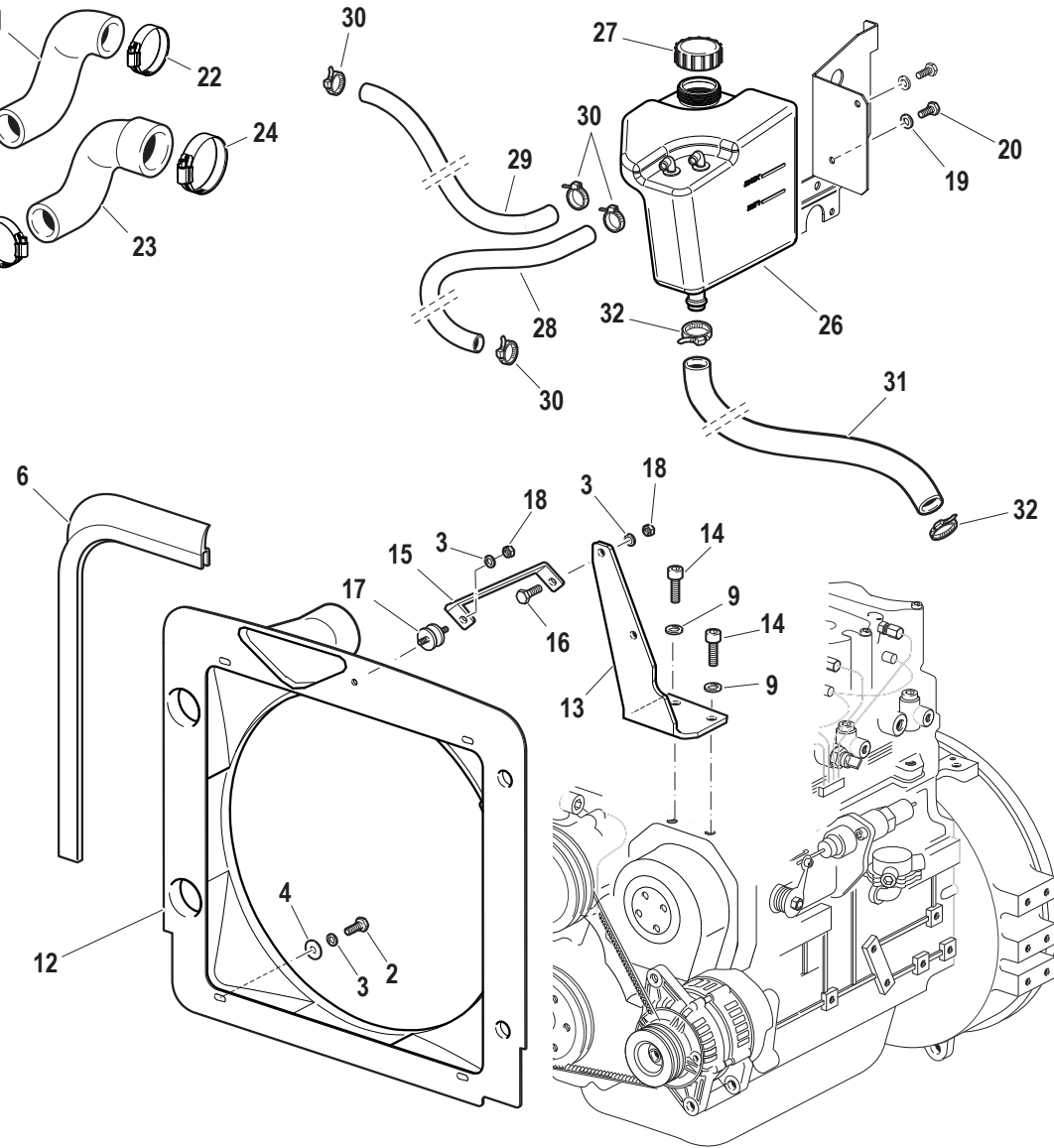
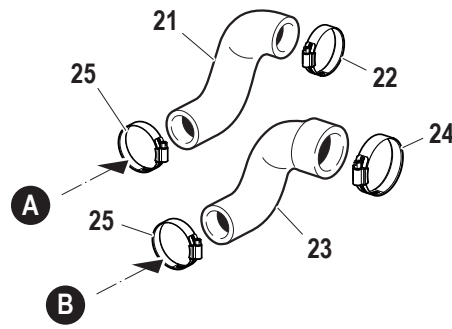
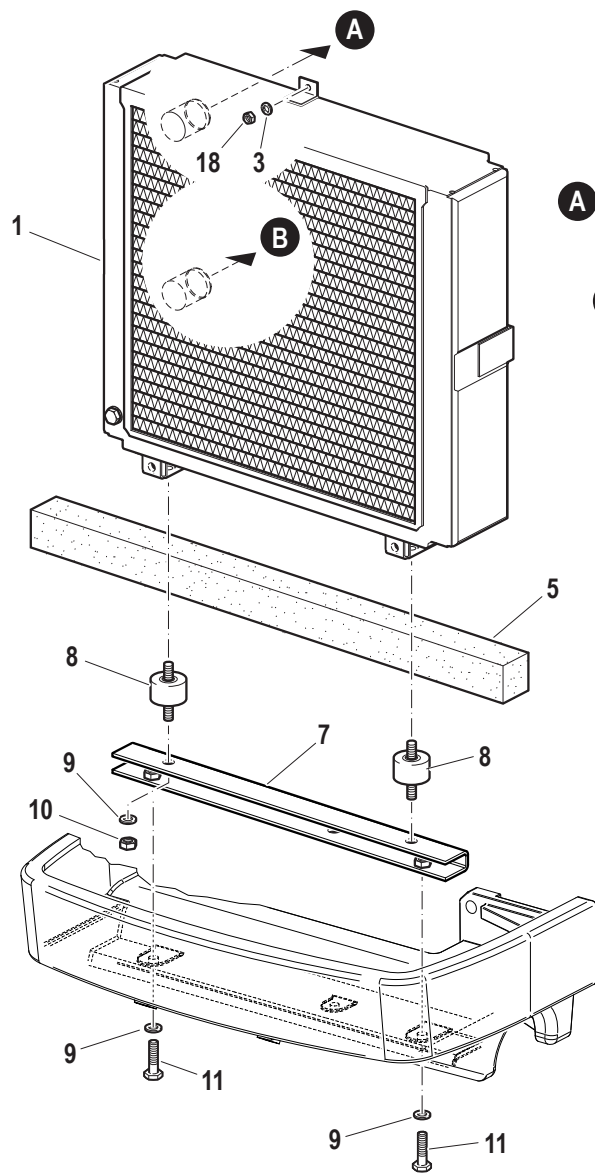
ENGINE
Engine: 95 CV

CODE REV

A.01.03_0_56388



Pos.	Code	Q.ty	Description	Notes
1	F0828029070	1	ACCELERATOR	
2	31132562	2	SCREW TSVEI M6X16 UNI 5933	
3	56171877	1	FLANGE	
4	56171883	1	WASHER	
5	F0843643060	5	WASHER 8	
6	31112150	1	SCREW TE M8X20 UNI 5739 8G	
7	F0858520000	1	SLEEVE	
8	58078631	1	CABLE	
9	58072074	1	CABLE	
10	58072075	1	CABLE	
11/1	59074346	1	ACCEL. PEDAL	
11/2	59073681	1	ACCEL. PEDAL	
12	56071768	4	PLATE	
13	31112148	2	SCREW TE M8X18 UNI 5739 8G	
14	F0831125000	2	SPRING	
15/1	59074347	1	ACCEL. PEDAL	
15/2	59074213	1	ACCEL. PEDAL	
16	56174661	1	BRACKET	
17	31152060	1	SCREW TCEI M6X30 UNI 5931	
18	31152068	1	SCREW TCEI M6X55 UNI 5931	
19	56177656	3	REGISTER	
20	31231080	3	NUT M8	
21	56177655	1	BRACKET	
22	31112051	1	SCREW TE M5X14 UNI 5739 8G	
23	31411053	1	WASHER 5,3x10	
24	F0843561000	1	WASHER 5	
25	31211050	1	NUT M5	
26	58048002	3	CLAMPING SCREW	



Pos.	Code	Q.ty	Description	Notes
1	58178585	1	RADIATOR	
2	31111091	4	SCREW E M6X14 UNI 5739 8G	
3	F0843570000	8	WASHER 6	
4	31411066	6	WASHER 6,6x18	
5	573A0226	1	COOLER SPONGY GASKET	
6	F0256809050	1	GASKET	
7	59079785	1	SUPPORT COVER	
8	58174608	2	SILENT-BLOCK	
9	F0843755000	4	WASHER 10	
10	F0814632000	2	NUT M10	
11	31112219	2	SCREW TE M10X25 UNI 5739	
12	58178638	1	DUCT	
13	59079626	1	FIXING BRACKET	
14	31152103	1	SCREW TCEI M10X25 UNI 5931	
15	56176691	1	FIXING BRACKET	
16	31112093	1	SCREW TE M6X20	
17	F0849206005	1	SILENT-BLOCK	
18	31211060	7	HEXAGONAL NUT M8	
19	F0843643060	2	WASHER 8	
20	31111151	2	SCREW TE M8X16 UNI 5739 8G	
21	55174632	1	SLEEVE	
22	F0817500500	1	CLAMP 048,5-706R	
23	55177639	1	SLEEVE	
24	F0817500700	1	CLAMP 057,5-706R	
25	F0817500470	2	CLAMP	
26	P236340000000	1	CUP	
27	P236220000000	1	PLUG	
28	58078677	1	VENT HOSE	
29	58075873	1	VENT HOSE	
30	F0817500200	4	CLAMP 015,7-706R	
31	58077132	1	PIPE	
32	F0817500400	2	CLAMP 024,1-706R	

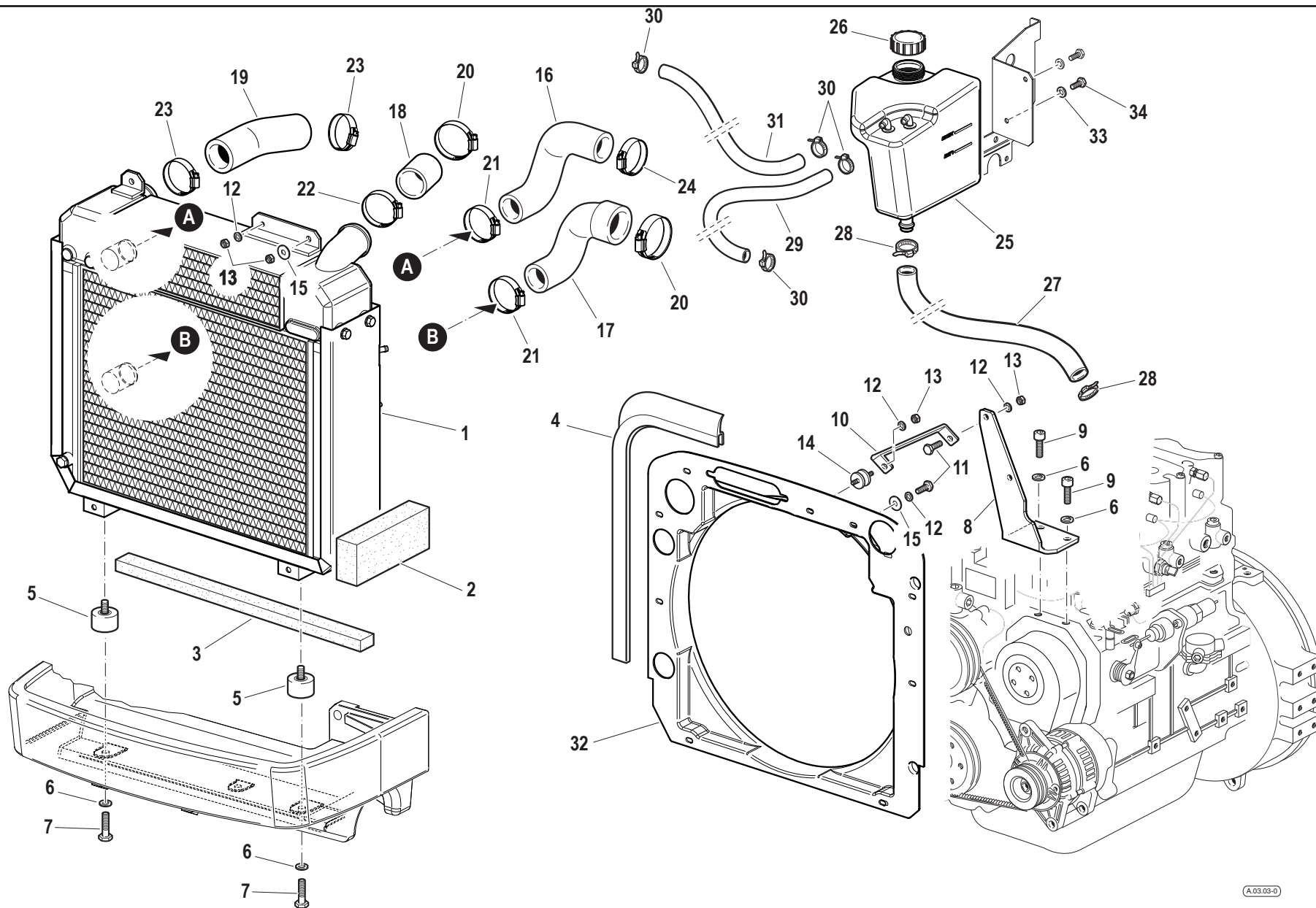
SERIAL

COOLER
Engine: 85 CV

CODE REV

A.03.02_0_55953

COOLER



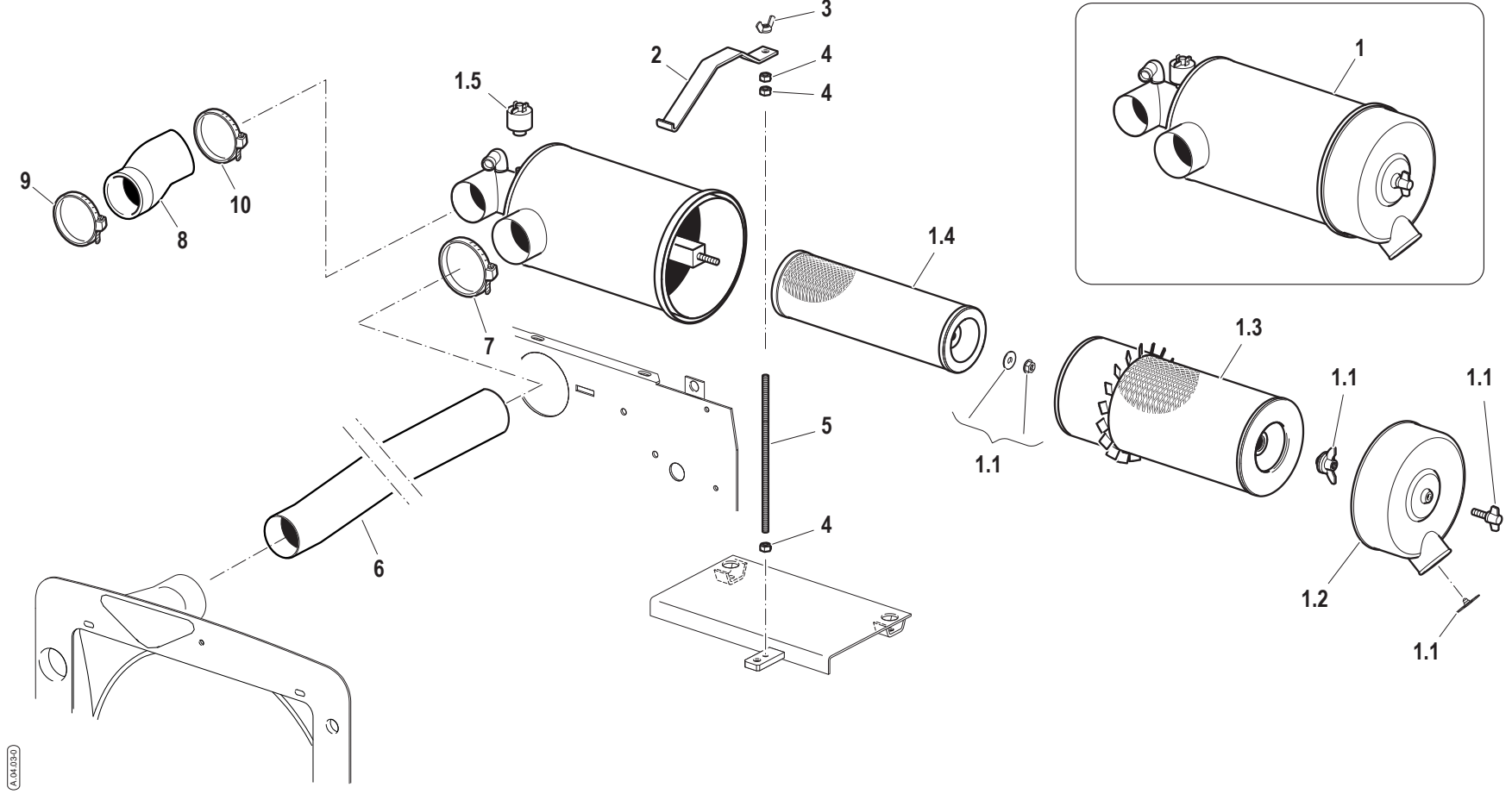
Pos.	Code	Q.ty	Description	Notes
1	58179335	1	RADIATOR	
2	57375461	1	CELLULAR FOAM	
3	F0256910000	1	FOAM PROFILE 5X20	
4	F0256809050	1	GASKET	
5	58179783	2	SILENT-BLOCK	
6	F0843755000	3	WASHER 10	
7	31112229	2	SCREW M10x22 UNI 5739	
8	59079626	1	FIXING BRACKET	
9	31152103	1	SCREW TCEI M10X25 UNI 5931	
10	56179627	1	RETAINER	
11	31112093	5	SCREW TE M6X20	
12	F0843570000	7	WASHER 6	
13	31211060	7	HEXAGONAL NUT M8	
14	F0849206005	1	SILENT-BLOCK	
15	31411066	5	WASHER 6,6x18	
16	55179622	1	SLEEVE	
17	55179621	1	SLEEVE	
18	58079703	1	SLEEVE	
19	58079620	1	SLEEVE	
20	F0817500700	1	CLAMP 057,5-706R	
21	F0817500470	2	CLAMP	
22	F0817500720	1	CLAMP 059,0-706	
23	F0817500820	2	CLAMP 063,5-706R	
24	F0817500500	1	CLAMP 048,5-706R	
25	P236340000000	1	CUP	
26	P236220000000	1	PLUG	
27	F0256612916	1	PIPE	
28	F0817500410	2	CLAMP 025,6-706R	
29	58078677	1	VENT HOSE	
30	F0817500200	4	CLAMP 015,7-706R	
31	58075873	1	VENT HOSE	
32	58179599	1	DUCT	
33	F0843643060	2	WASHER 8	
34	31111151	2	SCREW TE M8X16 UNI 5739 8G	

SERIAL

COOLER
Engine: 95 CV

CODE REV

A.03.03_0_55986



A.04.03_0

Pos.	Code	Q.ty	Description	Notes
1	58176755	1	AIR FILTER	
1.1	59900353	1	KIT	
1.2	59900347	1	COVER	
1.3	58171028	1	CARTOUCHE	
1.4	58171027	1	CARTOUCHE	
1.5	58175122	1	DIGITAL INSTRUMENT	
2	56174636	1	FIXING BRACKET	
3	31200501	1	NUT M8	
4	31211080	3	NUT M8	
5	56174635	1	ROD	
6	58076753	1	SUCTION PIPE	
7	F0817501200	1	CLAMP 077,0-706R	
8	58079781	1	SLEEVE	
9	F0817500800	1	CLAMP 062,0-706R	
10	F0817500900	1	CLAMP 069,5-706R	

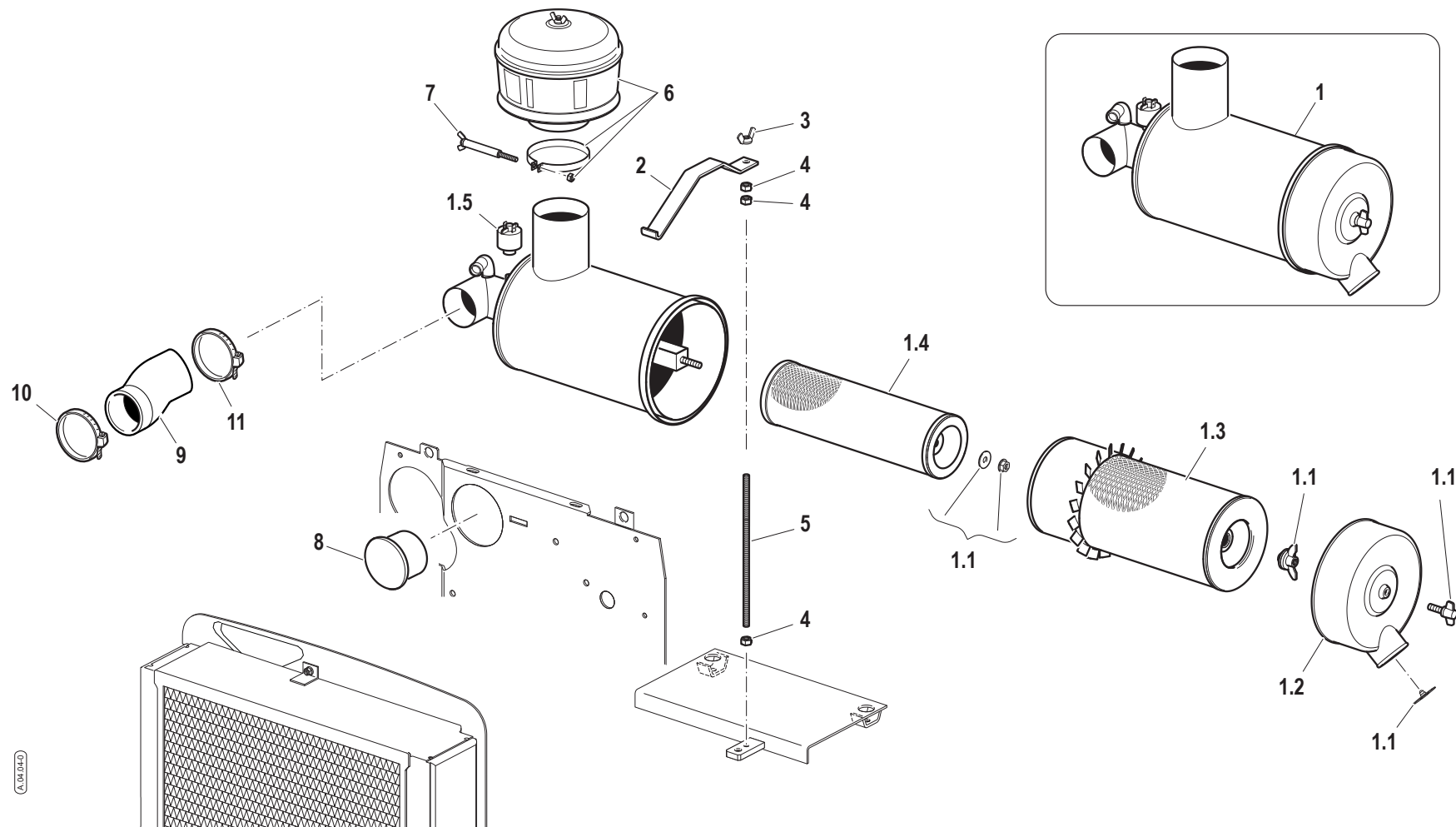
SERIAL

AIR FILTER
Engine: 85 CV

CODE REV

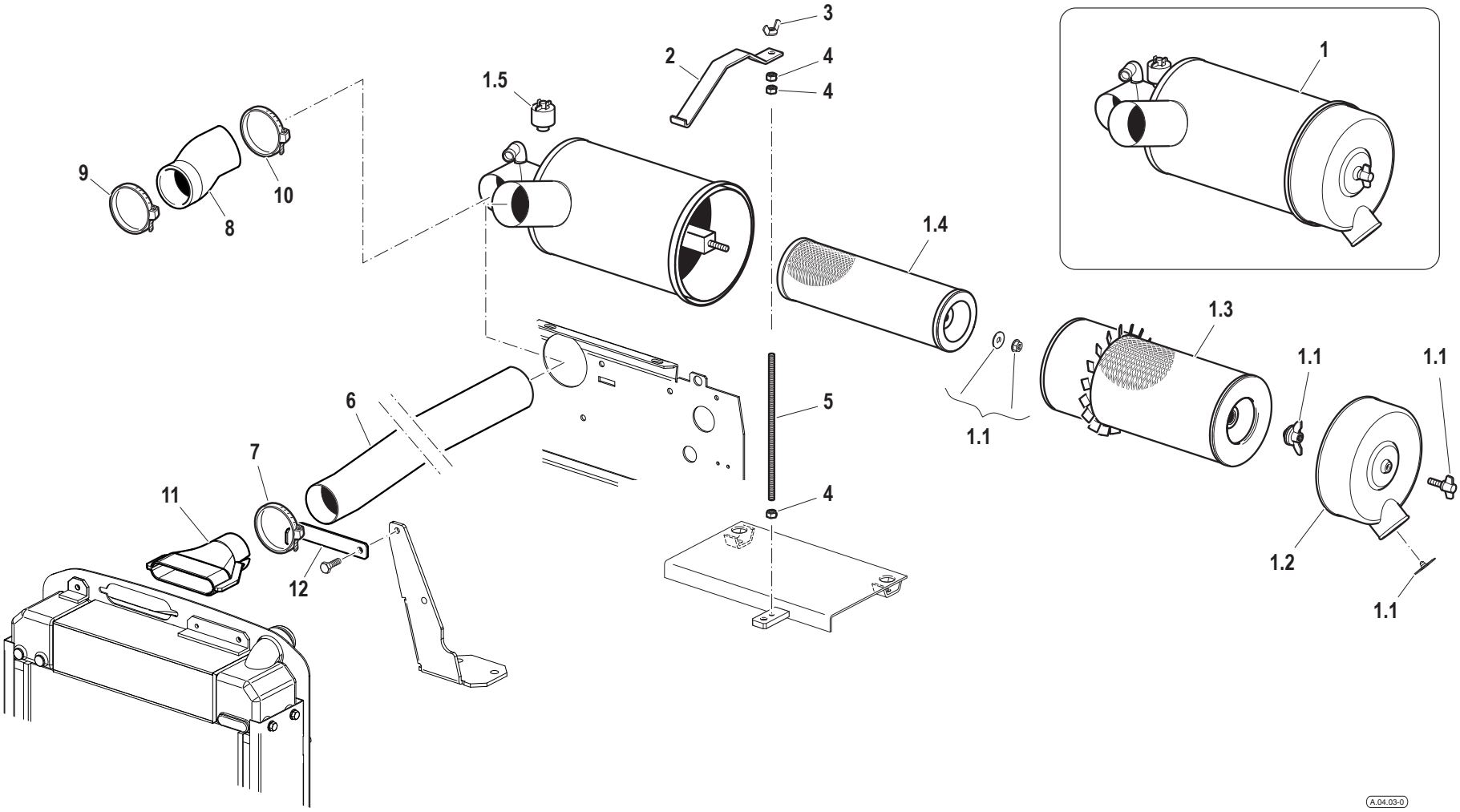
A.04.03_0_56022

AIR FILTER WITH EXTERNAL AIR INTAKE



Pos.	Code	Q.ty	Description	Notes
1	58176898	1	AIR FILTER	
1.1	59900353	1	KIT	
1.2	59900347	1	COVER	
1.3	58171028	1	CARTOUCHE	
1.4	58171027	1	CARTOUCHE	
1.5	58175122	1	DIGITAL INSTRUMENT	
2	56174636	1	FIXING BRACKET	
3	31200501	1	NUT M8	
4	31211080	3	NUT M8	
5	56174635	1	ROD	
6	58171069	1	PRECLEANER	
7	59073184	1	SCREW	
8	57377317	1	PLUG	
9	58079781	1	SLEEVE	
10	F0817500800	1	CLAMP 062,0-706R	
11	F0817500900	1	CLAMP 069,5-706R	

AIR FILTER



Pos.	Code	Q.ty	Description	Notes
1	58179618	1	FILTER	
2	56179619	1	FIXING BRACKET	
3	31200501	1	NUT M8	
4	31211080	3	NUT M8	
5	56174635	1	ROD	
6	58079631	1	SUCTION PIPE	
7	P493188000000	1	CLAMP	
8	58079659	1	SLEEVE	
9	F0817500800	1	CLAMP 062,0-706R	
10	F0817500900	1	CLAMP 069,5-706R	
11	57372341	1	SOCKET	
12	561A0259	1	FIXING BRACKET	

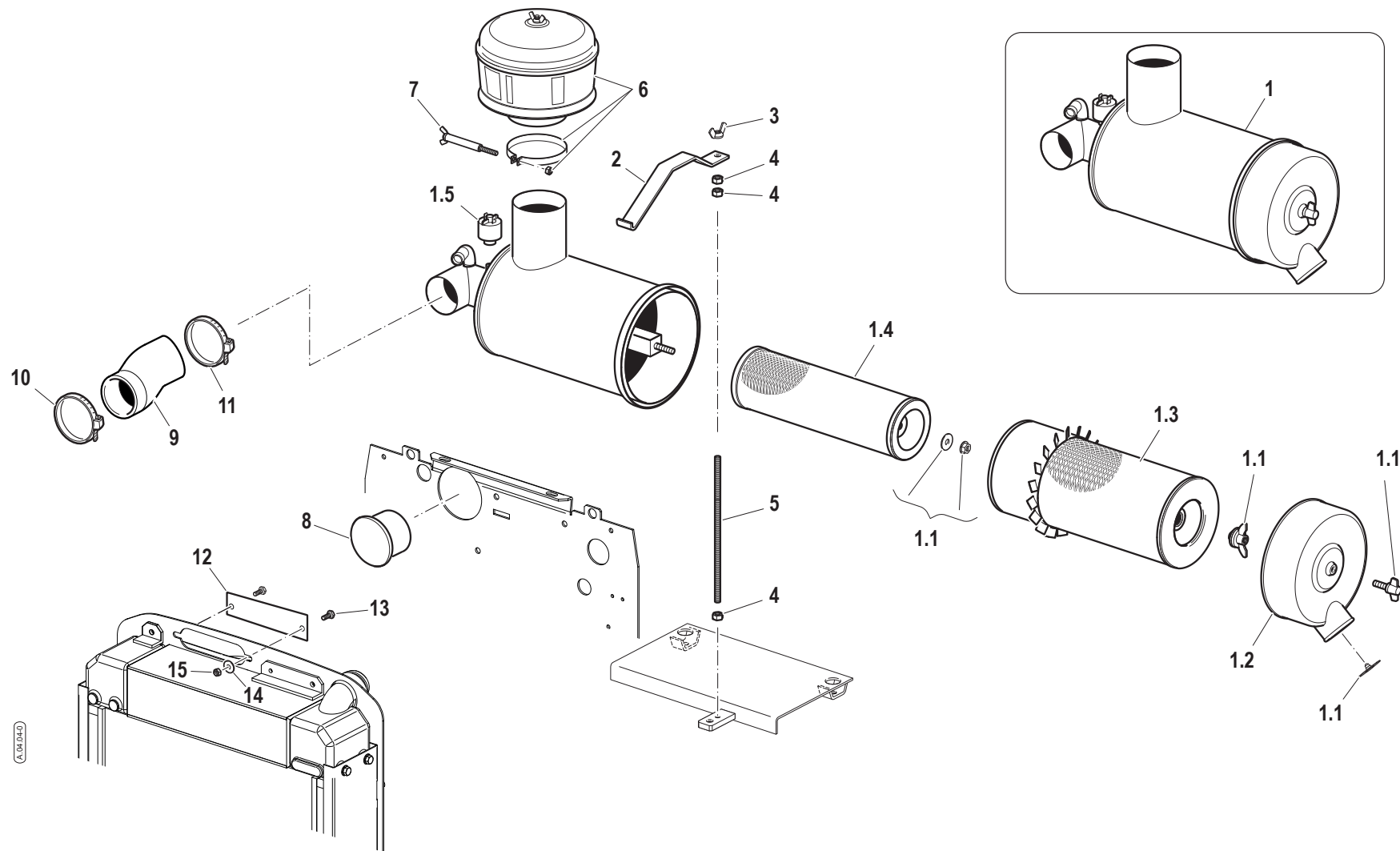
SERIAL

AIR FILTER
 Engine: 95 CV

CODE REV

A.04.05_0_56055

AIR FILTER WITH EXTERNAL AIR INTAKE



(A.04.06.0)

Pos.	Code	Q.ty	Description	Notes
1	58179780	1	FILTER	
1.1	59900353	1	KIT	
1.2	59900347	1	COVER	
1.3	58171028	1	CARTOUCHE	
1.4	58171027	1	CARTOUCHE	
1.5	58175122	1	DIGITAL INSTRUMENT	
2	56179619	1	FIXING BRACKET	
3	31200501	1	NUT M8	
4	31211080	3	NUT M8	
5	56174635	1	ROD	
6	58171069	1	PRECLEANER	
7	59073184	1	SCREW	
8	58178715	1	PASSING	
9	58079659	1	SLEEVE	
10	F0817500800	1	CLAMP 062,0-706R	
11	F0817500900	1	CLAMP 069,5-706R	
12	56179784	1	STRIKER PLATE	
13	31112090	2	SCREW TE M6X16 UNI 5739 8G	
14	31411064	2	WASHER 6,4x12,5	
15	F0814545000	2	NUT M6	

SERIAL

AIR FILTER WITH EXTERNAL AIR INTAKE

Engine: 95 CV

CODE REV

A.04.06_0_56068

Pos.	Code	Q.ty	Description	Notes
1	55276745	1	TANK	
1.1	F0849500001	1	TANK COVER	
1.2	F0849500002	1	FILTER	
1.3	57174915	1	PIPE FITTING	
2	57371900	1	LINING	
3	58170238	1	CONTROL	
4	F0861867050	6	SCREW M4,2X19 DIN 7981	
5	56174635	1	ROD	
6	56077608	2	ROD	
7	56176716	1	SPACER	
8	56176696	2	SPACER D.14x9/155,5	
9	56176814	3	SPACER D.55x8/4	
10	31211080	6	NUT M8	
11	58076752	3	STOPPER	
12	59076685	1	BATTERY SUPPORT	
13	59077933	1	SUPPORT	
14	31111218	2	SCREW TE M10X140 UNI 5737 8G	
15	F0843755000	2	WASHER 10	
16	59076870	1	COVER	
17	59077935	1	FIXING BRACKET	
18	F0862481000	2	SCREW M8x16 UNI 5933	
19	58070690	1	PIPE	
20	F0817500200	4	CLAMP 015,7-706R	
21	58074895	1	PIPE	
22	58171901	1	CABLE GLAND 15,5-24-32-2	
23/1	59076679	1	DIVISION	
23/2	59079615	1	DIVISION	
24	F0862464050	2	SCREW UNI 5931	
25	F0825414000	2	CABLE GLAND 7-15-18,5-2,5	
26/1	59076686	1	BRACKET	
26/2	59079629	1	BRACKET	
27	31112096	2	SCREW TE M6X85 UNI 5737 8G	
28	F0843570000	2	WASHER 6	
29	31111151	1	SCREW TE M8X16 UNI 5739 8G	

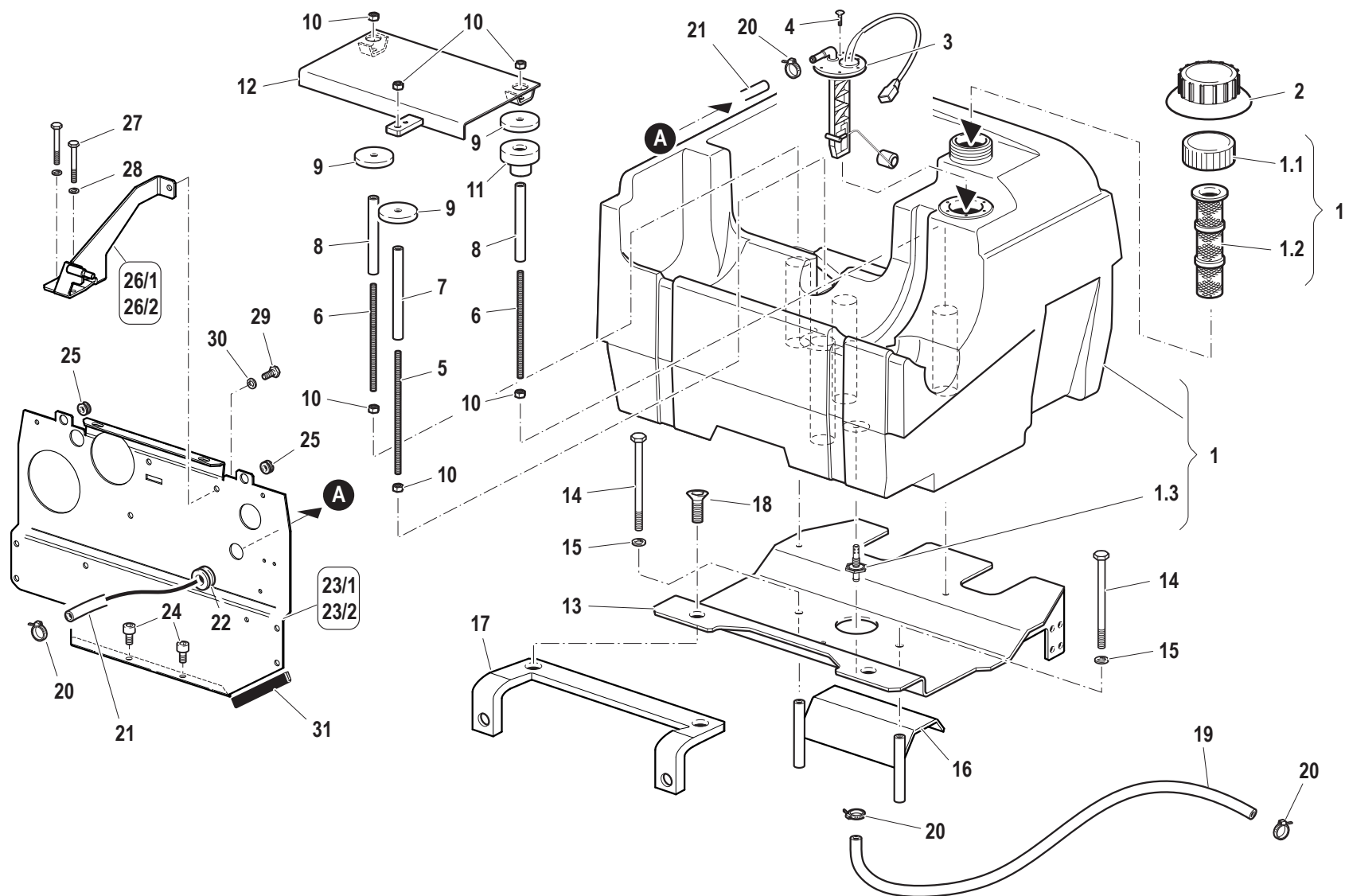
SERIAL

FUEL TANK

CODE REV

A.05.01_0_56089

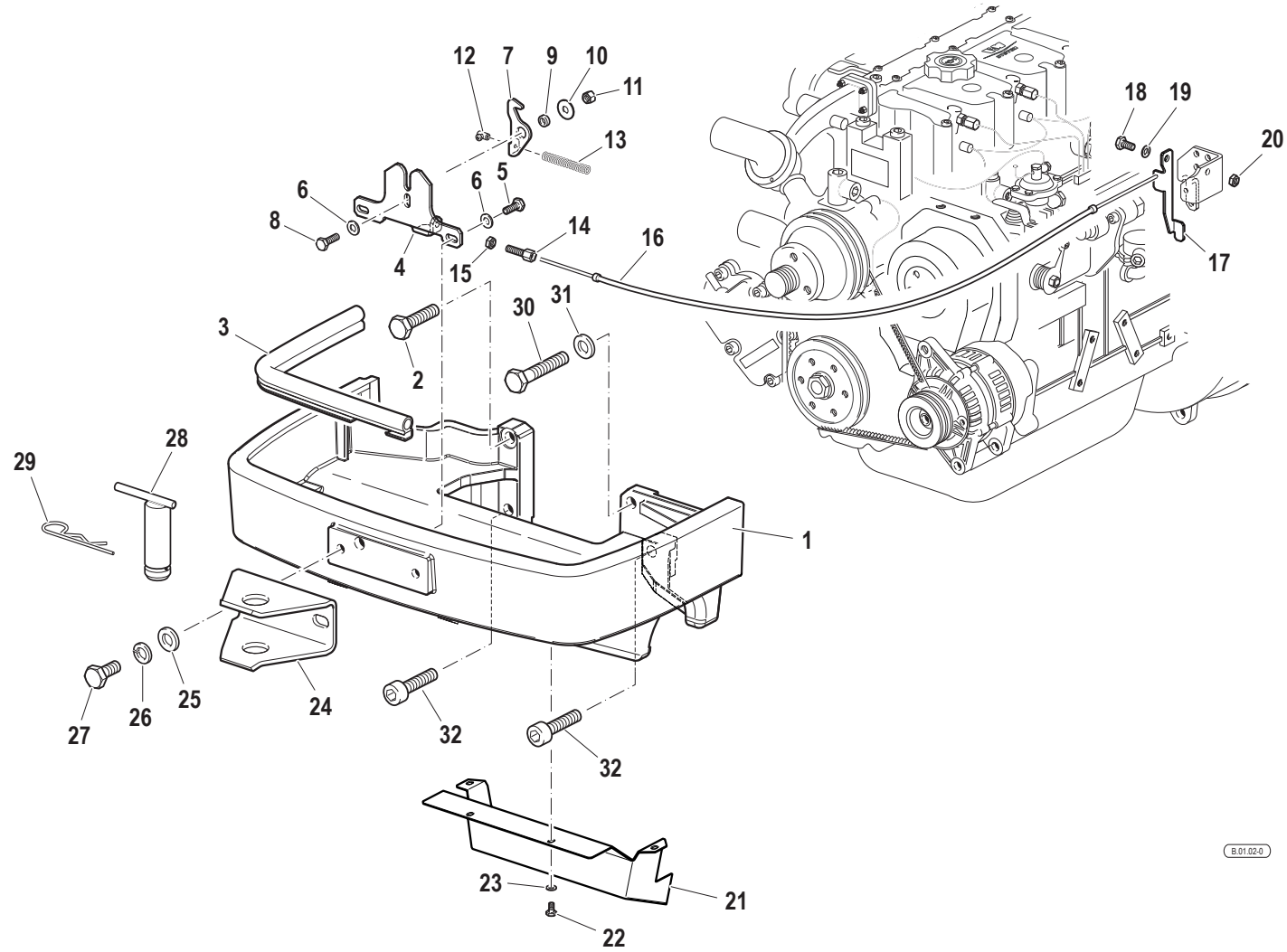
FUEL TANK



A.05.01.0

Pos.	Code	Q.ty	Description	Notes
30	F0843643060	1	WASHER 8	
31	F0256808000	1	FLAT BAND	

FRONT SUPPORT



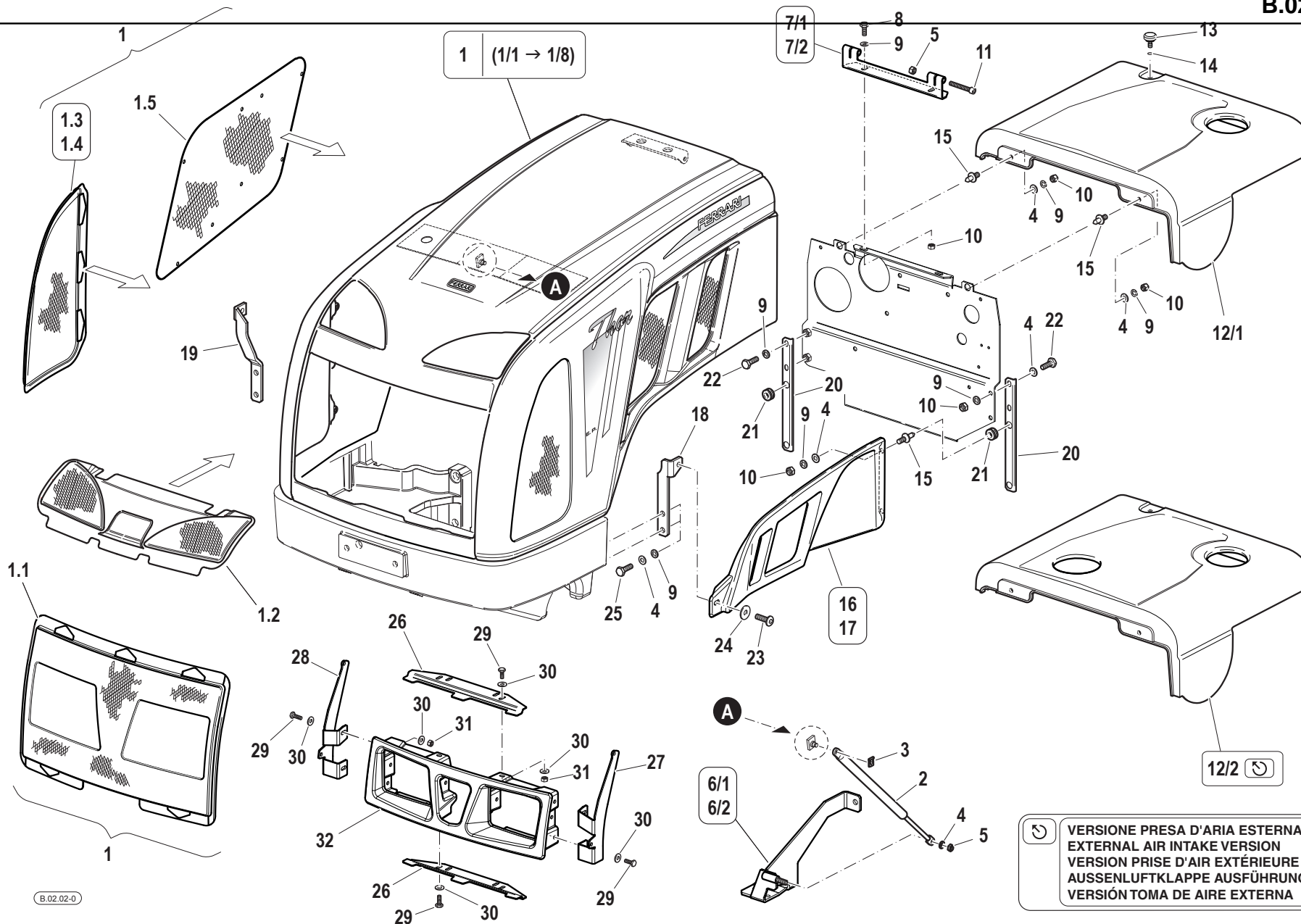
Pos.	Code	Q.ty	Description	Notes
1	51179548	1	FRONT SUPPORT	
2	31111331	1	SCREW TE M14X50 UNI5739 8G	
3	28177274	1	GASKET RIF.182400153.945	
4	56179625	1	FIXING BRACKET	
5	31112150	2	SCREW TE M8X20 UNI 5739 8G	
6	31411084	3	WASHER 8,4x17	
7	56174658	1	HOOD HOOK	
8	31112151	1	SCREW TE M8X25 UNI 5739 8G	
9	56174659	1	SPACER	
10	31411090	1	WASHER 9x24	
11	31241080	1	HEXAGON SELFLOCK NUT M8	
12	58048002	1	CLAMPING SCREW	
13	F0831065000	1	SPRING	
14	56177656	1	REGISTER	
15	31231080	1	NUT M8	
16	58074831	1	CABLE	
17	56177643	1	LEVER	
18	31111151	1	SCREW TE M8X16 UNI 5739 8G	
19	F0843643060	1	WASHER 8	
20	F0814569000	1	NUT	
21	59079617	1	COVER	
22	31112082	4	SCREW TE M6X12 UNI 5739 8G	
23	F0843570000	4	WASHER 6	
24	56174873	1	TOW HOOK	
25	31112328	2	SCREW TE M14X35 UNI 5739	
26	F0843921030	2	WASHER 14	
27	31411150	2	WASHER 15x28	
28	59075283	1	PIN	
29	F0851497000	1	SPLIT PIN	
30	F0864335020	1	SCREW M14X120 UNI 5737	
31	31421251	1	WASHER	
32	F0864290010	2	SCREW M14X50 UNI 5931	

SERIAL


FRONT SUPPORT
 Engine: 85 CV, 95 CV

CODE REV

B.01.02_0_56437



B.02.02-0


VERSIONE PRESA D'ARIA ESTERNA
EXTERNAL AIR INTAKE VERSION
VERSION PRISE D'AIR EXTÉRIEURE
AUSSENLUFTKLAPPE AUSFÜHRUNG
VERSIÓN TOMA DE AIRE EXTERNA

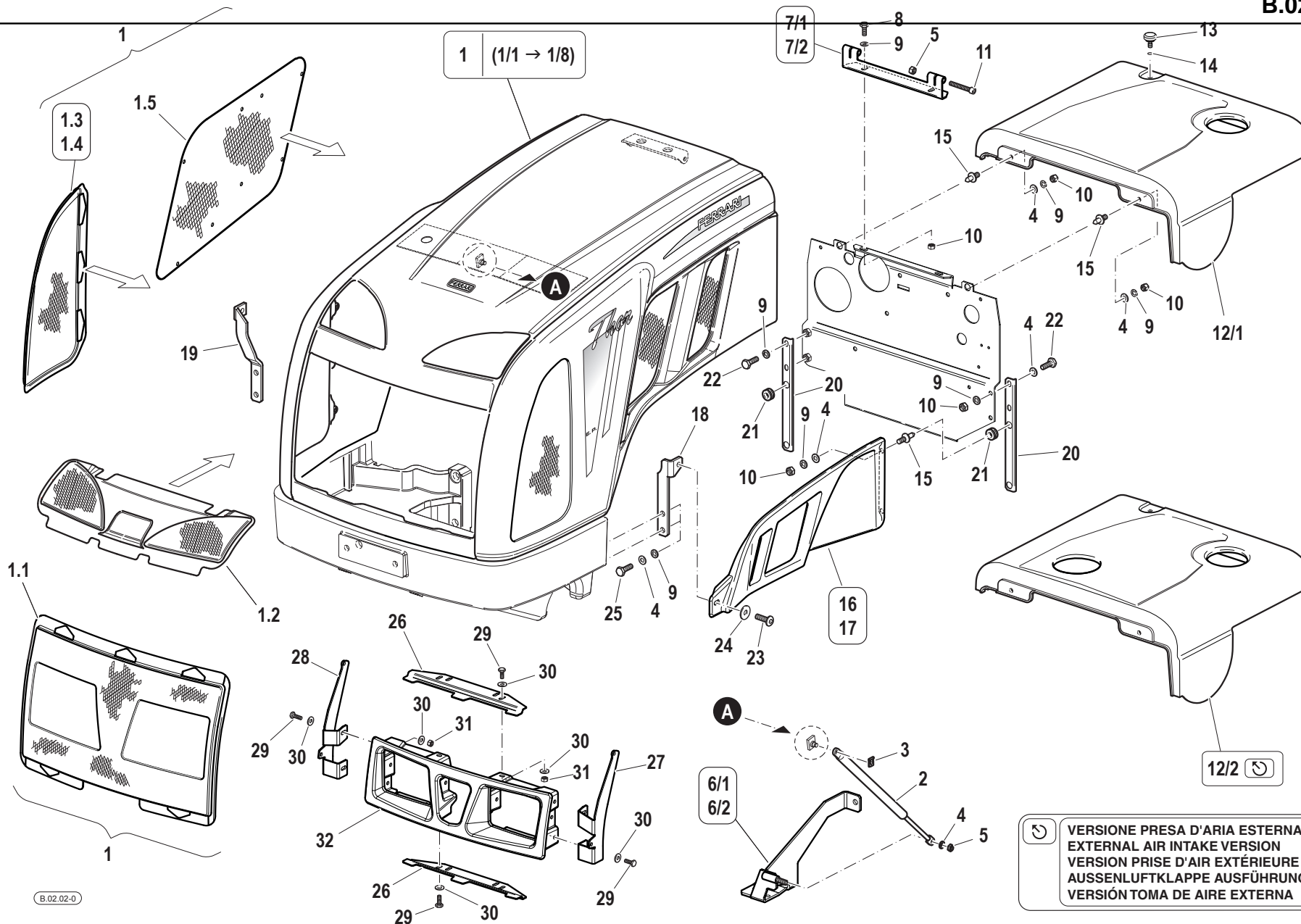
Pos.	Code	Q.ty	Description	Notes
1.1	56079442N	1	GRIGLIA FRONT.75-95(NERA)	
1/1	59901144	1	COMPLETE HOOD	
1/2	59901145	1	COMPLETE HOOD	
1.2	56076933N	1	GRIGL.FRONT.SUP. ORION (NERA)	
1/3	59901146	1	COMPLETE HOOD	
1.3	56076928N	1	SIDE GRILL	
1.4	56076929N	1	SIDE GRILL	
1/4	59901147	1	COMPLETE HOOD	
1/5	59901150	1	COMPLETE HOOD	
1.5	56076930N	1	GRIG.PIANA SX-DX 75-95(NERA)	
1/6	59901151	1	COMPLETE HOOD	
1/7	59901152	1	COMPLETE HOOD	
1/8	59901153	1	COMPLETE HOOD	
2	58092972	1	SPRING	
3	58170436	1	CLIP	
4	31411084	6	WASHER 8,4x17	
5	F0814585000	3	SELFLOCK NUT	
6/1	59076686	1	BRACKET	
6/2	59079629	1	BRACKET	
7/1	56179549	1	PROTECTIVE YOKE	
7/2	56179616	1	PROTECTIVE YOKE	
8	31112150	2	SCREW TE M8X20 UNI 5739 8G	
9	F0843643060	6	WASHER 8	
10	31211080	6	NUT M8	
11	31152088	2	SCREW TCEI M8X55 UNI 5931	
12/1	57376670	1	COVER	
12/2	57376899	1	COVER	
13	56174835	1	KNOB	
14	35211060	1	SEEGER RING	
15	59074662	6	PIN	
16	58076984V	1	FIANCHETTO DX VERDE 75-95 **	
17	58076987V	1	FIANCHETTO SX VERDE 75-95 **	
18	56176693	1	BRACKET	
19	56176692	1	BRACKET	

SERIAL

BONNET

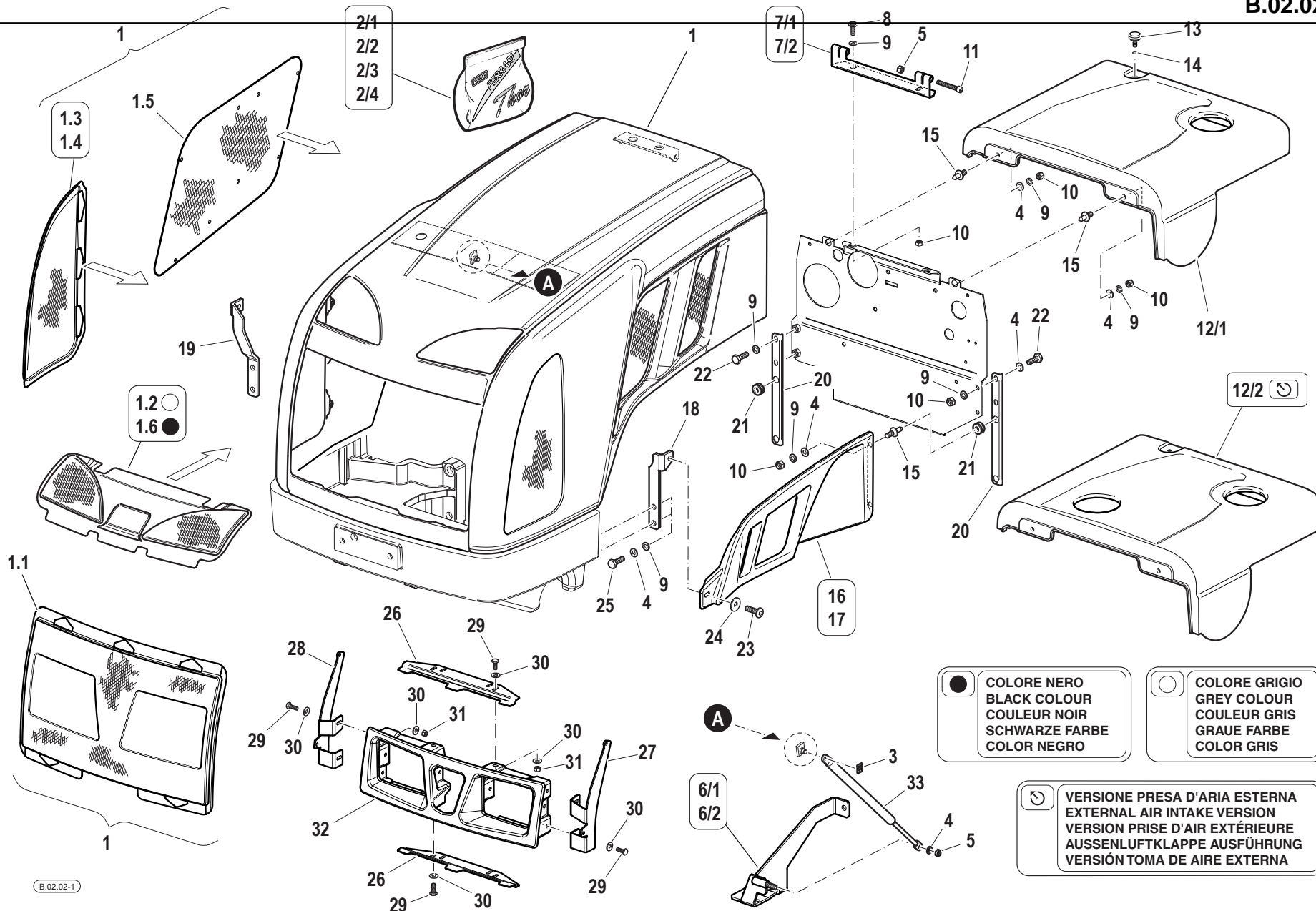
CODE REV

B.02.02_0_56470



Pos.	Code	Q.ty	Description	Notes
20	56176895	2	BRACKET	
21	F0825414000	4	CABLE GLAND 7-15-18,5-2,5	
22	31112149	4	SCREW TE M8X12 UNI 5739 8G	
23	F0862479020	1	SCREW M8X16 7380	
24	31411090	1	WASHER 9x24	
25	31111151	2	SCREW TE M8X16 UNI 5739 8G	
26	56179447	2	SUPPORTING YOKE	
27	56179443	1	FIXING BRACKET	
28	56179444	1	BRACKET	
29	31112093	8	SCREW TE M6X20	
30	31411066	16	WASHER 6,6x18	
31	F0814547000	8	SELFLOCK NUT M6	
32	57379438	1	FRONT GRILLE	

BONNET



● COLORE NERO
 BLACK COLOUR
 COULEUR NOIR
 SCHWARZE FARBE
 COLOR NEGRO

○ COLORE GRIGIO
 GREY COLOUR
 COULEUR GRIS
 GRAUE FARBE
 COLOR GRIS

↻ VERSIONE PRESA D'ARIA ESTERNA
 EXTERNAL AIR INTAKE VERSION
 VERSION PRISE D'AIR EXTÉRIEURE
 AUSSENLUFTKLAPPE AUSFÜHRUNG
 VERSIÓN TOMA DE AIRE EXTERNA

Pos.	Code	Q.ty	Description	Notes
1	590A1430V	1	COF.FERR. THOR 85-95 VERDE **	
1.1	56079442N	1	GRIGLIA FRONT.75-95(NERA)	
1.2	56076933H	1	GRIGL.FRON.SUP. ORION (GRIGIA)	
1.3	56076928N	1	SIDE GRILL	
1.4	56076929N	1	SIDE GRILL	
1.5	56076930N	1	GRIG.PIANA SX-DX 75-95(NERA)	
1.6	56076933N	1	GRIGL.FRONT.SUP. ORION (NERA)	
2/1	59901384	1	KIT ADES COFANO THOR 85 RS	
2/2	59901385	1	KIT ADES COFANO THOR 95 RS	
2/3	59901387	1	KIT ADES COFANO THOR 85 AR	
2/4	59901388	1	KIT ADES COFANO THOR 95 AR	
3	58170436	1	CLIP	
4	31411084	6	WASHER 8,4x17	
5	F0814585000	3	SELFLOCK NUT	
6/1	59076686	1	BRACKET	
6/2	59079629	1	BRACKET	
7/1	56179549	1	PROTECTIVE YOKE	
7/2	56179616	1	PROTECTIVE YOKE	
8	31112150	2	SCREW TE M8X20 UNI 5739 8G	
9	F0843643060	6	WASHER 8	
10	31211080	6	NUT M8	
11	31152088	2	SCREW TCEI M8X55 UNI 5931	
12/1	573A1473V	1	COP.SERBAT(A1473)VERDE 6029 **	
12/2	573A1474V	1	COP.SERBAT(A1474)VERDE 6029 **	
13	56174835	1	KNOB	
14	35211060	1	SEEGER RING	
15	59074662	6	PIN	
16	58076984	1	RIGHT SIDE PANEL	
17	58076987	1	LEFT SIDE PANEL	
18	56176693	1	BRACKET	
19	56176692	1	BRACKET	
20	56176895	2	BRACKET	
21	F0825414000	4	CABLE GLAND 7-15-18,5-2,5	
22	31112149	4	SCREW TE M8X12 UNI 5739 8G	

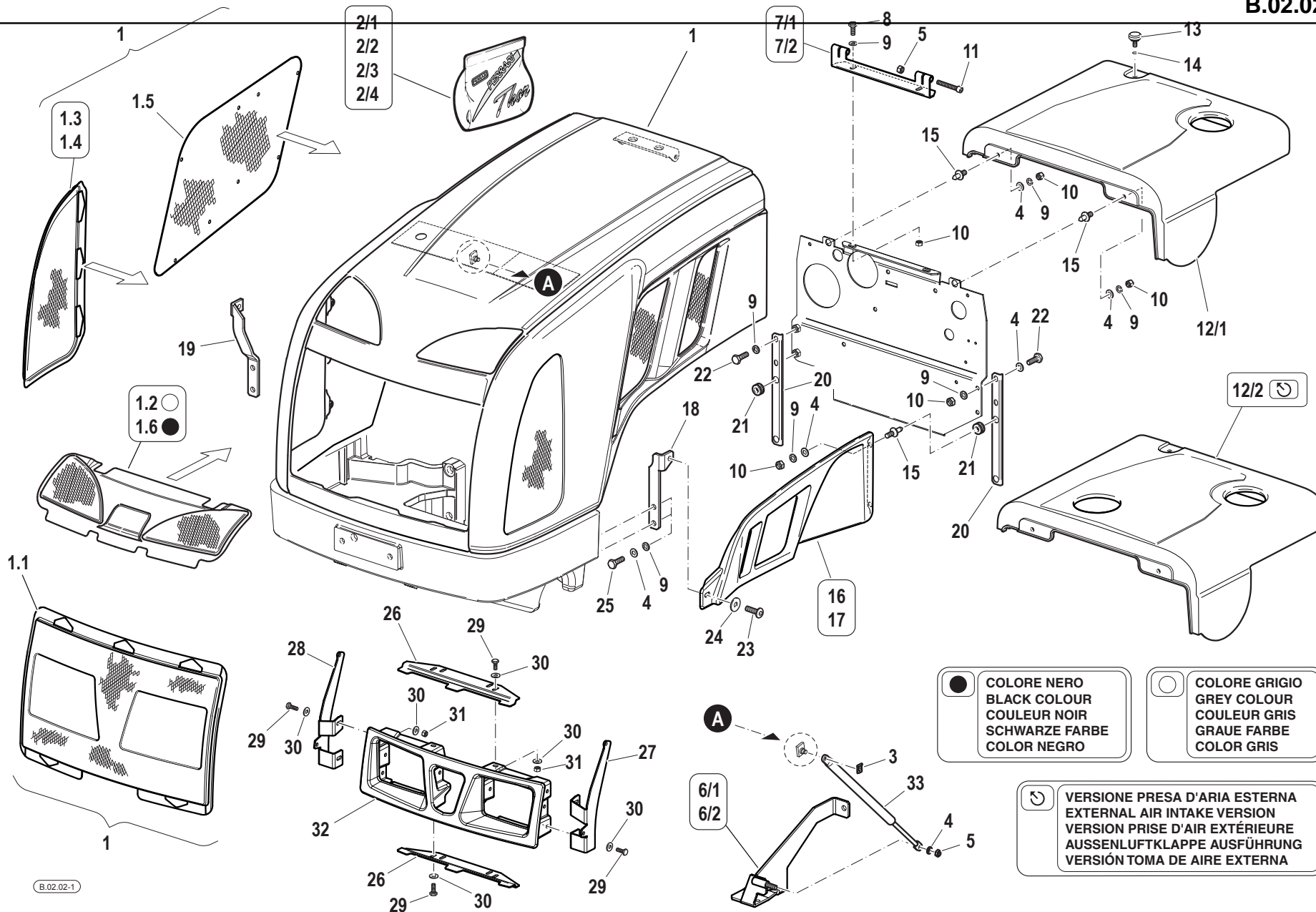
SERIAL

BONNET

CODE REV

B.02.02_1_76209

BONNET



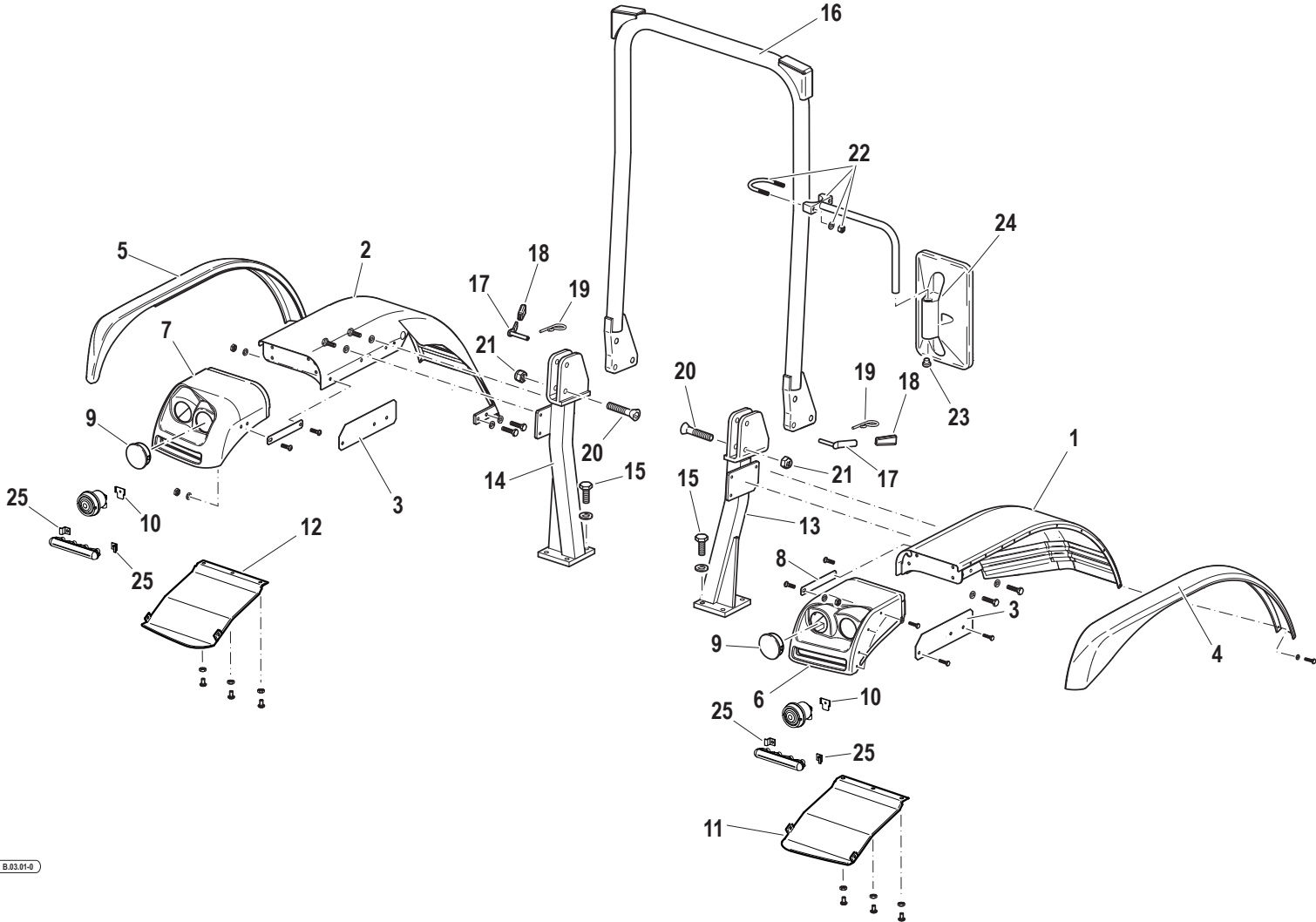
● COLORE NERO
 BLACK COLOUR
 COULEUR NOIR
 SCHWARZE FARBE
 COLOR NEGRO

○ COLORE GRIGIO
 GREY COLOUR
 COULEUR GRIS
 GRAUE FARBE
 COLOR GRIS

↻ VERSIONE PRESA D'ARIA ESTERNA
 EXTERNAL AIR INTAKE VERSION
 VERSION PRISE D'AIR EXTÉRIEURE
 AUSSENLUFTKLAPPE AUSFÜHRUNG
 VERSIÓN TOMA DE AIRE EXTERNA

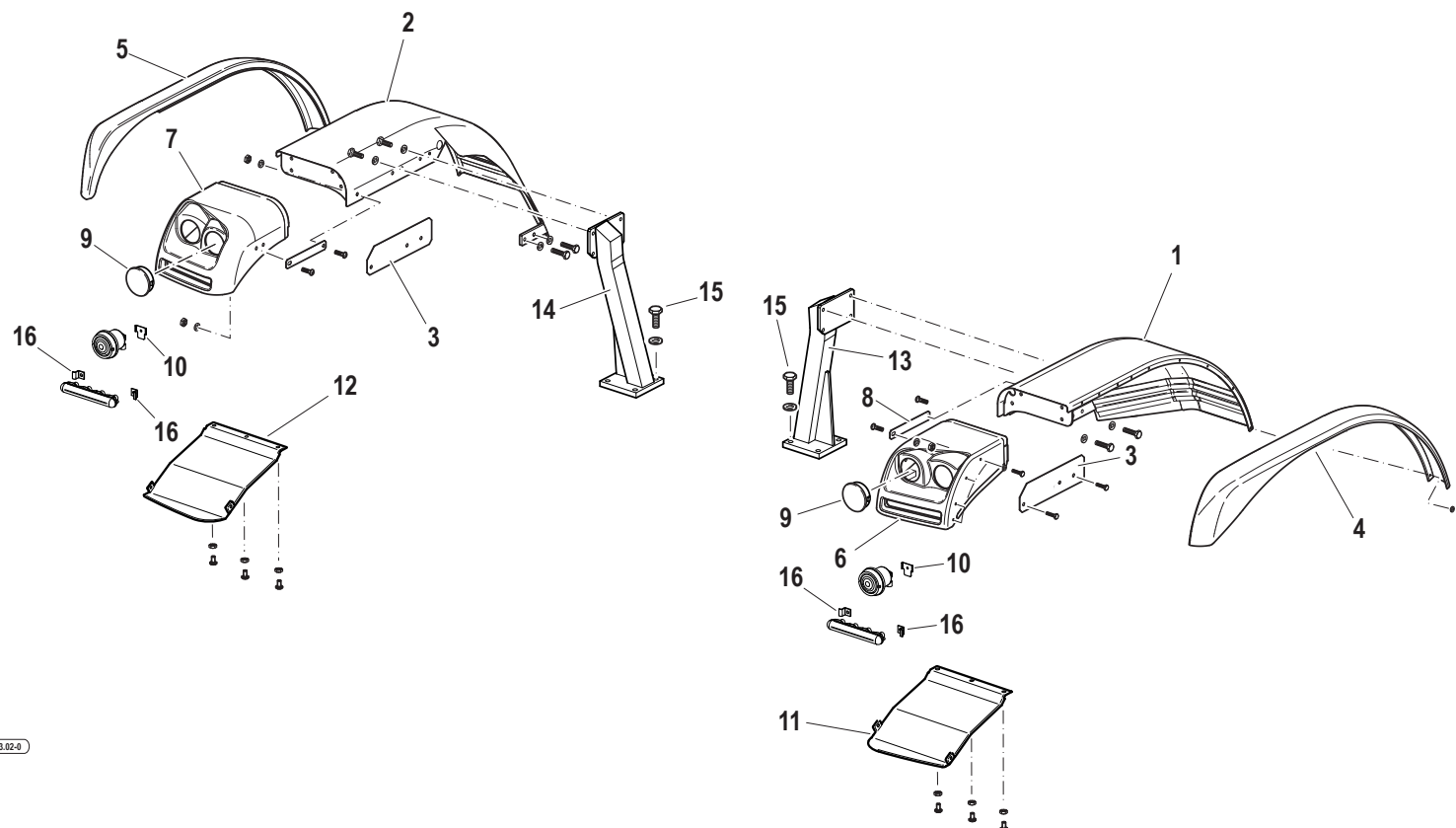
Pos.	Code	Q.ty	Description	Notes
23	F0862479020	1	SCREW M8X16 7380	
24	31411090	1	WASHER 9x24	
25	31111151	2	SCREW TE M8X16 UNI 5739 8G	
26	56179447	2	SUPPORTING YOKE	
27	56179443	1	FIXING BRACKET	
28	56179444	1	BRACKET	
29	31112093	8	SCREW TE M6X20	
30	31411066	16	WASHER 6,6x18	
31	F0814547000	8	SELFLOCK NUT M6	
32	57379438	1	FRONT GRILLE	
33	58092972	1	SPRING	

FRONT MUDGUARDS



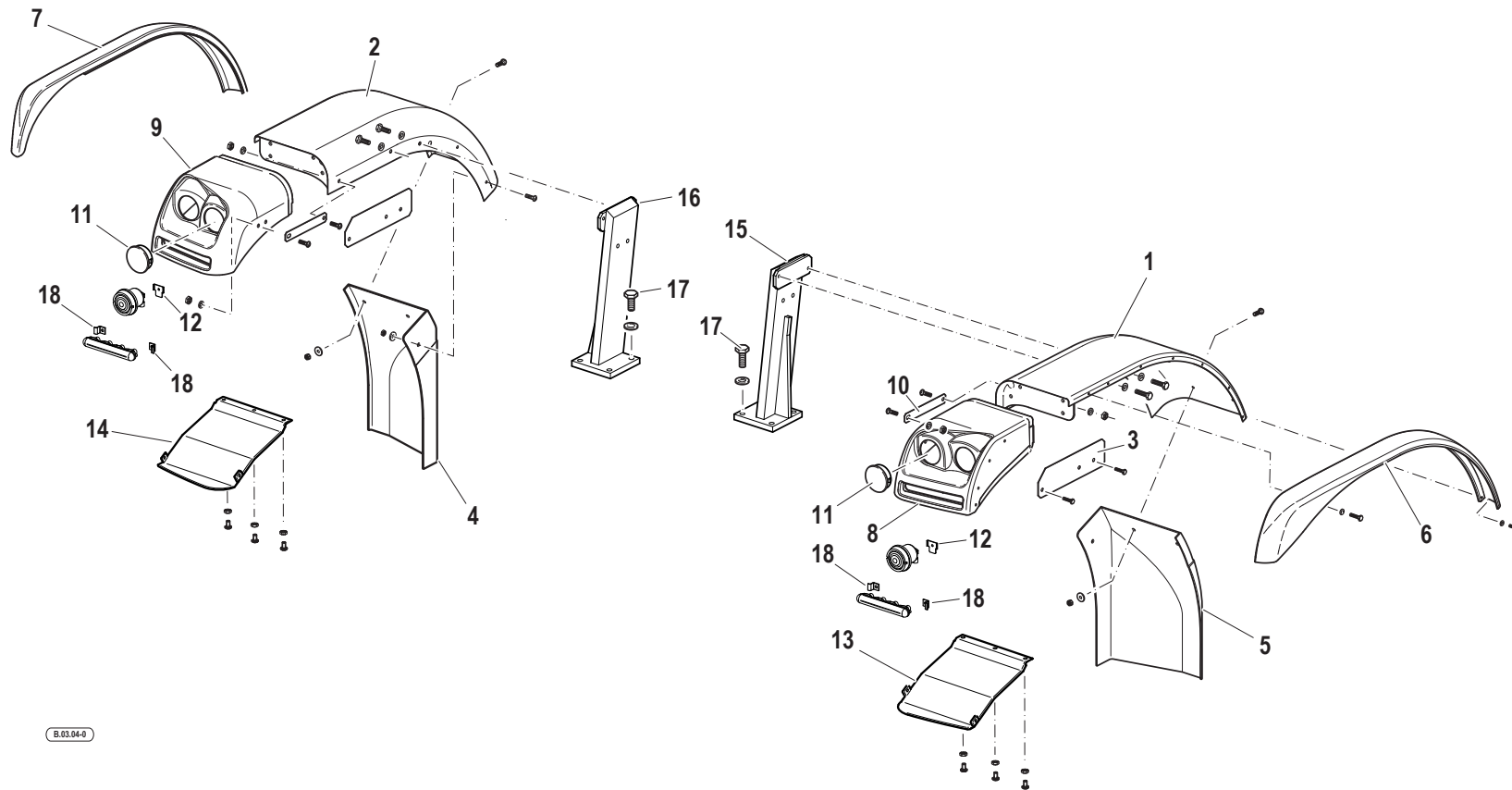
Pos.	Code	Q.ty	Description	Notes
1	59076649V	1	LEFT FRONT FENDER	
2	59076653V	1	RIGHT FRONT FENDER	
3	56177256	2	GUARD	
4	57376677	1	WING EXTENSION	
5	57376678	1	WING EXTENSION	
6	57376621	1	SUPPORT	
7	57376622	1	SUPPORT	
8	56177326	2	RETAINER	
9	58179414	2	PLUG	
10	56179445	1	FIXING PLATE	
11	56176906	1	COVER	
12	56176905	1	COVER	
13	59076615	1	SUPPORT	
14	59076613	1	SUPPORT	
15	31112264	8	SCREW TE M12X35 UNI 5739	
16	59077412	1	SAFETY ROLL BAR	
17	59076690	2	HINGE PIN	
18	P917280000000	2	GRIP	
19	P439149000000	2	SPLIT PIN	
20	F0864377000	2	SCREW M16X70 UNI 5737	
21	F0814794000	2	SELFLOCK NUT M16 CL.6	
22	59070591	1	SUPPORT	
23	58170968	1	PLUG	
24	30000514	1	REAR VIEW MIRROR	
25	56177045	8	RETAINER	

FRONT MUDGUARDS (VERSION WITH CAB)

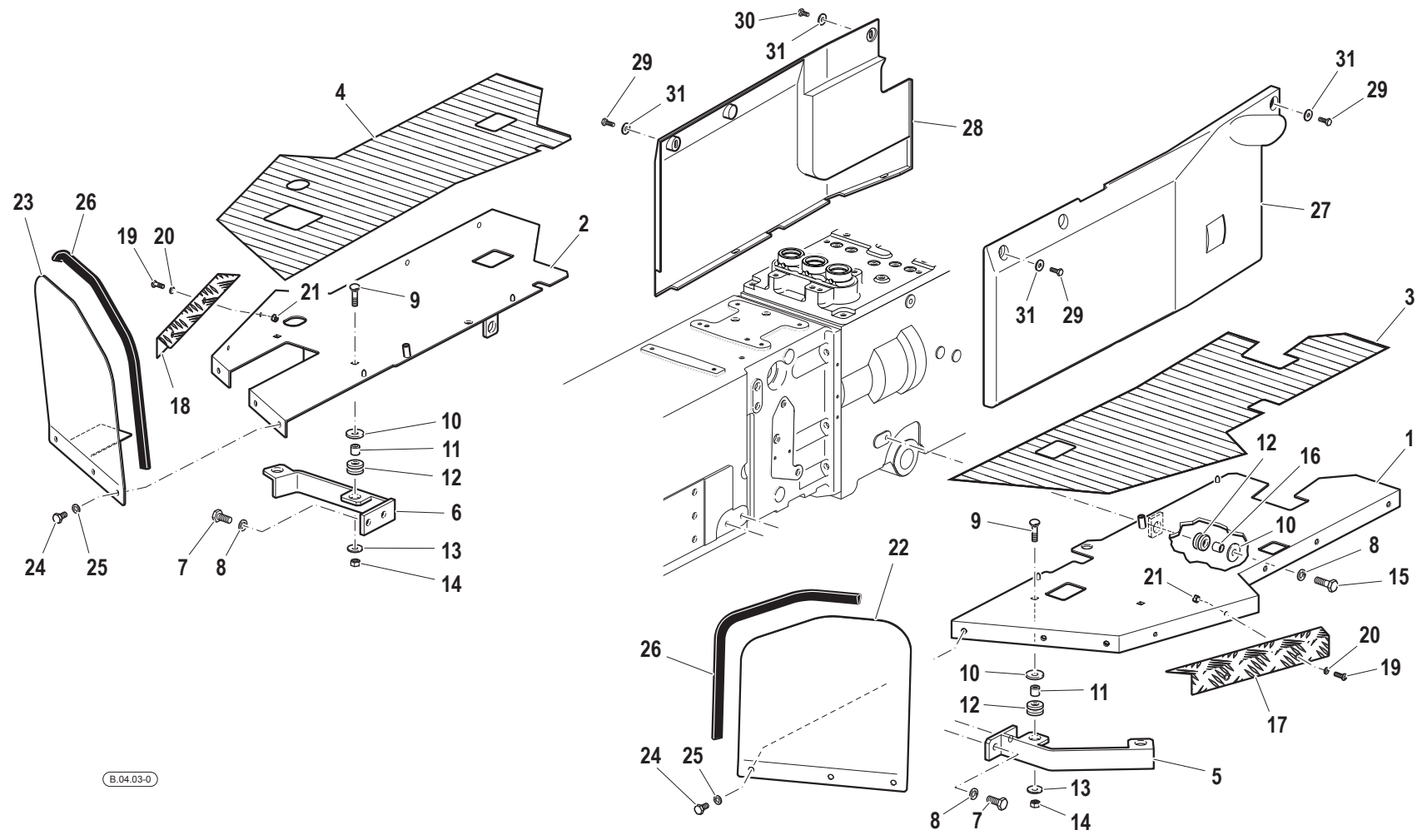


Pos.	Code	Q.ty	Description	Notes
1	59076649V	1	LEFT FRONT FENDER	
2	59076653V	1	RIGHT FRONT FENDER	
3	56177256	2	GUARD	
4	57376677	1	WING EXTENSION	
5	57376678	1	WING EXTENSION	
6	57376621	1	SUPPORT	
7	57376622	1	SUPPORT	
8	56177326	2	RETAINER	
9	58179414	2	PLUG	
10	56179445	1	FIXING PLATE	
11	56176906	1	COVER	
12	56176905	1	COVER	
13	59077057	1	WING HOLDER	
14	59077058	1	WING HOLDER	
15	31112264	8	SCREW TE M12X35 UNI 5739	
16	56177045	8	RETAINER	

FRONT MUDGUARDS (VERSION WITH CAB)

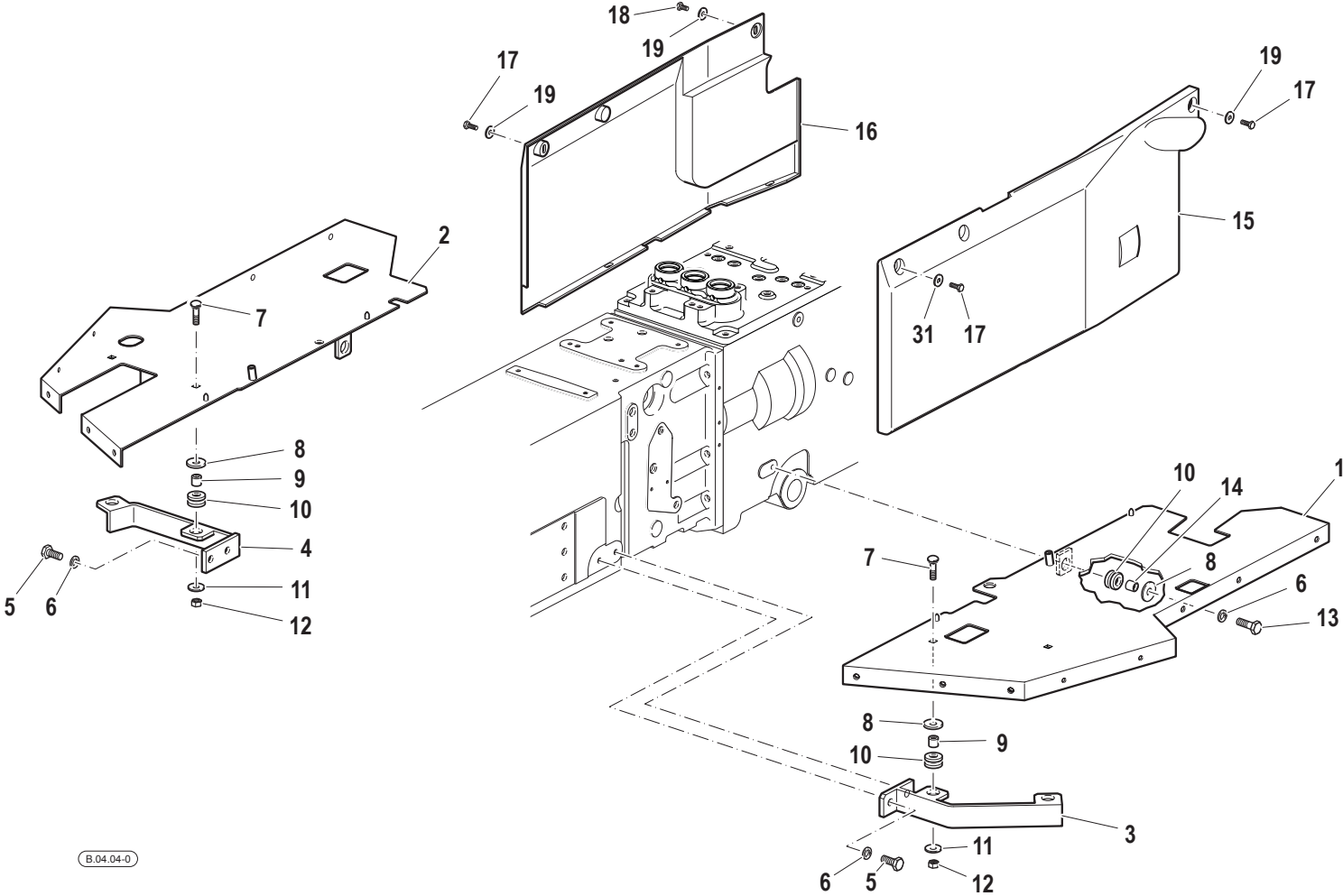


Pos.	Code	Q.ty	Description	Notes
1	59076645V	1	LEFT FRONT FENDER	
2	59076641V	1	RIGHT FRONT FENDER	
3	56177256	2	GUARD	
4	57374522	1	WING EXTENSION	
5	57374523	1	WING EXTENSION	
6	57376675	1	WING EXTENSION	
7	57376676	1	WING EXTENSION	
8	57376621	1	SUPPORT	
9	57376622	1	SUPPORT	
10	56177326	2	RETAINER	
11	58179414	2	PLUG	
12	56179445	1	FIXING PLATE	
13	56176906	1	COVER	
14	56176905	1	COVER	
15	59077055	1	WING HOLDER	
16	59077056	1	WING HOLDER	
17	31112264	8	SCREW TE M12X35 UNI 5739	
18	56177045	8	RETAINER	



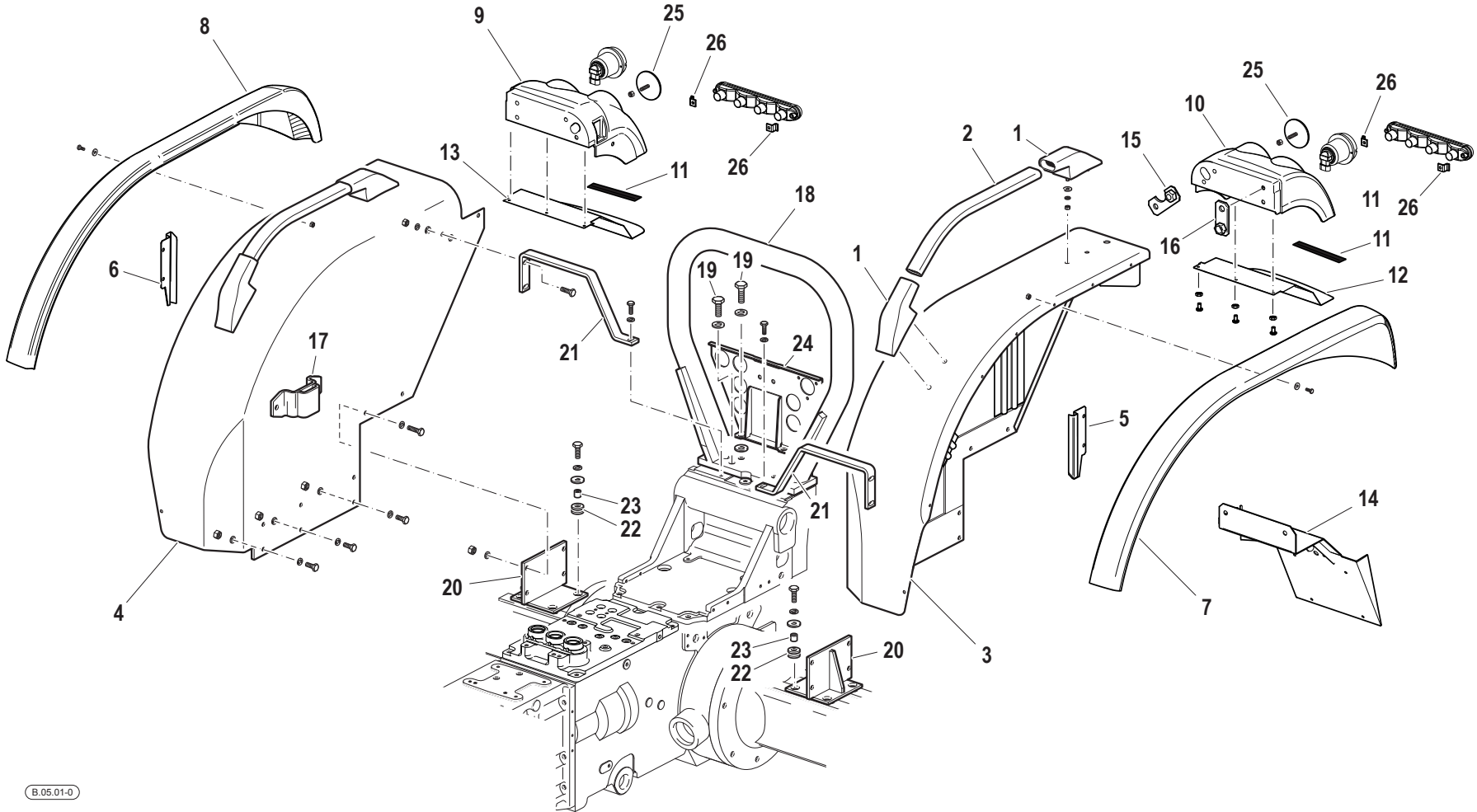
B.04.03-0

Pos.	Code	Q.ty	Description	Notes
1	59074597	1	LEFT FOOTBOARD	
2	59074596	1	RIGHT FOOTBOARD	
3	57374591	1	FOOTREST COVER	
4	57374590	1	FOOTREST COVER	
5	59074351	1	SUPPORT	
6	59073674	1	SUPPORT	
7	31112219	4	SCREW TE M10X25 UNI 5739	
8	F0843755000	6	WASHER 10	
9	31122804	4	SCREW	
10	F0843818000	6	WASHER	
11	56171996	4	SPACER	
12	55175174	6	BLOCK	
13	31411090	4	WASHER 9x24	
14	31211080	4	NUT M8	
15	31112211	2	SCREW TE M10X30 UNI 5739	
16	56171954	2	SPACER	
17	57275032	1	ANGULAR	
18	57275033	1	ANGULAR	
19	F0862479035	4	SCREW	
20	F0843570000	4	WASHER 6	
21	31211060	4	HEXAGONAL NUT M8	
22	56174527	1	FOOTBOARD PROTECTION	
23	59074782	1	FOOTBOARD PROTECTION	
24	31112149	6	SCREW TE M8X12 UNI 5739 8G	
25	F0843643060	6	WASHER 8	
26	F0256808000	1	FLAT BAND	
27	57374533	1	GUARD	
28	57374536	1	GUARD	
29	F0862479035	3	SCREW	
30	F0862479034	1	SCREW M6X12 7380	
31	31411066	4	WASHER 6,6x18	



Pos.	Code	Q.ty	Description	Notes
1	59074597	1	LEFT FOOTBOARD	
2	59074596	1	RIGHT FOOTBOARD	
3	59074351	1	SUPPORT	
4	59073674	1	SUPPORT	
5	31112219	4	SCREW TE M10X25 UNI 5739	
6	F0843755000	6	WASHER 10	
7	31122804	4	SCREW	
8	F0843818000	6	WASHER	
9	56171996	4	SPACER	
10	55175174	6	BLOCK	
11	31411090	4	WASHER 9x24	
12	31211080	4	NUT M8	
13	31112211	2	SCREW TE M10X30 UNI 5739	
14	56171954	2	SPACER	
15	57374533	1	GUARD	
16	57374536	1	GUARD	
17	F0862479035	3	SCREW	
18	F0862479034	1	SCREW M6X12 7380	
19	31411066	4	WASHER 6,6x18	

REAR MUDGUARDS



Pos.	Code	Q.ty	Description	Notes
1	55072935	4	SUPPORT	
2	56177252	2	MUDGUARD HANDLE	
3	59077455V	1	LEFT REAR FENDER	
4	59077463V	1	RIGHT REAR FENDER	
5	56177443	1	GUARD	
6	56177444	1	GUARD	
7	57376671	1	WING EXTENSION	
8	57376672	1	WING EXTENSION	
9	57376623	1	SUPPORT	
10	57376624	1	SUPPORT	
11	F0256910010	1	CELL FOAM PROFILE 10X15	
12	56176908	1	COVER	
13	56176907	1	COVER	
14	59076780	1	LICENCE PLATE HOLD	
15	56177264	1	RETAINING PLATE	
16	56177265	1	RETAINING PLATE	
17	59070592	1	LEVER BEARING	
18	59077359	1	SAFETY ROLL BAR	
19	31112801	4	SCREW M14x1,5x40 U/5740	
20	59074385	2	FIXING BRACKET	
21	56174582	2	WING HOLDER	
22	55175174	8	BLOCK	
23	56171954	8	SPACER	
24	59071966	1	CONNECTION	
25	58177330	2	REFLECTOR	
26	56177045	8	RETAINER	

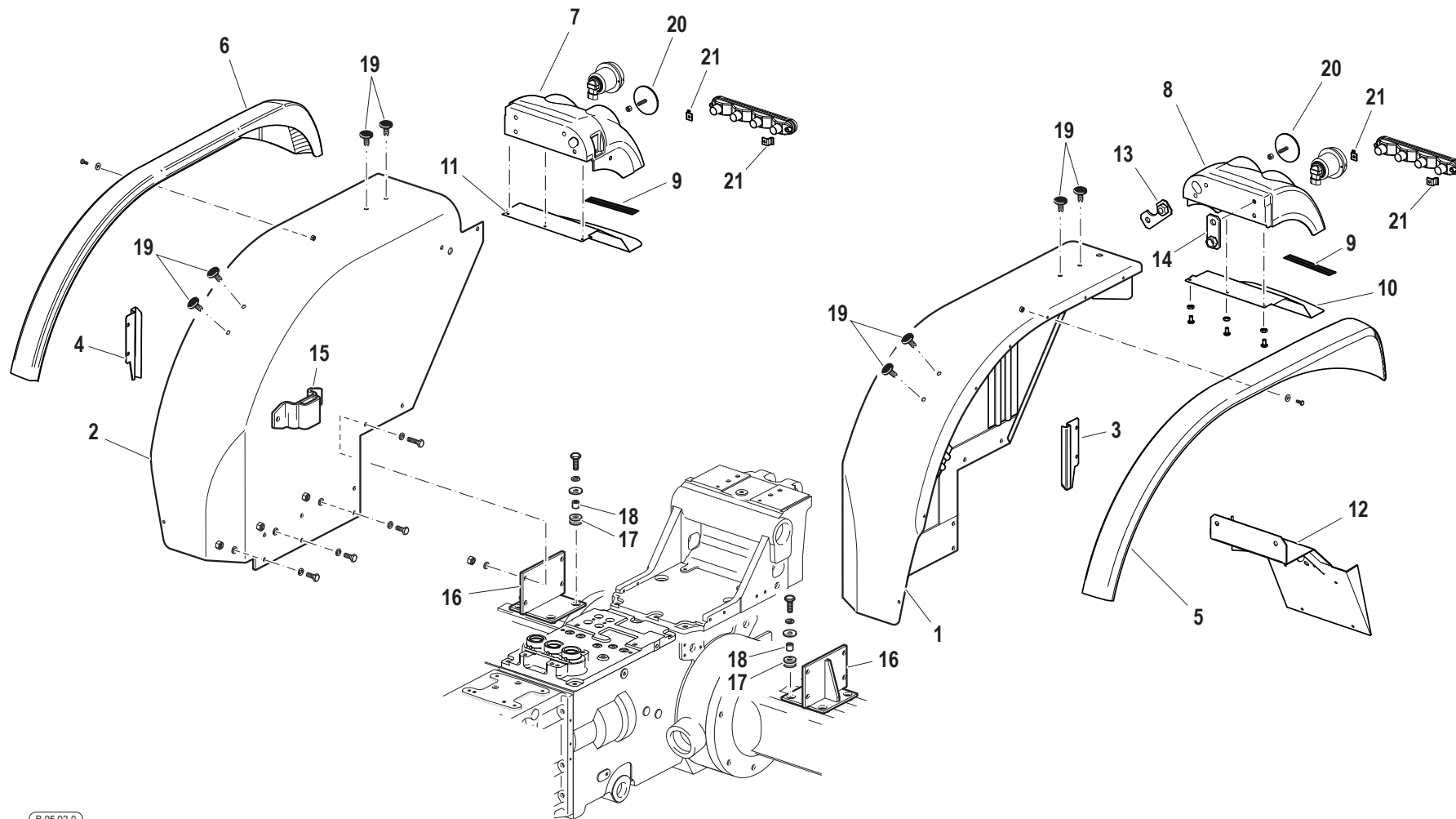
SERIAL

REAR MUDGUARDS

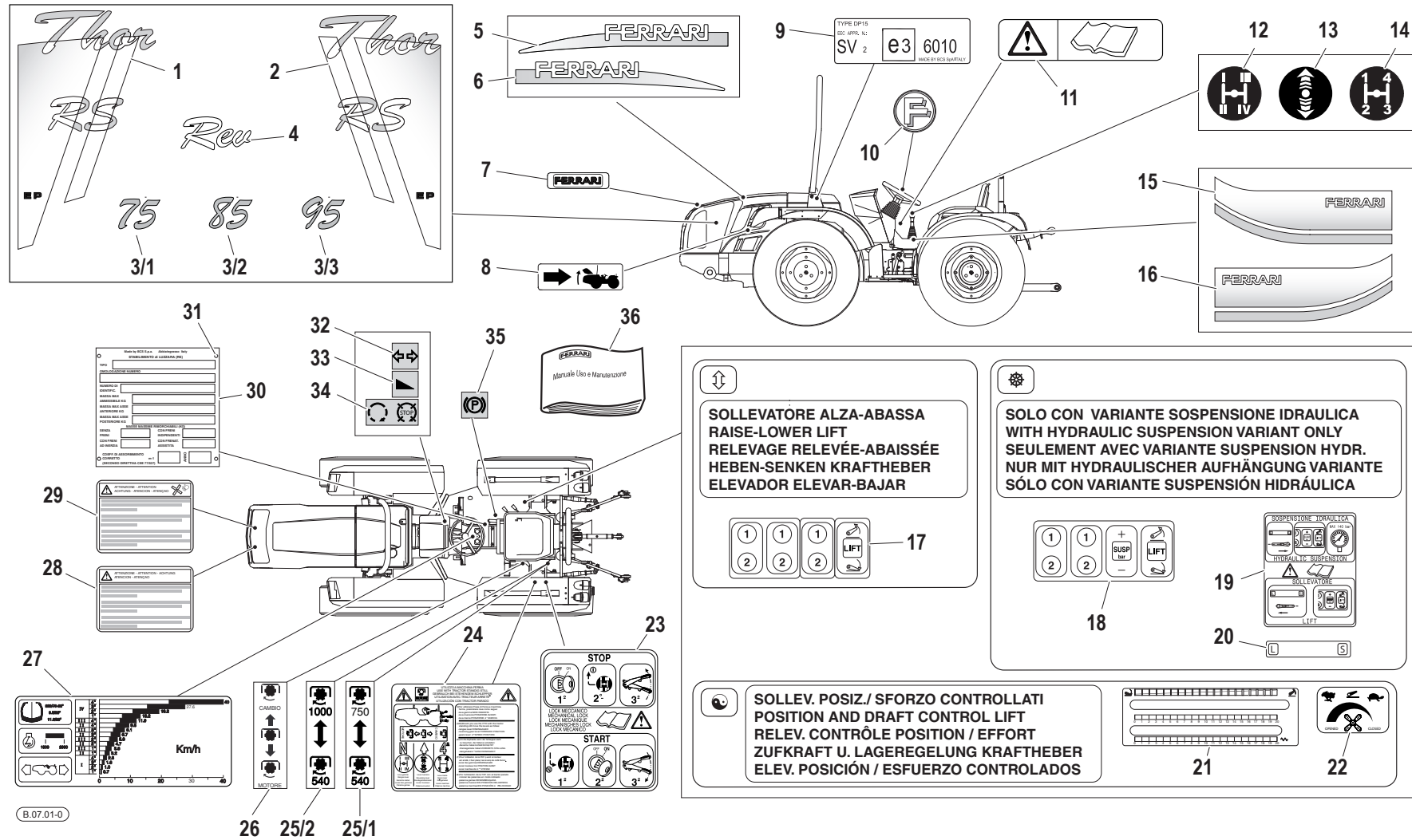
CODE REV

B.05.01_0_55676

REAR MUDGUARDS (VERSION WITH CAB)



Pos.	Code	Q.ty	Description	Notes
1	59077455V	1	LEFT REAR FENDER	
2	59077463V	1	RIGHT REAR FENDER	
3	56177443	1	GUARD	
4	56177444	1	GUARD	
5	57376671	1	WING EXTENSION	
6	57376672	1	WING EXTENSION	
7	57376623	1	SUPPORT	
8	57376624	1	SUPPORT	
9	F0256910010	1	CELL FOAM PROFILE 10X15	
10	56176908	1	COVER	
11	56176907	1	COVER	
12	59076780	1	LICENCE PLATE HOLD	
13	56177264	1	RETAINING PLATE	
14	56177265	1	RETAINING PLATE	
15	59070592	1	LEVER BEARING	
16	59074385	2	FIXING BRACKET	
17	55175174	8	BLOCK	
18	56171954	8	SPACER	
19	30040095	8	PLUG D.8,5/14	
20	58177330	2	REFLECTOR	
21	56177045	8	RETAINER	



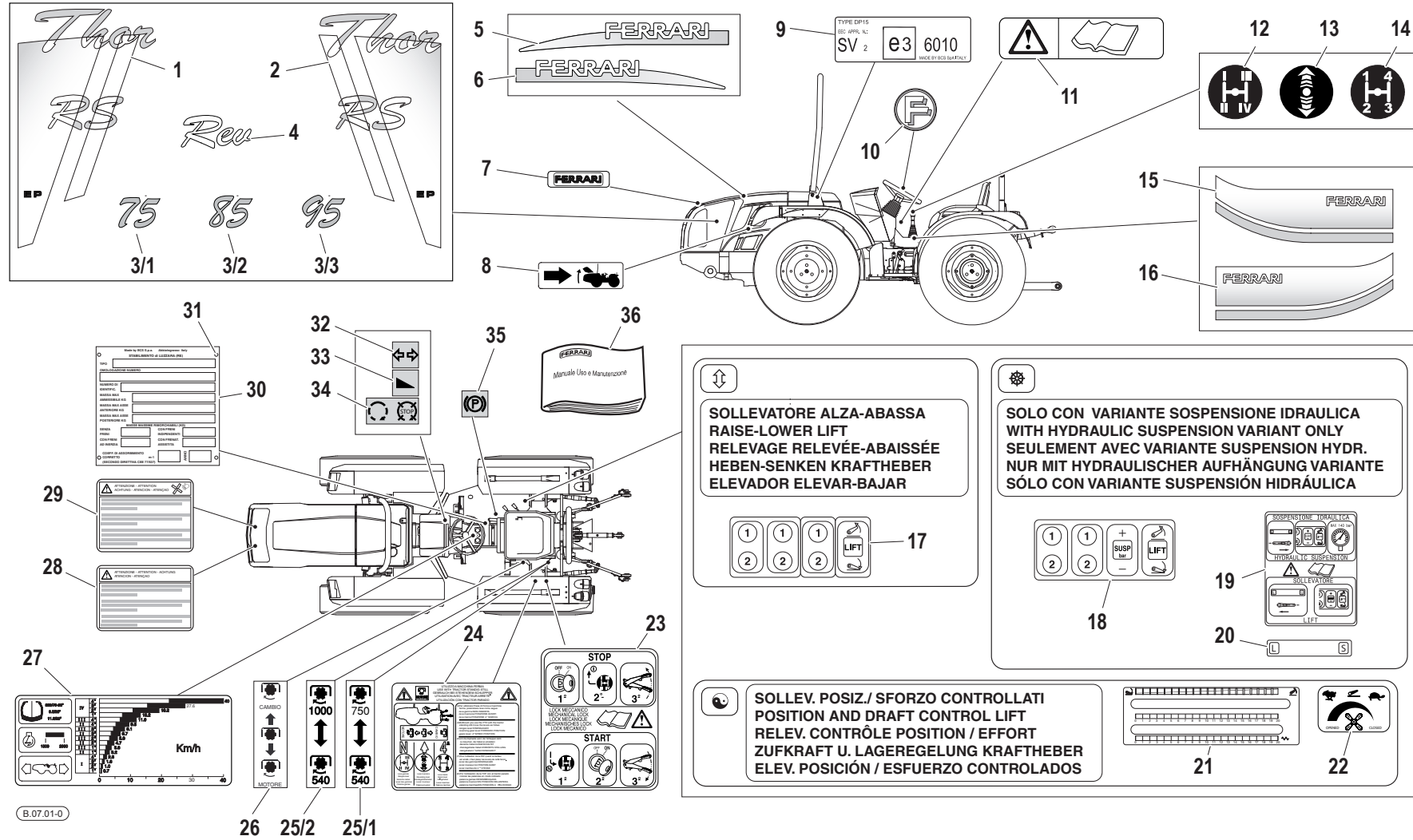
Pos.	Code	Q.ty	Description	Notes
1	580A0178	1	DECAL	
2	580A0179	1	DECAL	
3/1	58077581	2	DECAL	
3/2	58077580	2	DECAL	
3/3	58077579	2	DECAL	
4	58074791	2	DECAL	
5	58074786	1	DECAL	
6	58074787	1	DECAL	
7	58079466	1	DECAL	
8	58074841	1	DECAL	
9	580A0601	1	PLATE	
10	58074777	1	DECAL	
11	58074880	1	PLATE	
12	58074221	1	DECAL	
13	58074220	1	DECAL	
14	58074222	1	DECAL	
15	58074839	1	DECAL	
16	58074846	1	DECAL	
17	58075022	1	PLATE	
18	58075024	1	PLATE	
19	58075521	1	DECAL	
20	58075522	1	DECAL	
21	58075152	1	DECAL	
22	58075250	1	DECAL	
23	58075021	1	DECAL	
24	58076077	1	DECAL	
25/1	58072518	1	PLATE	
25/2	58072574	1	PLATE	
26	58072575	1	PLATE	
27	58077654	1	PLATE	
28	58173772	1	PLATE	
29	58173773	1	PLATE	
30	58072737	1	PLATE	
31	F0808518050	4	RIVET 3,5x6,5	

SERIAL

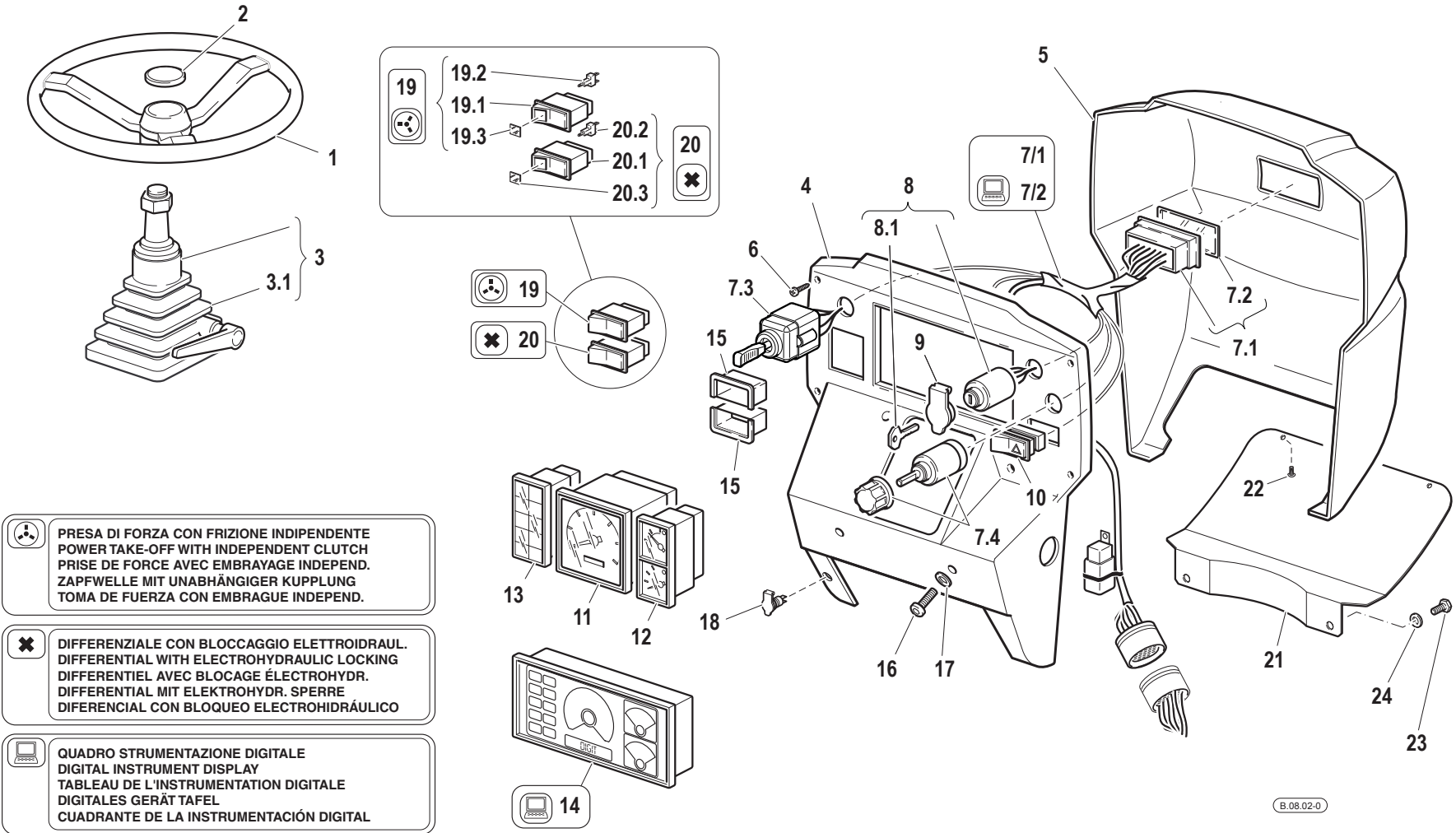
PLATES AND STICKERS

CODE REV

B.07.01_0_56267



Pos.	Code	Q.ty	Description	Notes
32	58072509	1	INSTRUCTION PLATE	
33	58072517	1	INSTRUCTION PLATE	
34	58072511	1	INSTRUCTION PLATE	
35	58072510	1	INSTRUCTION PLATE	
36	F0907170150	1	TECHN. MANUAL THOR	



PRESA DI FORZA CON FRIZIONE INDIPENDENTE
 POWER TAKE-OFF WITH INDEPENDENT CLUTCH
 PRISE DE FORCE AVEC EMBRAYAGE INDEPEND.
 ZAPFWELLE MIT UNABHÄNGIGER KUPPLUNG
 TOMA DE FUERZA CON EMBRAGUE INDEPEND.

DIFFERENZIALE CON BLOCCAGGIO ELETTROIDRAUL.
 DIFFERENTIAL WITH ELECTROHYDRAULIC LOCKING
 DIFFERENTIEL AVEC BLOCAGE ÉLECTROHYDR.
 DIFFERENTIAL MIT ELEKTROHYDR. SPERRE
 DIFERENCIAL CON BLOQUEO ELECTROHIDRÁULICO

QUADRO STRUMENTAZIONE DIGITALE
 DIGITAL INSTRUMENT DISPLAY
 TABLEAU DE L'INSTRUMENTATION DIGITALE
 DIGITALES GERÄT TAFEL
 CUADRANTE DE LA INSTRUMENTACIÓN DIGITAL

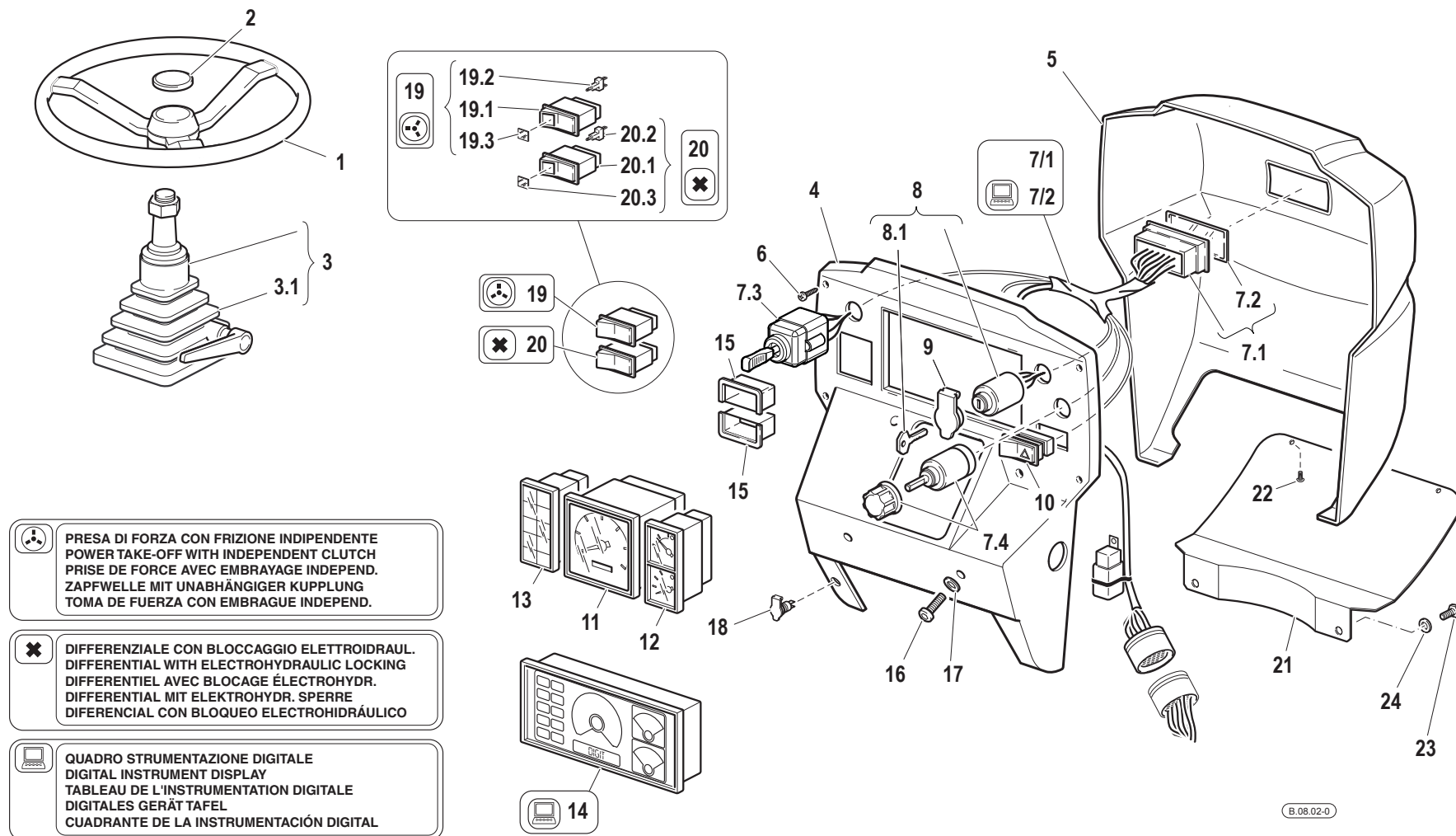
Pos.	Code	Q.ty	Description	Notes
1	F0865040000	1	STEERING WHEEL	
2	F0865040020	1	PLUG	
3	F0865474000	1	UNIT	
3.1	F0865474005	1	BELLOWS	
4	55274441	1	INSTRUMENT PANEL	
5	55271644	1	INSTRUMENT PANEL	
6	31510053	6	RIBBED SCREW TC 4,8X32	
7/1	58077601	1	CABLE	
7.1	58170453	1	FUSE BOX	
7.2	58172267	1	COVER	
7/2	58077602	1	CABLE	
7.3	F0825436000	1	SWITCH	
7.4	F0825436003	1	SWITCH	
8	30000614	1	PANEL	
8.1	F0825500220	1	KEY	
9	F0825400060	1	COVER	
10	F0825115010	1	PUSH-BUTTON	
11	58177867	1	TRACTOR METER	
12	58175769	1	DIGITAL INSTRUMENT	
13	58175770	1	WARNING LIGHT HOLDER	
14	58174928	1	INSTRUMENT	
15	58170376	2	TERMINAL FOR SWITCH	
16	F0862479020	4	SCREW M8X16 7380	
17	31411084	4	WASHER 8,4x17	
18	F0825403050	1	SOCKET	
19	58170344	1	CHANGE-OVER SWITCH	
19.1	58173116	2	CHANGE-OVER SWITCH	
19.2	58173119	2	PILOT LIGHT 12V	
19.3	58173120	1	GLASS	
20	58170345	1	CHANGE-OVER SWITCH	
20.1	58173116	2	CHANGE-OVER SWITCH	
20.2	58173119	2	PILOT LIGHT 12V	
20.3	58173121	1	GLASS	
21	57374553	1	COVER	

SERIAL

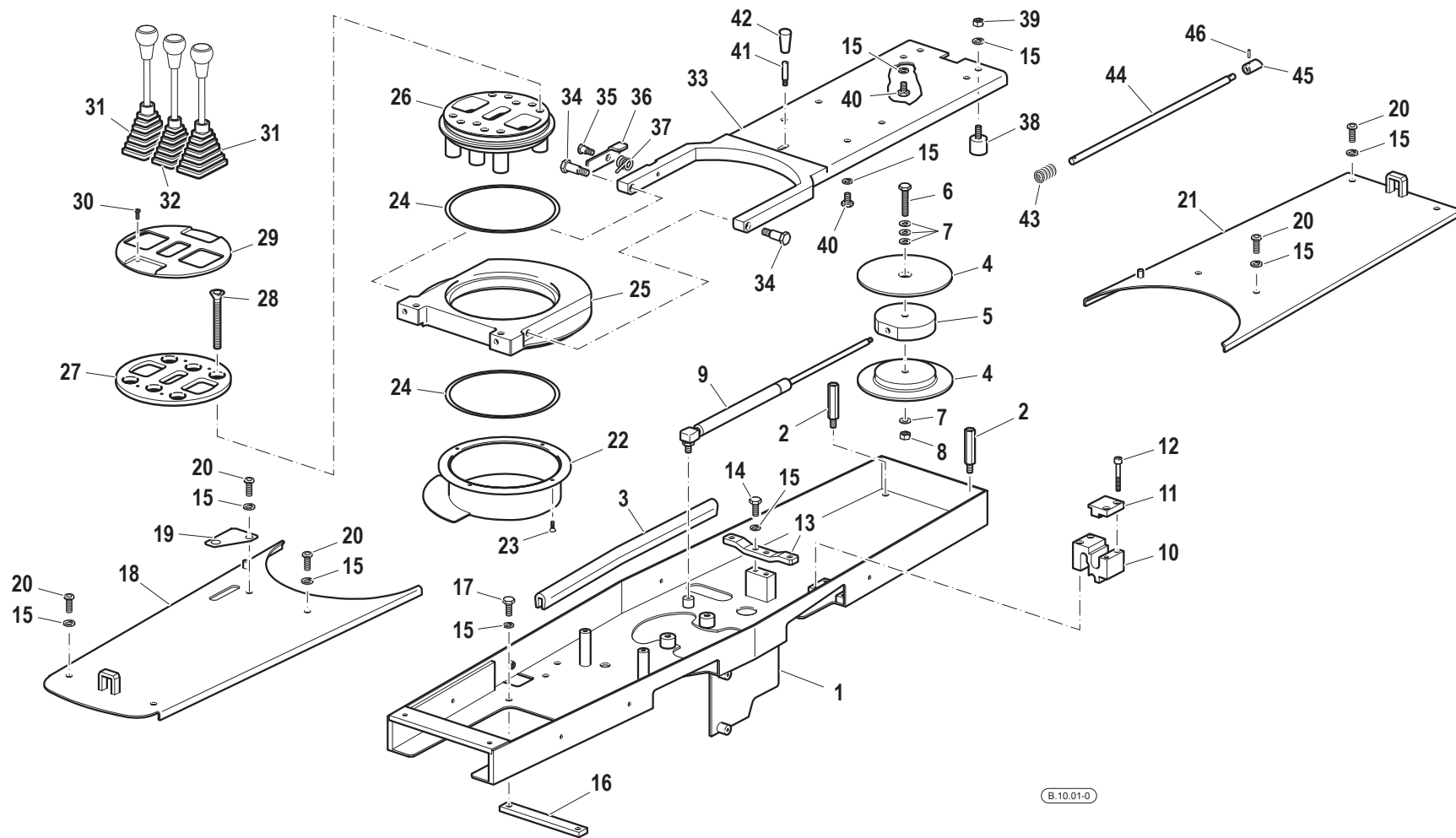
DASHBOARD

CODE REV

B.08.02_0_51286



Pos.	Code	Q.ty	Description	Notes
22	F0861867001	3	SCREW M4,2X16 DIN 7981	
23	31112149	2	SCREW TE M8X12 UNI 5739 8G	
24	31411084	2	WASHER 8,4x17	



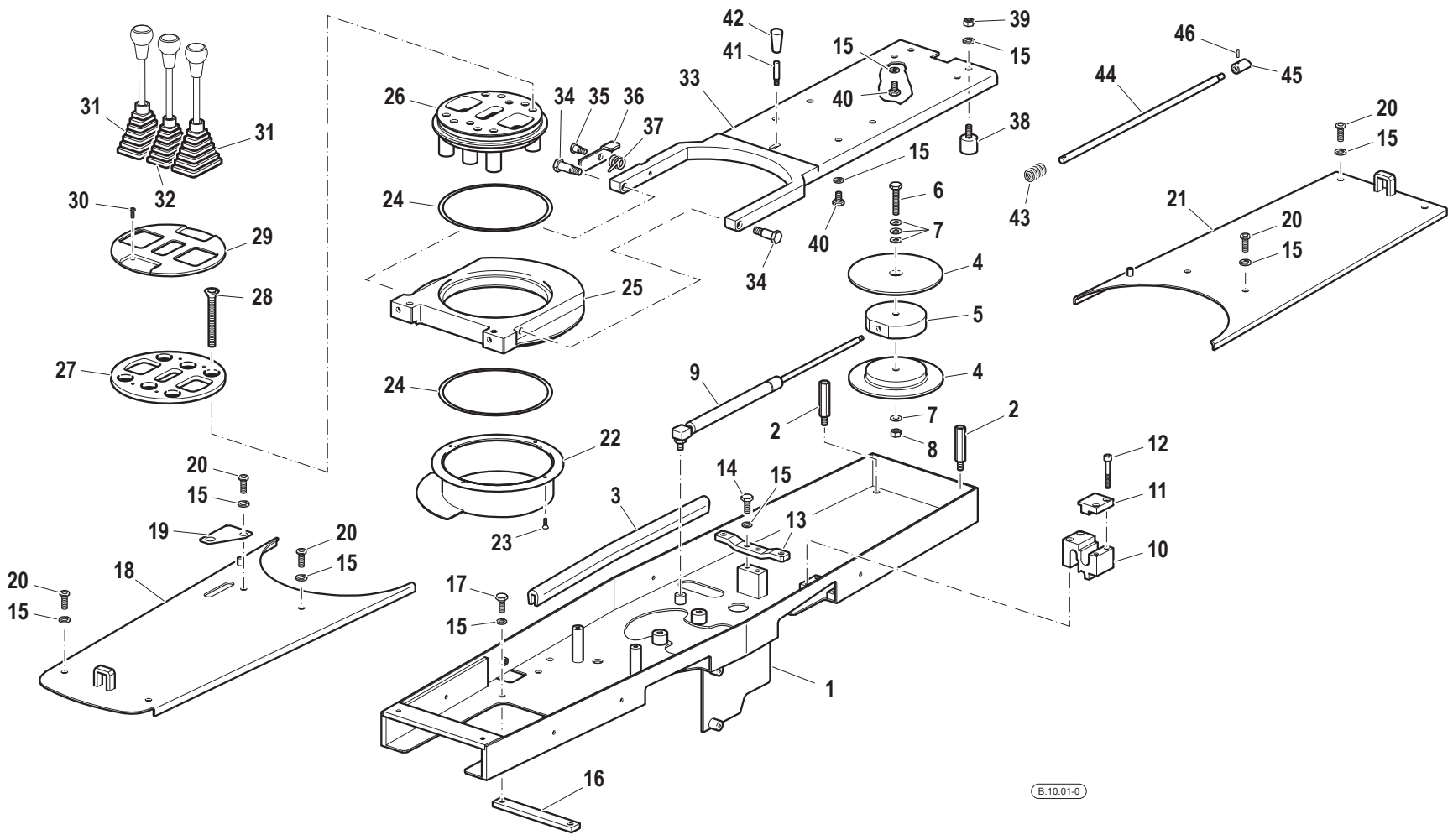
Pos.	Code	Q.ty	Description	Notes
1	59074468	1	BOX	
2	56174492	2	PIN	
3	F0256809010	1	GASKET	
4	57374490	2	PULLEY	
5	57374491	1	PULLEY	
6	F0862875000	1	SCREW M8X1,25/45 UNI5739	
7	31411084	4	WASHER 8,4x17	
8	F0814585000	1	SELFLOCK NUT	
9	58174555	1	SPRING	
10	56174464	1	SMALL BLOCK	
11	56174773	1	COVER	
12	31152066	4	SCREW TCEI M6X45 UNI 5931	
13	56174486	1	RETAINER	
14	31112146	2	SCREW TE M8X22 UNI 5739 8G	
15	F0843643060	16	WASHER 8	
16	56174730	1	PLATE	
17	31112151	2	SCREW TE M8X25 UNI 5739 8G	
18	59074531V	1	COP.ANT.CONT.TUBI(74531)VERDE	
19	56174499	1	COVER	
20	F0862479020	8	SCREW M8X16 7380	
21	59074477V	1	COP.POST.C.TUBI(74477)VERDE	
22	59074403	1	FLANGE	
23	31132440	4	SCREW TSVEI M4X10 UNI 5933	
24	57374545	2	GASKET	
25	51174524V	1	ROTATING TOWER (74524)GREEN **	
26	51274388	1	SUPPORT	
27	51274498	1	FLANGE	
28	F0863586000	6	SCREW M10X80 DIN 7991	
29	57374501	1	COVER	
30	F0861928050	4	SCREW M5X12 ISO 7380	
31	55174163	2	BELLOWS	
32	55174162	1	BELLOWS	
33	59074525V	1	SUPP.SEDILE(59074525F)VERDE	
34	56274487	2	SPECIAL SCREW	

SERIAL

SEAT SUPPORT / GEAR LEVERS COVER

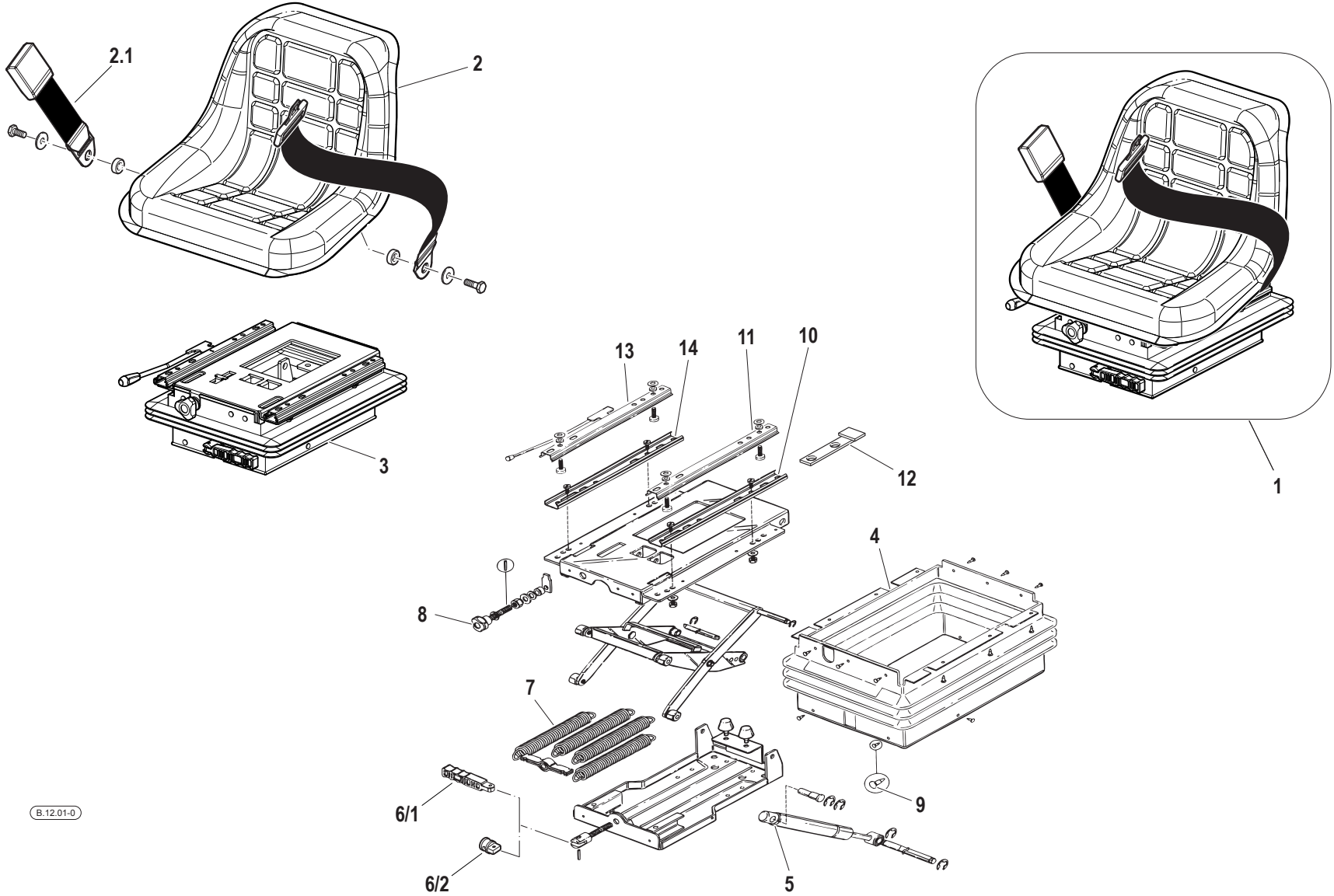
CODE REV

B.10.01_0_51339



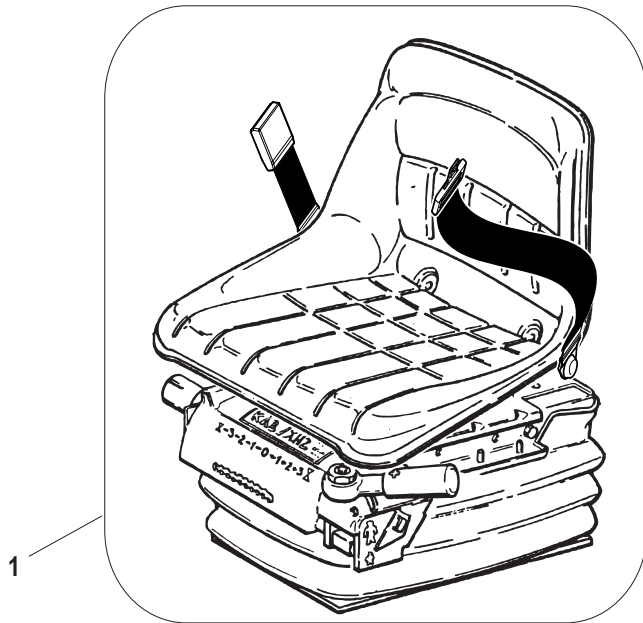
Pos.	Code	Q.ty	Description	Notes
35	56375436	1	HINGE PIN	
36	56174462	1	RETAINING PLATE	
37	58074488	1	SPRING	
38	58174644	2	SILENT-BLOCK	
39	31211080	2	NUT M8	
40	31111151	4	SCREW TE M8X16 UNI 5739 8G	
41	56174461	1	PIN	
42	F0837521000	1	GRIP	
43	58070390	1	SEAT SPRINGS	
44	56174463	1	ROD	
45	56374460	1	LOCKING BOLT	
46	34213018	1	ROLL PIN	

SEAT (STANDARD)

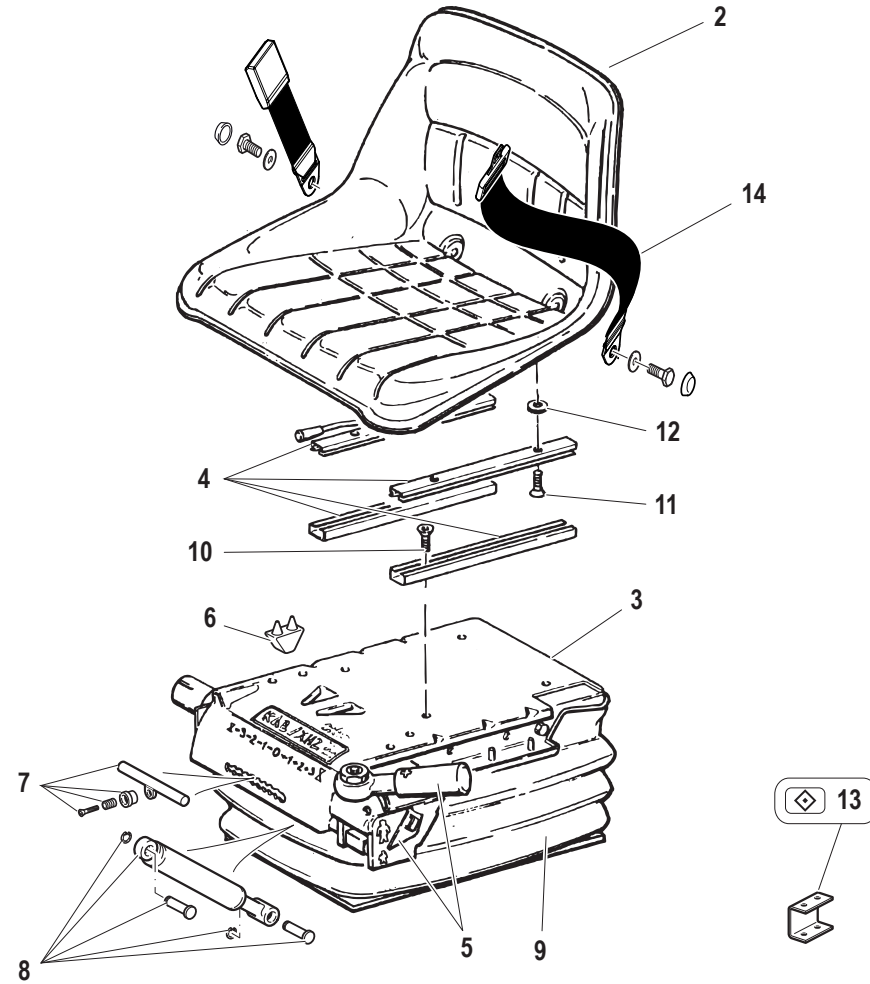


Pos.	Code	Q.ty	Description	Notes
1	58177723	1	SEAT	
2	59901048	1	SEAT	
3	58192377	1	SAFETY BELT	
4	59901049	1	SUSPENSION	
5	59900159	1	BELLOWS	
6	59900156	1	SHOCKS ABSORBER	
7/1	59900155	1	LEVER	
7/2	56172172	1	SMALL BLOCK	
8	59900154	4	SPRING	
9	59900153	1	KNOB	
10	59900158	18	SCREW	
11	59900157	1	LOWER GUIDE	
12	59900160	1	GUIDE	
13	59071241	1	STOP PLATE	
14	59900161	1	GUIDE	
15	59900152	1	LOWER GUIDE	

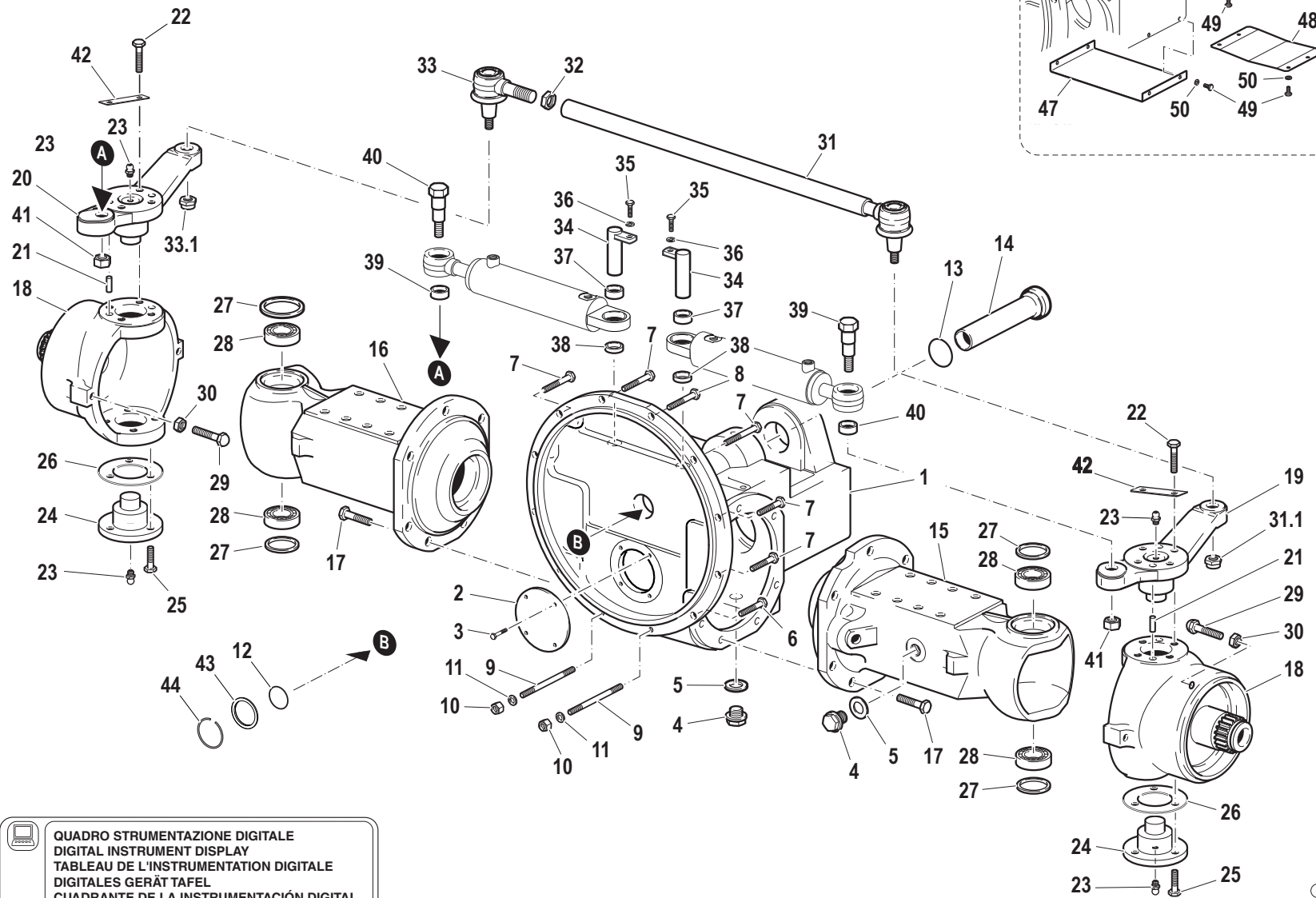
◇
VERSIONE CON CABINA
VERSION WITH CAB
VERSION AVEC LA CABINE
VERSION MIT KABINE
VERSIÓN CON LA CABINA



B.12.02-0



Pos.	Code	Q.ty	Description	Notes
1	59900200	1	SEAT	
2	F0150036215	1	SEAT CAVITY	
3	F0150036219	1	SPRING	
4	58173437	1	SEAT GUIDE	
5	59900183	1	CONTROL	
6	59900184	1	LIMITER	
7	59900185	1	CONTROL	
8	59900186	1	SHOCKS ABSORBER	
9	59900187	1	BELLOWS	
10	31111151	5	SCREW TE M8X16 UNI 5739 8G	
11	F0862495010	4	SCREW	
12	F0843696000	4	WASHER	
13	56171223	1	BRACKET	
14	58192377	1	SAFETY BELT	




QUADRO STRUMENTAZIONE DIGITALE
DIGITAL INSTRUMENT DISPLAY
TABLEAU DE L'INSTRUMENTATION DIGITALE
DIGITALES GERÄT TAFEL
CUADRANTE DE LA INSTRUMENTACIÓN DIGITAL

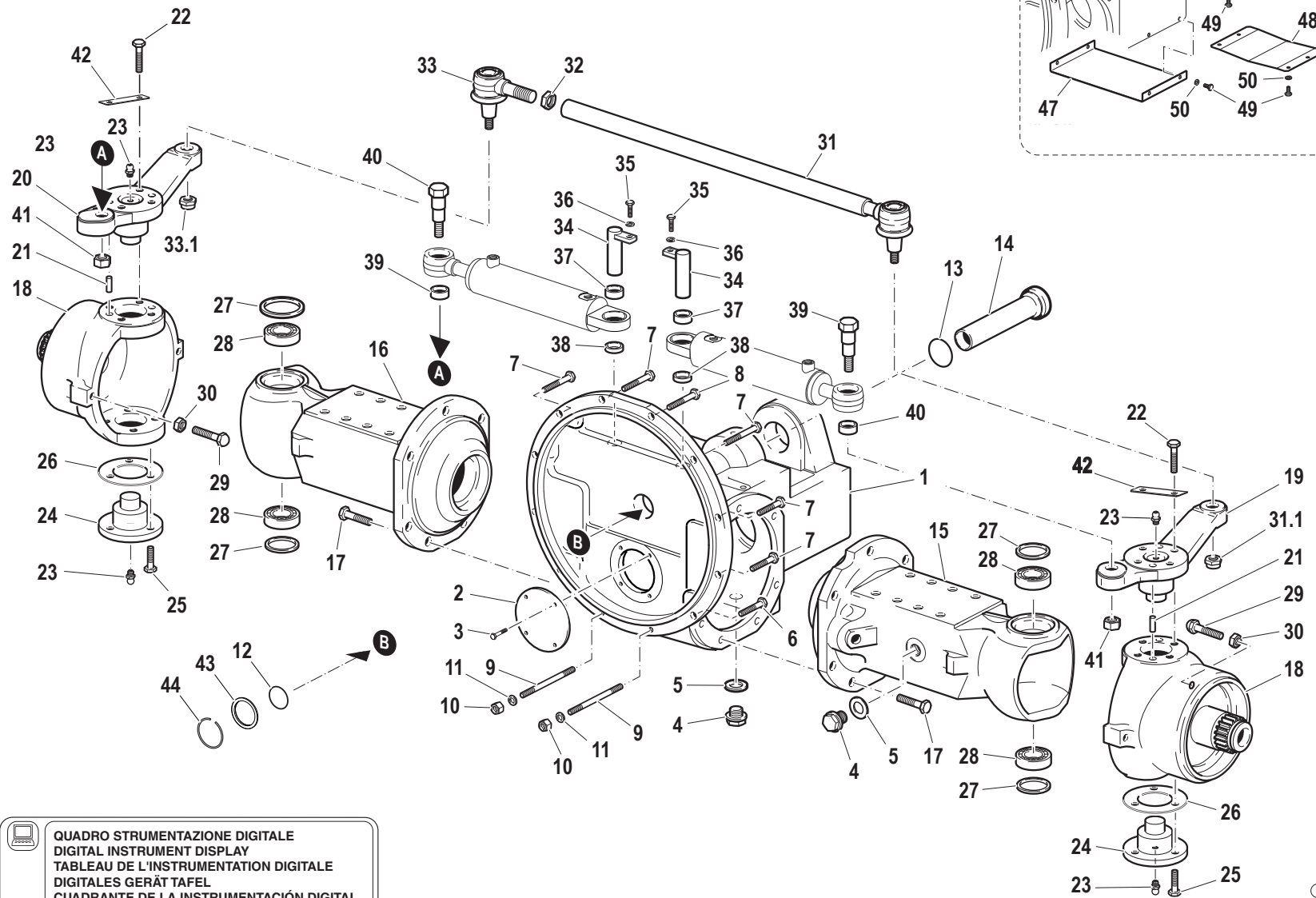
Pos.	Code	Q.ty	Description	Notes
1	51176126	1	FRONT AXLE HOUSING	
2	51176125	1	FRONT COVER	
3	31112090	4	SCREW TE M6X16 UNI 5739 8G	
4	56370081	2	PLUG	
5	F0844273090	2	GASKET 22X28X1,5 CU 99,5	
6	31112211	2	SCREW TE M10X30 UNI 5739	
7	31112212	7	SCREW TE M10X35 UNI 5739	
8	31112213	1	SCREW TE M10X40 UNI 5739	
9	F0838475000	2	STUD BOLT M10X90 UNI 5911 8.8	
10	F0814632000	2	NUT M10	
11	F0843755000	2	WASHER 10	
12	F0803259000	1	O-RING	
13	F0803209070	1	O-RING	
14	59070012	1	PIPE	
15	51276773	1	FRONT AXLE HOUSING	
16	51276772	1	FRONT AXLE HOUSING	
17	F0864222010	16	SCREW M14X1,5/40 5738	
18	51277912	2	JOINT	
19	52377914	1	STEERING TRACK LEVER	
20	52377913	1	RIGHT ARM	
21	56377097	4	PIN	
22	31112267	8	SCREW M12x1,25x40 UNI 5738 10.9	
23	30000007	4	LUBRICATOR	
24	52370083	2	JOINT PIN	
25	F0863267050	6	SCREW M10x25	
26	56170082	1	SHIM	
26	56170221	1	SHIM	
26	56170222	1	SHIM	
26	56170223	1	SHIM	
26	56173353	1	SHIM	
27	58170077	4	GASKET	
28	F0812747000	4	BEARING 32006X (30x55x17)	
29	56379482	2	ADJUSTING SCREW	
30	31211123	2	NUT M12X1,25	

SERIAL
START
914482

FRONT AXLE FRONT AXLE

CODE REV

C.01.01_0_51490



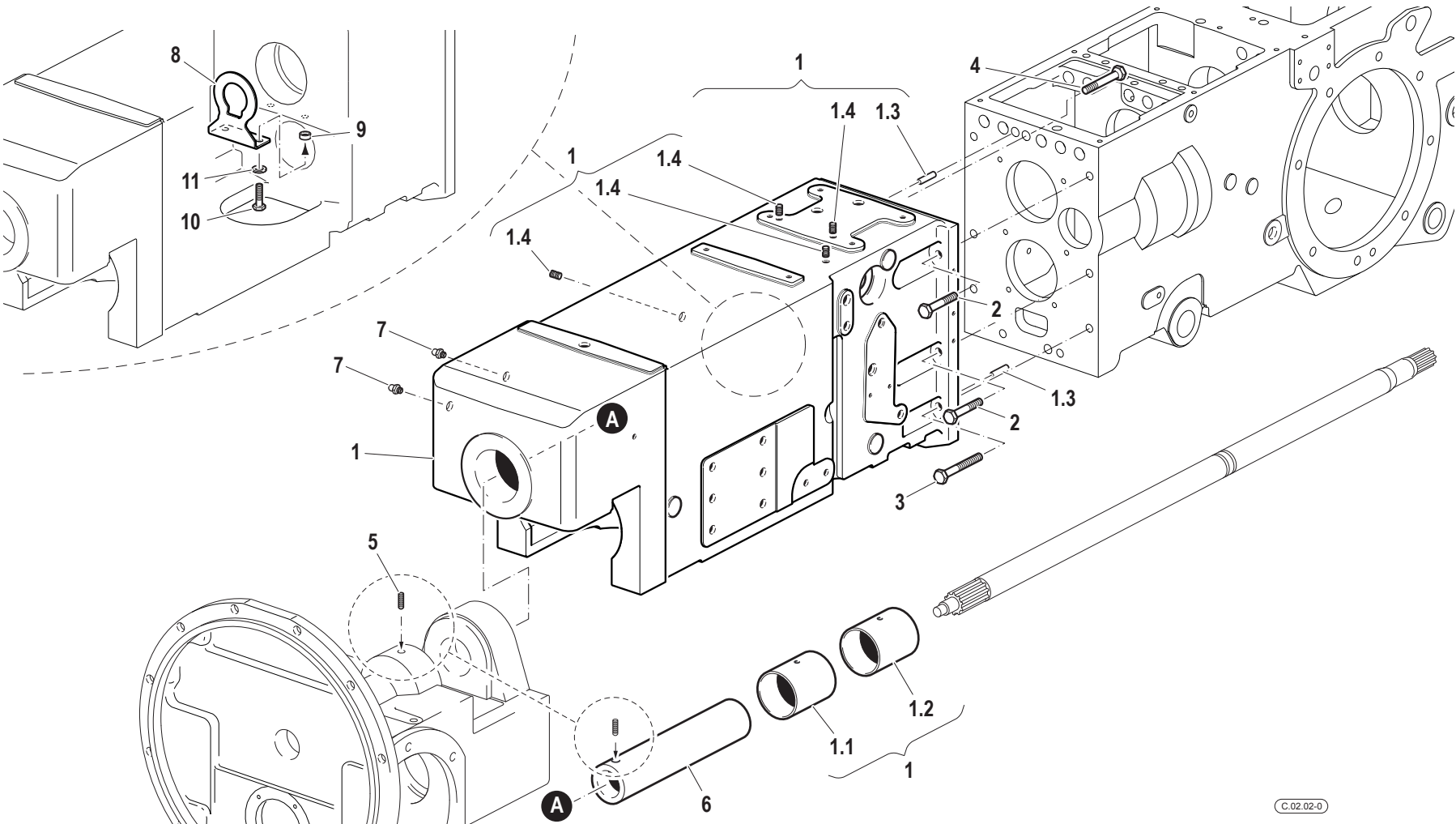

QUADRO STRUMENTAZIONE DIGITALE
DIGITAL INSTRUMENT DISPLAY
TABLEAU DE L'INSTRUMENTATION DIGITALE
DIGITALES GERÄT TAFEL
CUADRANTE DE LA INSTRUMENTACIÓN DIGITAL

Pos.	Code	Q.ty	Description	Notes
31	59070225	1	ROD	
31.1	F0814797000	2	SELFLOCK NUT	
32	56370486	1	SPECIAL NUT M20X1 CH32 6S	
33	58170069	1	BALL JOINT END	
34	59071171	2	HINGE PIN	
35	31111151	2	SCREW TE M8X16 UNI 5739 8G	
36	F0843643060	2	WASHER 8	
37	56170226	2	SPACER	
38	56171172	2	SPACER	
39	56377915	2	HINGE PIN	
40	31241161	4	SELFLOCK NUT M16X1,5	
41	56077910	4	CLAMPING PLATE	
42	56177068	1	SPACER	
43	F0801310600	1	SAFETY RING	
44	58175209	1	SENSOR	
45	56174919	1	BRACKET	
46	56174920	1	SHEET	
47	56172538	1	LAMINATION	
48	31112082	8	SCREW TE M6X12 UNI 5739 8G	
49	F0843570000	8	WASHER 6	
50	56077977	2	SMALL COLUMN	

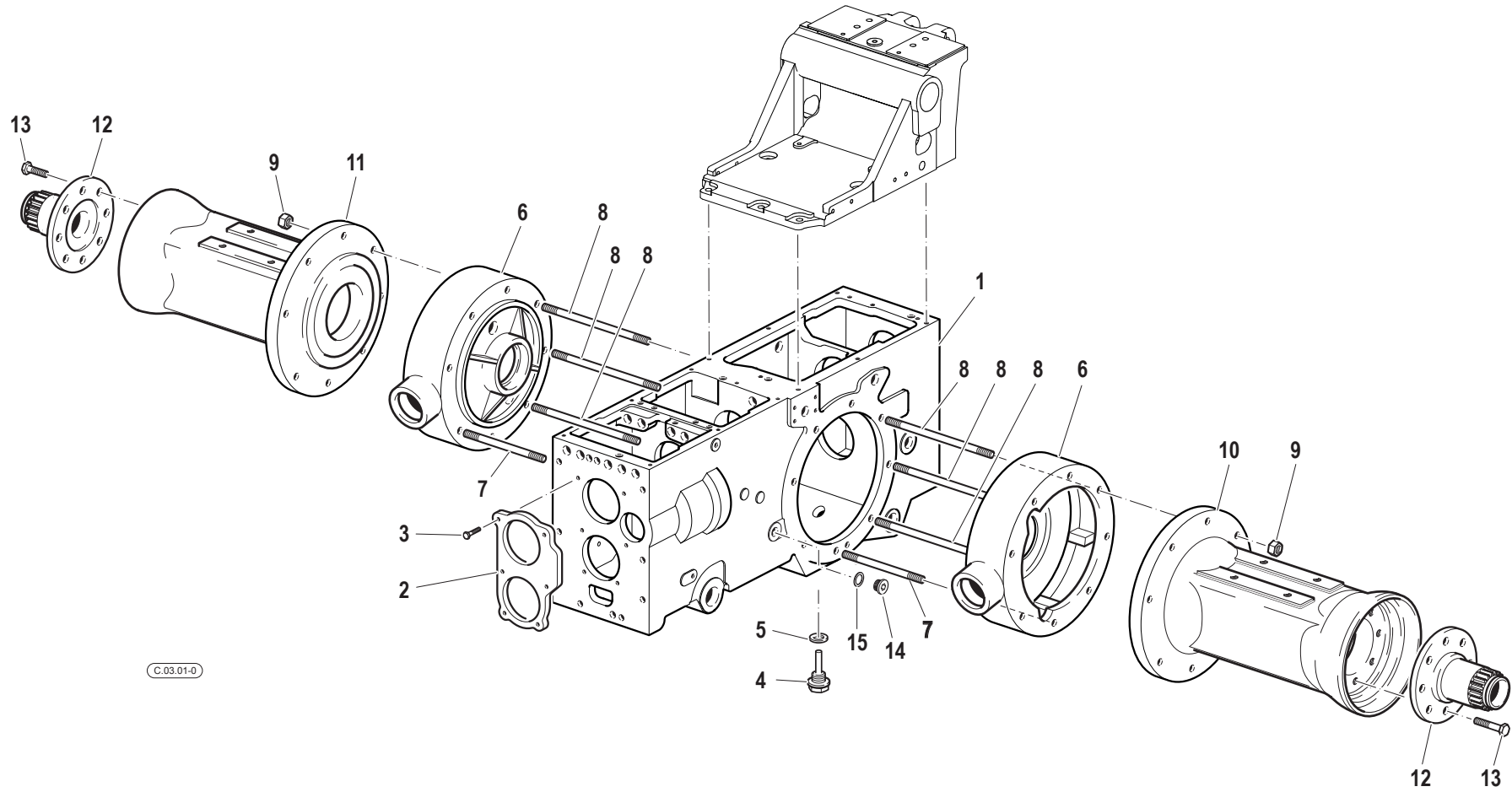
SERIAL
START
914482

FRONT AXLE FRONT AXLE

CODE REV
C.01.01_0_51490

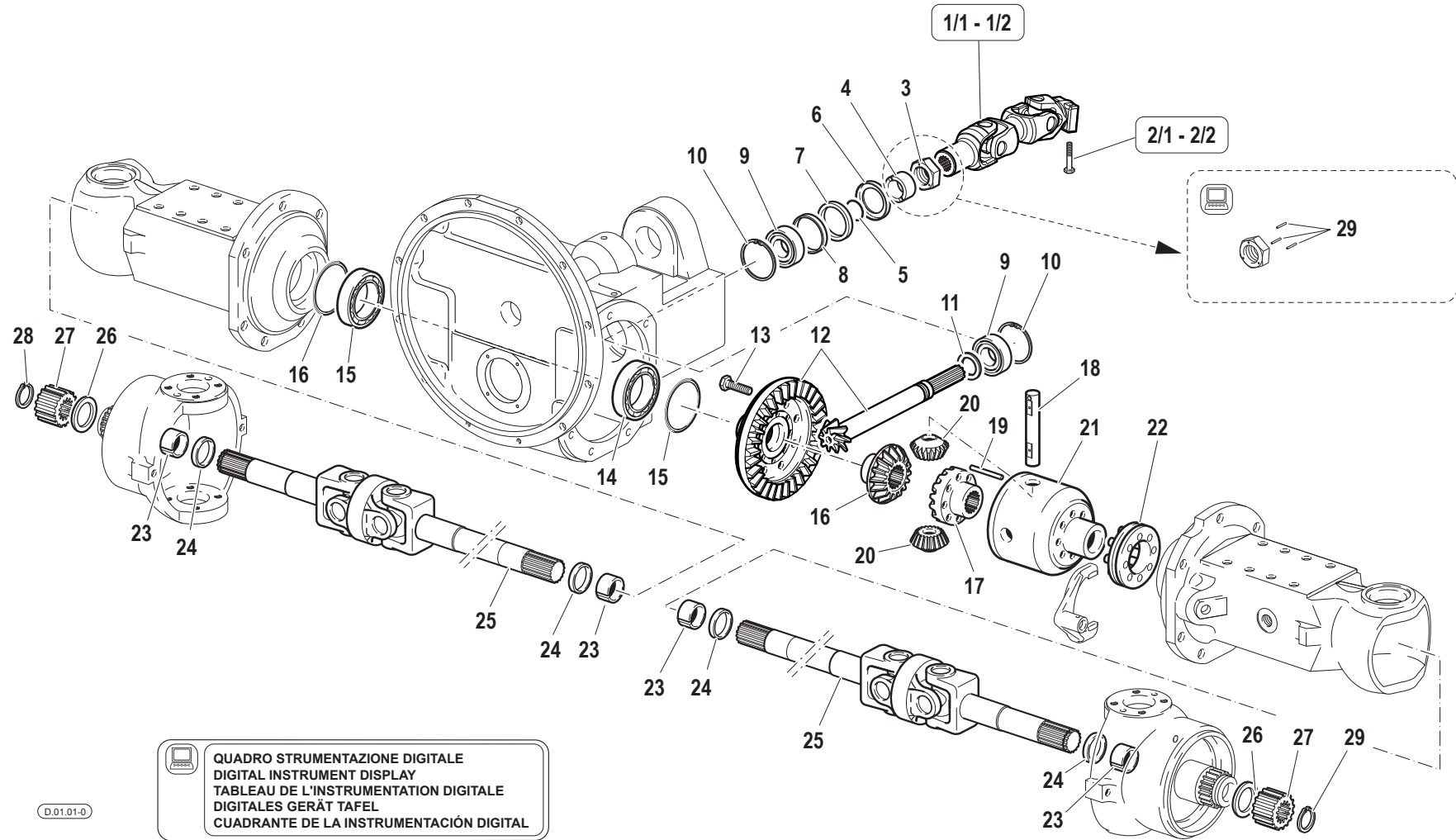


Pos.	Code	Q.ty	Description	Notes
1	59276001	1	CLUTCH HOUSING	
1.1	56276372	1	BUSHING	
1.2	56276371	1	BUSHING	
1.3	56570016	2	CYLINDRICAL PLUG	
1.4	58079118	1	ROD	
2	F0863925000	7	SCREW M12X40 UNI 5737	
3	F0863997010	1	SCREW M12X50 UNI 5737	
4	F0863951000	1	SCREW M12X45 UNI 5737	
5	58077226	1	GRAIN	
6	56477227	1	PIN	
7	F0826056000	2	LUBRICATOR M10 UNI 7663A	
8	59075813	1	BRACKET	
9	56170364	2	SPACER	
10	31112146	2	SCREW TE M8X22 UNI 5739 8G	
11	F0843643060	2	WASHER 8	



C.03.01-0

Pos.	Code	Q.ty	Description	Notes
1	51176123	1	GEAR BOX	
2	51173650	1	FRONT COVER	
3	31112151	6	SCREW TE M8X25 UNI 5739 8G	
4	58170021	1	PLUG	
5	F0844273090	1	GASKET 22X28X1,5 CU 99,5	
6	51170020	2	BRAKE HOUSING	
7	31313300	10	STUD BOLT M14X1,5X105	
8	31313320	6	STUD BOLT M14X1,5X120	
9	F0814750010	16	NUT M14X1,5	
10	51173804	1	REDUCTION BOX	
11	51173803	1	BOX	
12	56373800	2	SUPPORT	
13	F0863890010	16	SCREW M12x1,75x35	
14	30040035	1	PLUG M18x1,5 DIN908	
15	F0824113000	1	COPPER WASHER 18X24/1,5	



D.01.01-0


QUADRO STRUMENTAZIONE DIGITALE
DIGITAL INSTRUMENT DISPLAY
TABLEAU DE L'INSTRUMENTATION DIGITALE
DIGITALES GERÄT TAFEL
CUADRANTE DE LA INSTRUMENTACIÓN DIGITAL

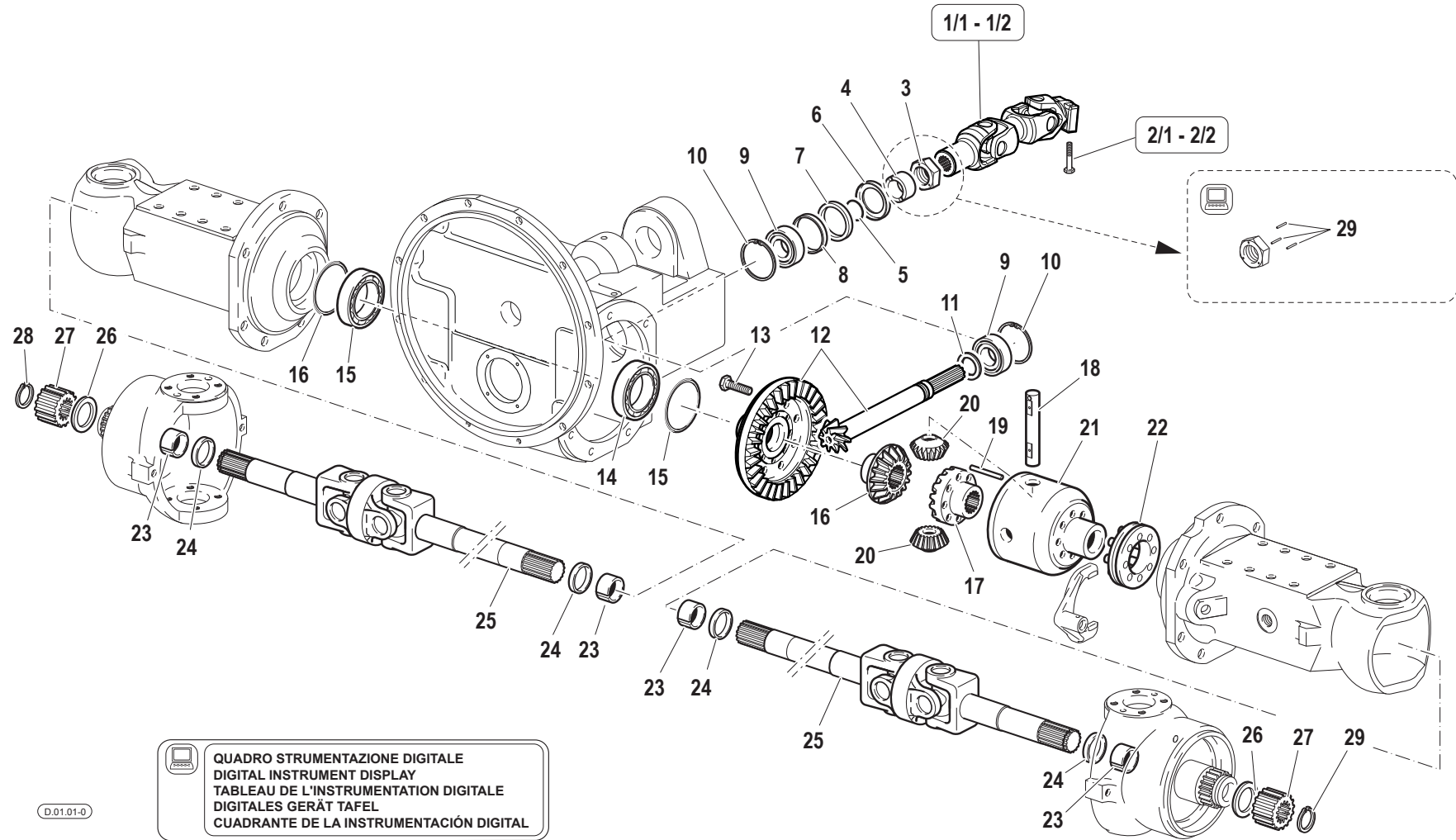
Pos.	Code	Q.ty	Description	Notes
1/1	58178873	1	JOINT	
1/2	58178811	1	JOINT	
2/1	F0862785000	1	SCREW	
2/2	31111156	1	SCREW TE M8X50 UNI 5737 CL 10.9	
3	56372536	1	RING NUT	
4	56470215	1	SPACER	
5	F0803078100	1	O-RING	
6	56170214	1	PROTECTIVE RING D=72	
7	F0802239045	1	SEAL 50x72x8	
8	56170213	1	SPACER	
9	F0812859000	2	BEARING 32207	
10	F0801422010	2	SEEGER RING	
11	56370209	1	SHIM	
11	56370210	1	SHIM	
11	56370211	1	SHIM	
11	56370212	1	SHIM	
12	59376519	1	BEVEL GEAR	
13	F0863311250	8	SCREW M10x1,5x32	
14	F0812956000	2	BEARING 32010 X/Q	
15	56370089	1	RING	
15	56370127	1	RING	
15	56370128	1	RING	
16	52470064	1	PINION	
17	52470063	1	PINION	
18	56471036	1	PIN	
19	56371037	1	PIN	
20	52470067	2	DIFFERENTIAL PINION	
21	51371035	1	HOUSING	
22	59070065	1	SLEEVE	
23	58170039	4	BUSHING	
24	F0802119050	4	SEAL 30x44x11	
25	58170107	2	JOINT	
26	56470216	2	SHIM	
27	52470086	2	CROWN WHEEL	

SERIAL

FRONT TRANSMISSION

CODE REV

D.01.01_0_52465

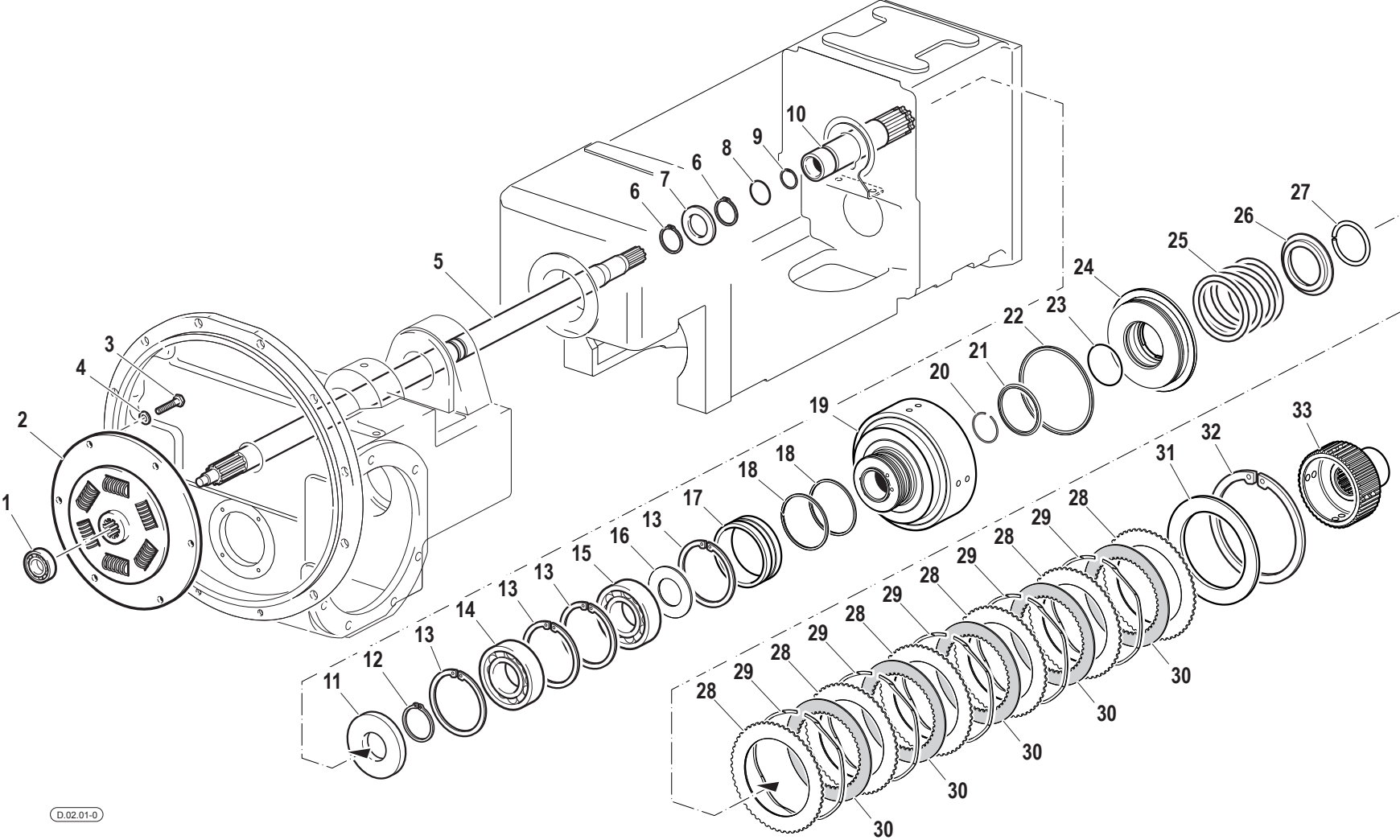


D.01.01-0


QUADRO STRUMENTAZIONE DIGITALE
DIGITAL INSTRUMENT DISPLAY
TABLEAU DE L'INSTRUMENTATION DIGITALE
DIGITALES GERÄT TAFEL
CUADRANTE DE LA INSTRUMENTACIÓN DIGITAL

Pos.	Code	Q.ty	Description	Notes
28	F0801218010	2	SEEGER RING	
29	F0851044000	3	PIN 3,0X26 DIN 1481 CL:C72	

CLUTCH FRONT SHAFT / TRANSMISSION CLUTCH



D.02.01-0

Pos.	Code	Q.ty	Description	Notes
1	F0812523050	1	BEARING 6201-2RS	
2	58177653	1	JOINT	
3	31112150	6	SCREW TE M8X20 UNI 5739 8G	
4	31421083	6	WASHER	
5	56573662	1	FRONT CLUTCH SHAFT	
6	35121030	2	SEEGER RING	
7	57371049	1	WASHER D.44x30,2/4	
8	38112510	1	O-RING	
9	F0801138010	1	SEEGER RING	
10	52473658	1	SHAFT	
11	F0802163010	1	SEAL 35x80/10	
12	F0801264050	1	SEEGER RING	
13	35111080	4	SEEGER RING	
14	37111354	1	BEARING	
15	F0812868100	1	BEARING 6307-2Z (35x80x21)	
16	56371162	1	SHIM	
17	56470002	1	BUSHING	
18	58170306	2	SEAL	
19	52573648	1	CLUTCH HOUSING	
20	F0801266100	1	SAFETY RING	
21	58170443	1	GASKET	
22	58172400	1	GASKET	
23	38104412	1	O-RING	
24	53273025	1	PISTON	
25	58070262	1	RESTORING SPRING	
26	56370267	1	RING	
27	58070268	1	CIRCLIP	
28	58170034	6	DISC	
29	58172106	5	SPRING	
30	58172105	5	DISC	
31	56370037	1	CLUTCH DISC	
32	F0801455100	1	SEEGER RING	
33	52473655	1	HUB	

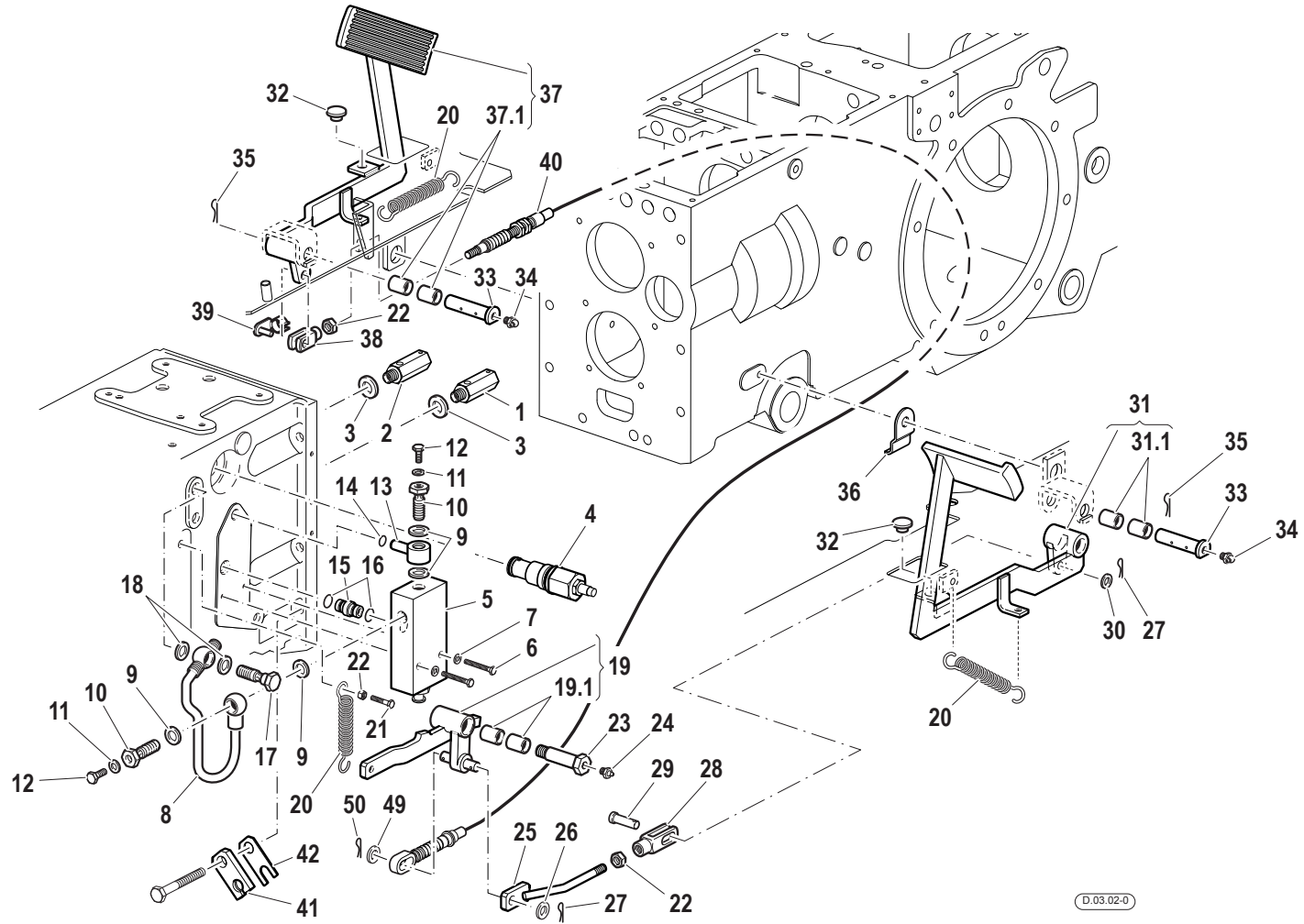
SERIAL

CLUTCH FRONT SHAFT / TRANSMISSION CLUTCH

CODE REV

D.02.01_0_51799

CLUTCH CONTROLS



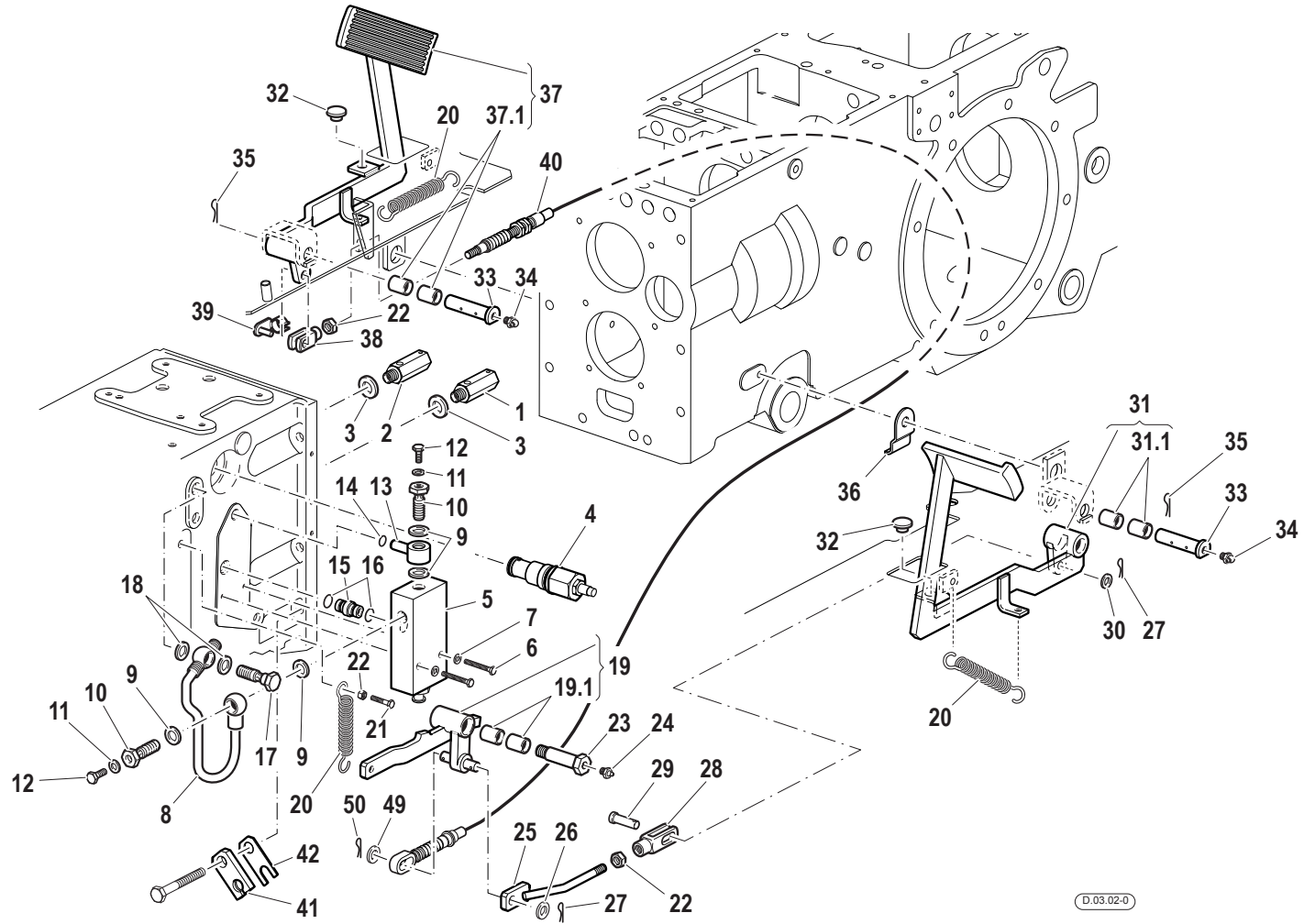
Pos.	Code	Q.ty	Description	Notes
1	59278554	1	VALVE	
2	59278555	1	VALVE	
3	F0843841000	2	COPPER WASHER 12,0x18/1,5	
4	58177754	1	VALVE	
5	58173030	1	SWITCH	
6	F0862345000	2	SCREW M6X40 UNI 5737	
7	F0843581010	2	SPRING WASHER 6	
8	F0843907000	2	COPPER WASHER 13,66x19/1,5	
9	58074558	1	PIPE FITTING	
10	F0843641000	1	COPPER WASHER 8x14/1,5	
11	F0862448100	1	SCREW M8X10 UNI 5740	
12	59074623	1	PRESSURE PIPE	
13	38110992	1	O-RING	
14	56170029	1	PIPE FITTING	
15	F0803057000	2	O-RING	
16	59073725	1	ROCKER	
16.1	58173195	2	BUSHING	
17	58070790	3	RESTORING SPRING	
18	F0862694000	1	SCREW M8X170 UNI 5737	
19	F0814569000	2	NUT	
20	56173684	1	PIN	
21	30000007	1	LUBRICATOR	
22	59073685	1	ROD	
23	31411105	2	WASHER 10,5x21	
24	F0810510000	2	SPLIT PIN A2,0X20 UNI 1336	
25	56074302	1	FORK	
26	F0835523000	1	PIN	
27	31411084	1	WASHER 8,4x17	
28	59074206	1	CLUTCH PEDAL	
28.1	58173195	2	BUSHING	
29	F0822537050	1	BUFFER	
30	56373194	2	HINGE PIN	
31	F0826039000	2	LUBRICATOR	
32	F0810527000	2	FRONT COVER	

SERIAL
START
914705

CLUTCH CONTROLS

CODE REV
D.03.02_0_52154

CLUTCH CONTROLS



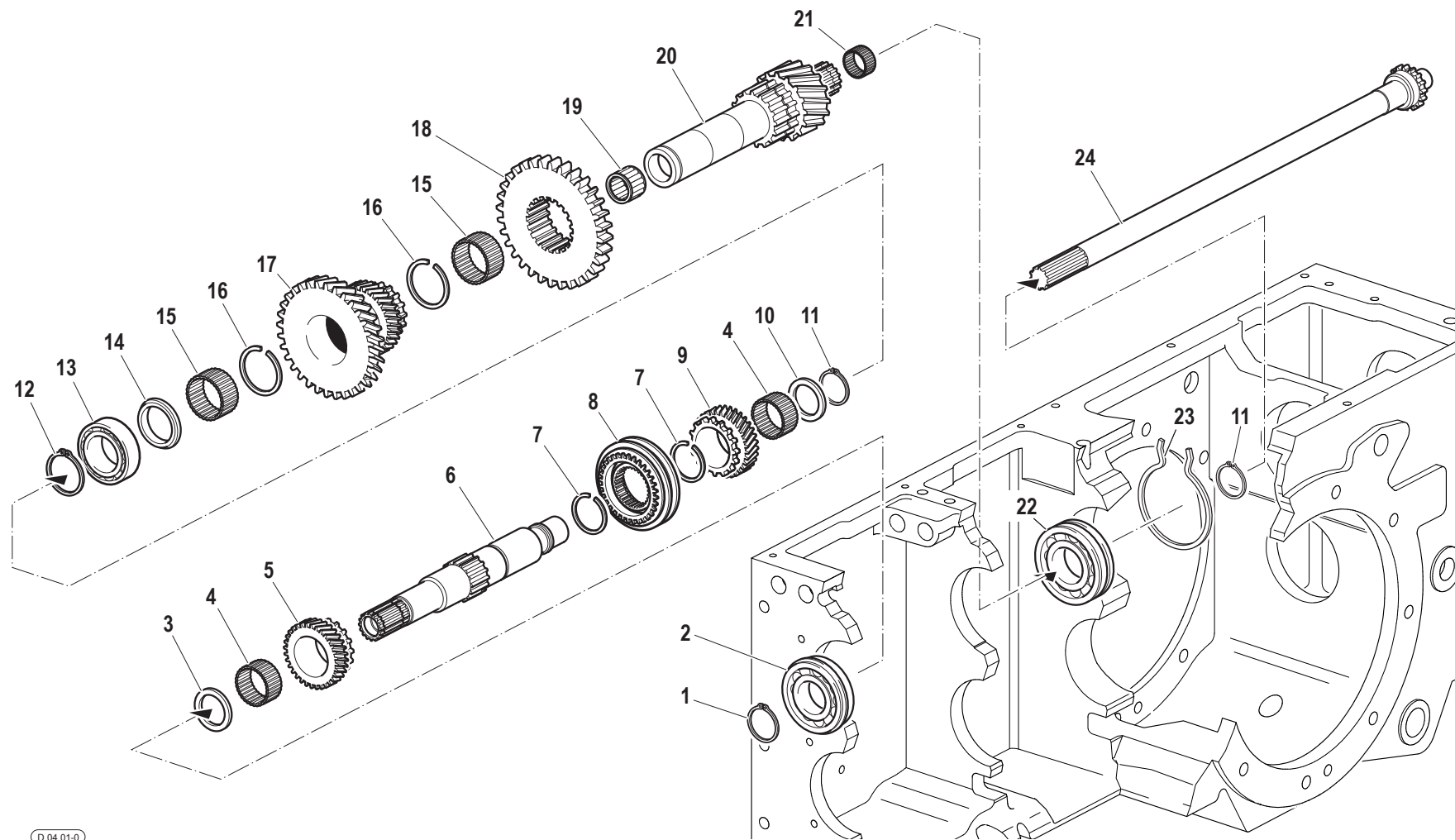
Pos.	Code	Q.ty	Description	Notes
33	56075230	1	BRACKET	
34	59074081	1	PEDAL	
34.1	58173195	4	BUSHING	
35	F0860058010	1	FORK	
36	F0860058020	1	PIN	
37	58174417	1	CABLE	
38	56174400	1	PLATE	
39	56174401	1	FIXING PLATE	

SERIAL
START
914705

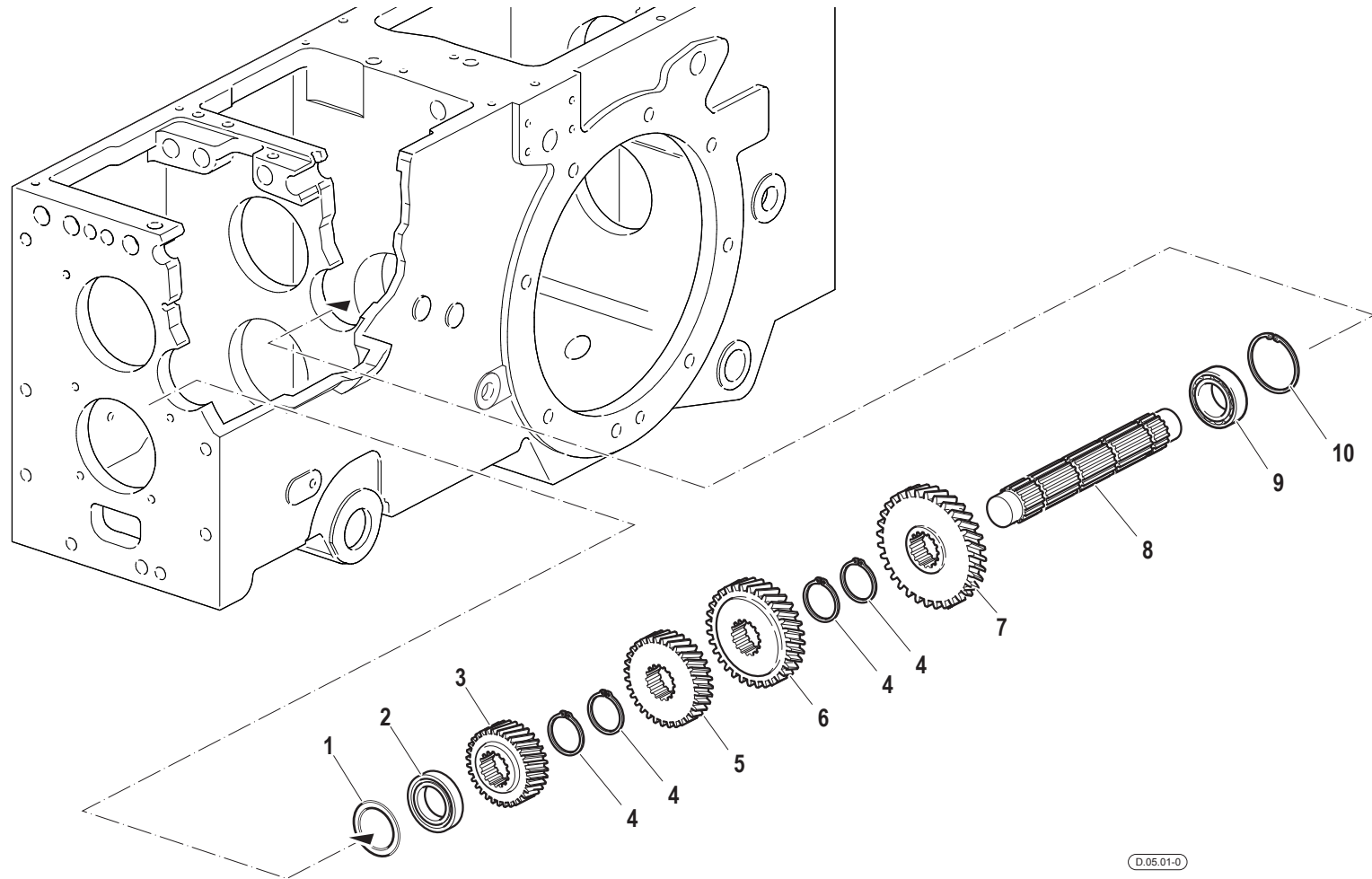
CLUTCH CONTROLS

CODE REV
D.03.02_0_52154

INPUT SHAFT / RANGES MAIN SHAFT / GEARS

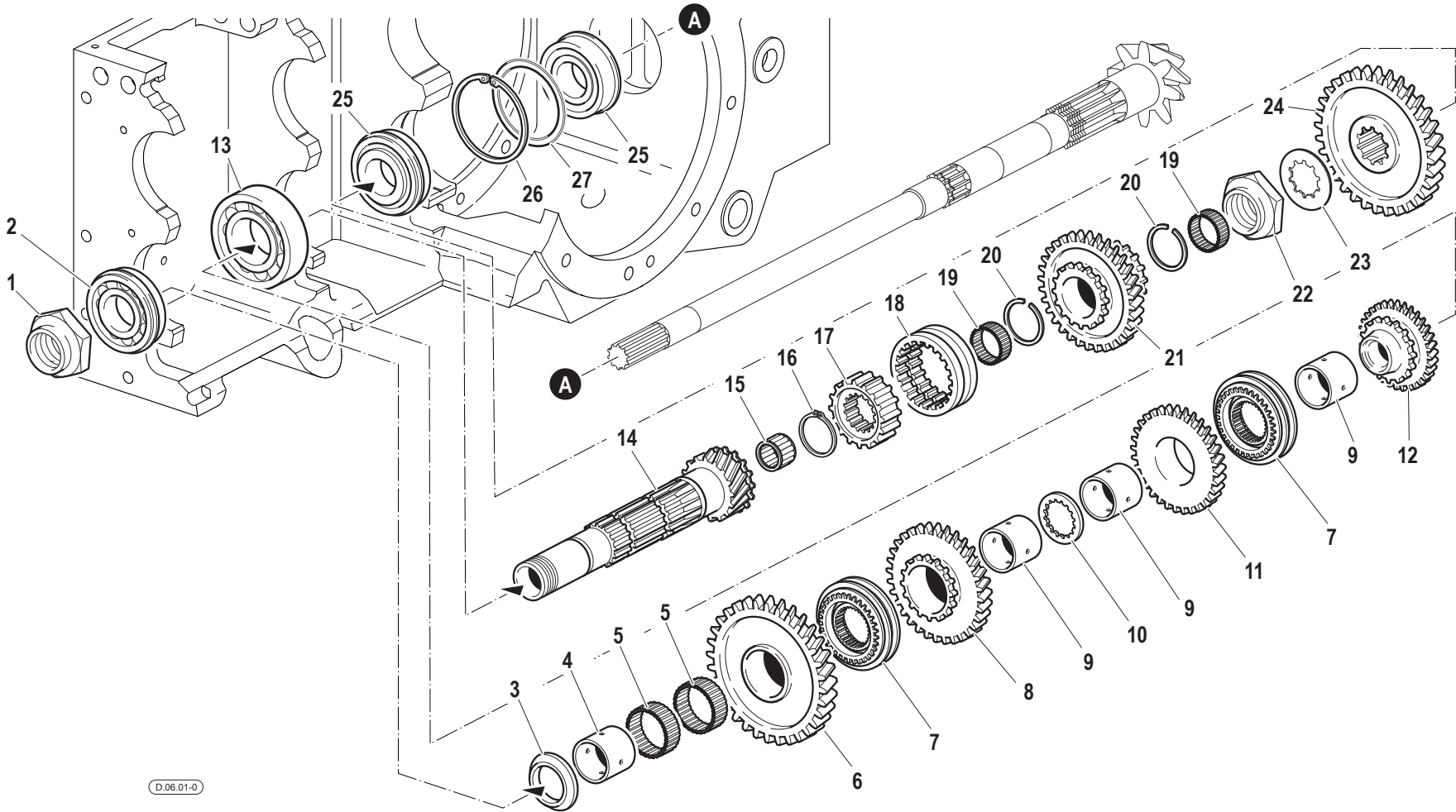


Pos.	Code	Q.ty	Description	Notes
1	F0801264050	1	SEEGER RING	
2	F0812868000	1	BEARING 6307-NR	
3	56470110	1	SHIM	
4	F0812878040	2	ROLLER CAGE K 40X45/27	
5	52473838	1	DRIVEN GEAR	
6	56473818	1	SHAFT	
7	F0801331150	2	SAFETY RING	
8	58170279	1	LOCK SYNCHRONIZER	
9	52473839	1	GEAR	
10	56470139	1	SHIM	
11	35121040	1	SEEGER RING	
12	F0801353000	1	SEEGER RING	
13	37112501	1	BEARING	
14	56470111	1	SHIM	
15	F0812951200	2	ROLLER CAGE K 50X55/20 H	
16	F0801380100	2	SAFETY RING	
17	52478618	1	DOUBLE GEAR	
18	52478619	1	GEAR	
19	F0812783000	1	ROLLER CAGE K 32X38/20	
20	52478620	1	OUTPUT SHAFT	
21	F0812660020	1	ROLLER CAGE K 22X26/17	
22	F0812918010	1	BEARING 6308-NR (40x90x23)	
23	58170130	1	CIRCLIP	
24	52473656	1	SHAFT	



Pos.	Code	Q.ty	Description	Notes
1	F0850100000	1	SHIM 41x51/0,2	
1	F0850100010	1	SHIM 41x51/0,3	
1	F0850100020	1	SHIM 41x51/0,5	
2	F0812708030	1	BEARING NJ 205E	
3	52478612	1	GEAR	
4	F0801241010	4	SEEGER RING	
5	52473829	1	GEAR	
6	52473830	1	GEAR	
7	52473831	1	GEAR	
8	52473827	1	OUTPUT SHAFT	
9	37111255	1	BEARING	
10	35111052	1	SEEGER RING	

GEARS TRANSMISSION SHAFT / GEARS



Pos.	Code	Q.ty	Description	Notes
1	56373840	1	RING NUT	
2	F0812899000	1	BEARING 6208-NR	
3	52478611	1	SHIM	
4	56578610	1	BUSHING	
5	F0812951070	2	ROLLER CAGE K 47X52/17 H	
6	56278614	1	SPACER	
7	52478609	1	DRIVEN GEAR	
8	58171139	2	LOCK SYNCHRONIZER	
9	52473835	1	DRIVEN GEAR	
10	56470138	3	BUSHING	
11	56470137	1	SHIM	
12	52473836	1	DRIVEN GEAR	
13	52473837	1	DRIVEN GEAR	
14	F0812957000	1	BEARING 6210 (50/90/20)	
15	52474251	1	COUNTERSHAFT	
16	F0812692015	1	ROLLER CAGE K 25X35/25	
17	35121035	1	SEEGER RING	
18	52470118	1	SLEEVE	
19	52470117	1	SLIDING SLEEVE	
20	F0812811000	2	ROLLER CAGE K 35X40/17	
21	F0801299100	2	SAFETY RING	
22	52478615	1	DOUBLE GEAR	
23	56378616	1	RING NUT	
24	56170760	1	RETAINING WASHER SP.1,0	
24	56174692	1	RETAINING WASHER SP.0,8	
24	56174693	1	RETAINING WASHER SP.0,9	
24	56174694	1	RETAINING WASHER SP.1,1	
24	56174695	1	RETAINING WASHER SP.1,2	
24	56175367	1	RETAINING WASHER SP.1,3	
25	52478617	1	GEAR	
26	37221320	2	BEARING	
27	35111080	1	SEEGER RING	
28	56370089	1	RING	
28	56370127	1	RING	

SERIAL

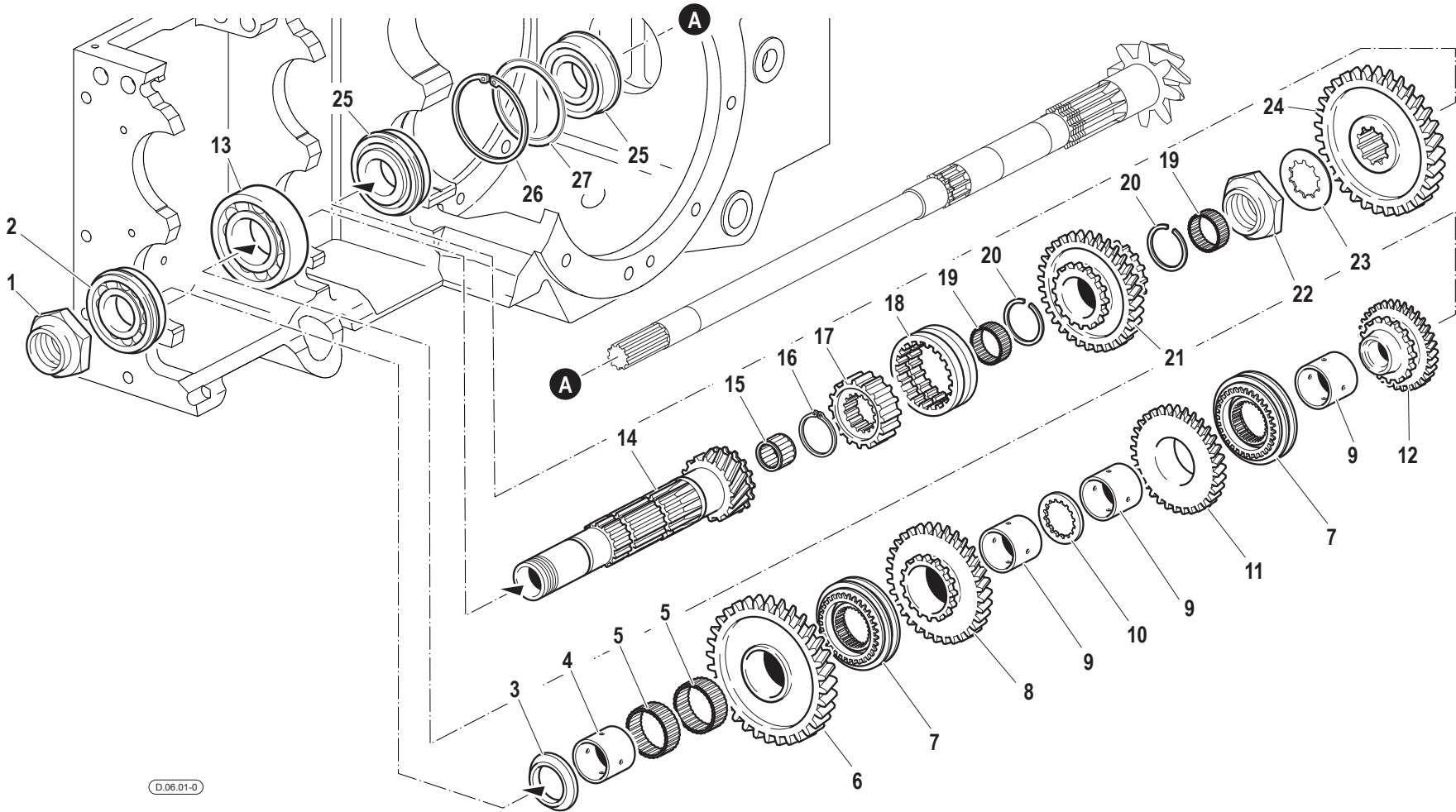
GEARS TRANSMISSION SHAFT / GEARS

Version: RS-M, RS-R, AR-M, AR-R

CODE REV

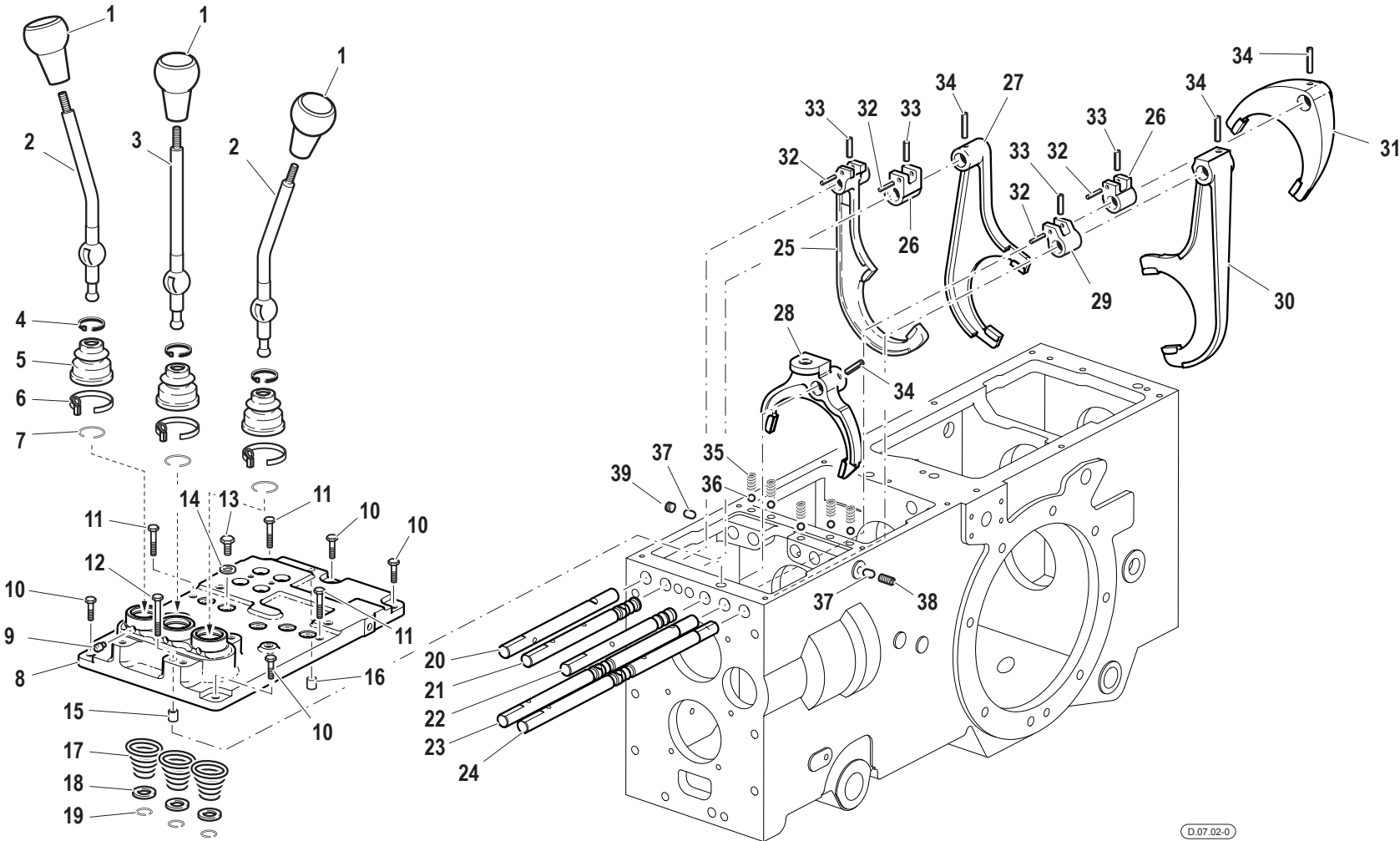
D.06.01_0_54411

GEARS TRANSMISSION SHAFT / GEARS



Pos.	Code	Q.ty	Description	Notes
28	56370128	1	RING	
28	56370830	1	RING	

GEARBOX CONTROLS



Pos.	Code	Q.ty	Description	Notes
1	58174192	3	HANDLE	
2	52374189	1	COMMAND LEVER	
3	52374386	1	COMMAND LEVER	
4	52378636	1	COMMAND LEVER	
5	F0817640003	3	CLAMP 4,8x180	
6	55170053	3	CAP	
7	58170054	3	COLLAR	
8	58070169	3	LOCKRING	
9	51179545	1	COVER	
10	56370018	6	HINGE PIN	
11	31112146	4	SCREW TE M8X22 UNI 5739 8G	
12	31112152	3	SCREW TE M8X30 UNI 5739 8G	
13	F0862944000	1	SCREW M8X60 UNI 5737	
14	56370186	5	PLUG	
15	F0843771000	5	COPPER WASHER 10,0x16/1	
16	56170017	1	PIN	
17	56570016	1	CYLINDRICAL PLUG	
18	58070164	3	SPRING	
19	56370172	3	SPACER	
20	58070168	3	LOCKRING	
21	56371065	1	PULL ROD	
22	56370177	1	PULL ROD	
23	56370165	1	ROD	
24	56378622	1	PULL ROD	
25	56378630	1	PULL ROD	
26	52274299	1	SELECTOR FORK	
27	52375896	1	CATCH	
28	52272112	1	SELECTOR FORK	
29	52273364	1	SELECTOR FORK	
30	52378629	1	CATCH	
31	51278623	1	SELECTOR FORK	
32	51270771	1	SELECTOR FORK	
33	F0851156000	4	PIN 4X30 DIN 1481 CL:C72	
34	F0851262000	4	PIN 6X26 DIN 7343 CL:C72	

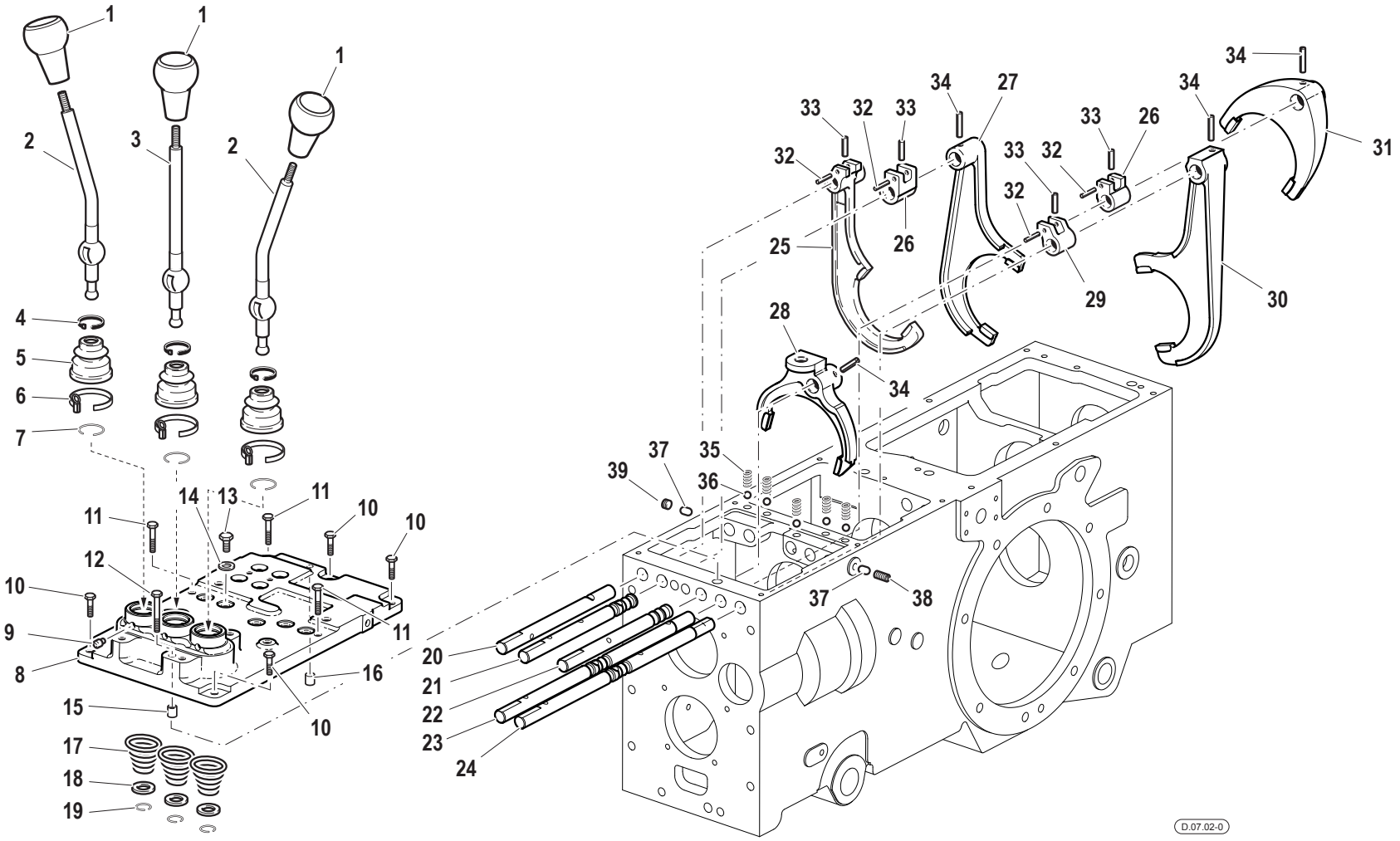
SERIAL
START
913987

GEARBOX CONTROLS

CODE REV
D.07.02_0_52066

GEARBOX CONTROLS

SERIAL START 913987



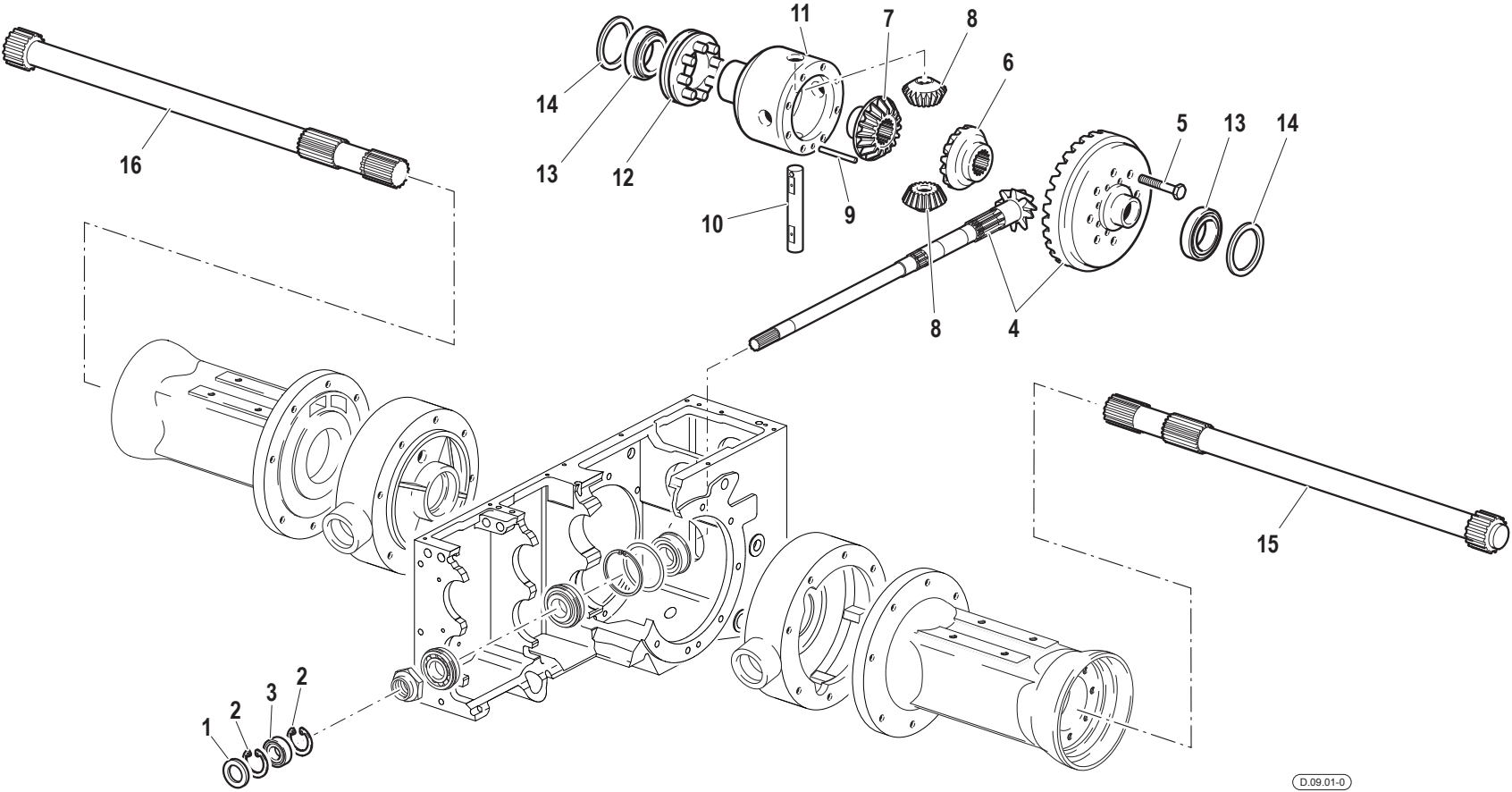
Pos.	Code	Q.ty	Description	Notes
35	F0851267050	3	PIN 6X30 DIN 7343 CL:C72	
36	52378628	1	CATCH	
37	58070741	5	SPRING	
38	F0847434000	5	BALL	
39	56570125	2	TOGGLE	
40	F0863183000	1	SCREW M10X16 UNI 5923	
41	F0852578060	1	CONICAL PLUG	

SERIAL
START
913987

GEARBOX CONTROLS

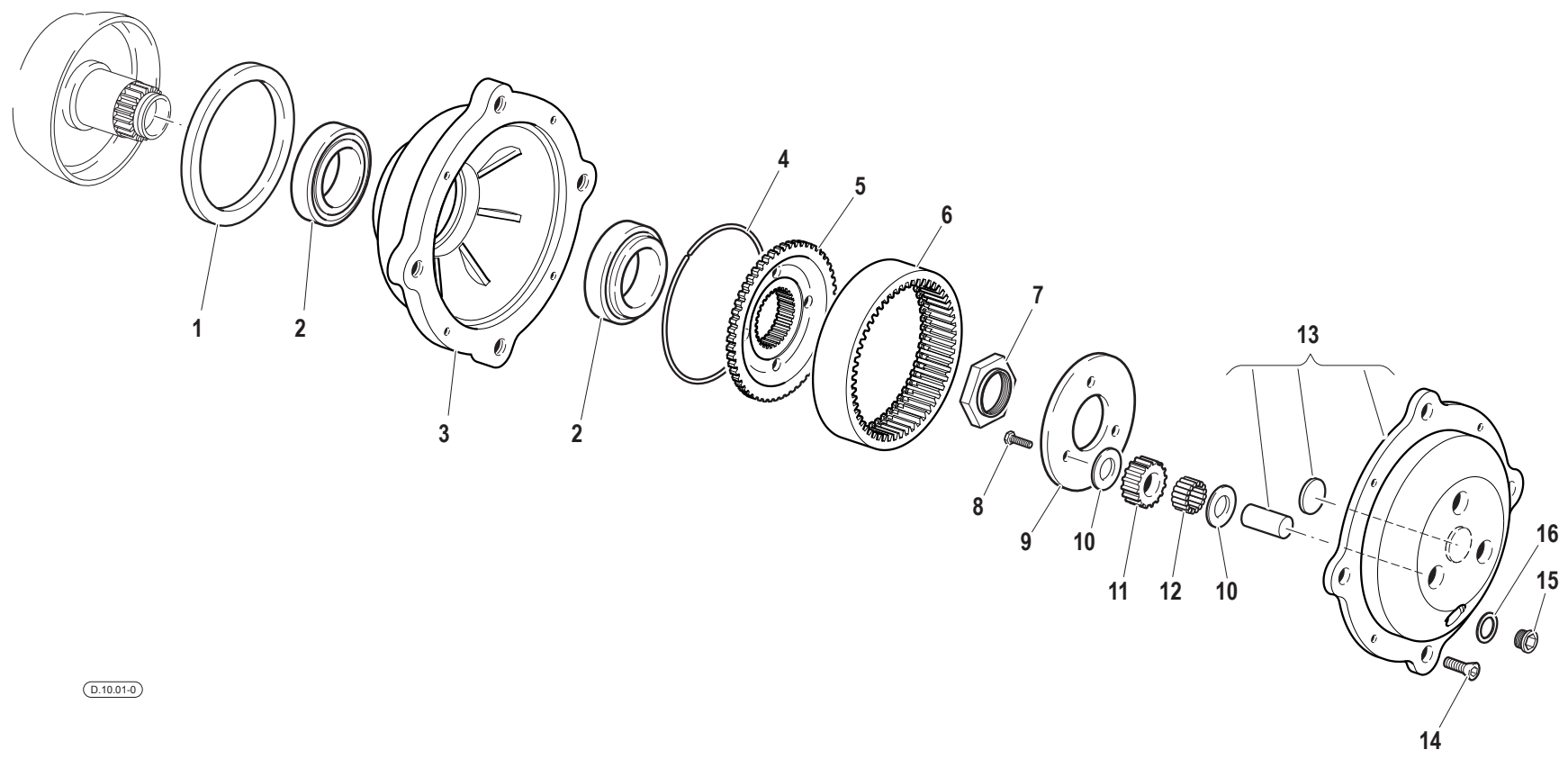
CODE REV
D.07.02_0_52066

REAR TRANSMISSION



Pos.	Code	Q.ty	Description	Notes
1	F0802104000	1	OIL SEAL 25x62/10	
2	35111062	2	SEEGER RING	
3	37111254	1	BEARING	
4	59378814	1	BEVEL GEAR	
5	F0863311250	8	SCREW M10x1,5x32	
6	52470062	1	PINION	
7	52470061	1	PINION	
8	52470067	2	DIFFERENTIAL PINION	
9	56371037	1	PIN	
10	56471036	1	PIN	
11	51371035	1	HOUSING	
12	59070065	1	SLEEVE	
13	F0812956000	2	BEARING 32010 X/Q	
14	56370089	1	RING	
14	56370127	1	RING	
14	56370128	1	RING	
14	56370830	1	RING	
15	52470106	1	REAR AXLE SHAFT	
16	52470105	1	REAR AXLE SHAFT	

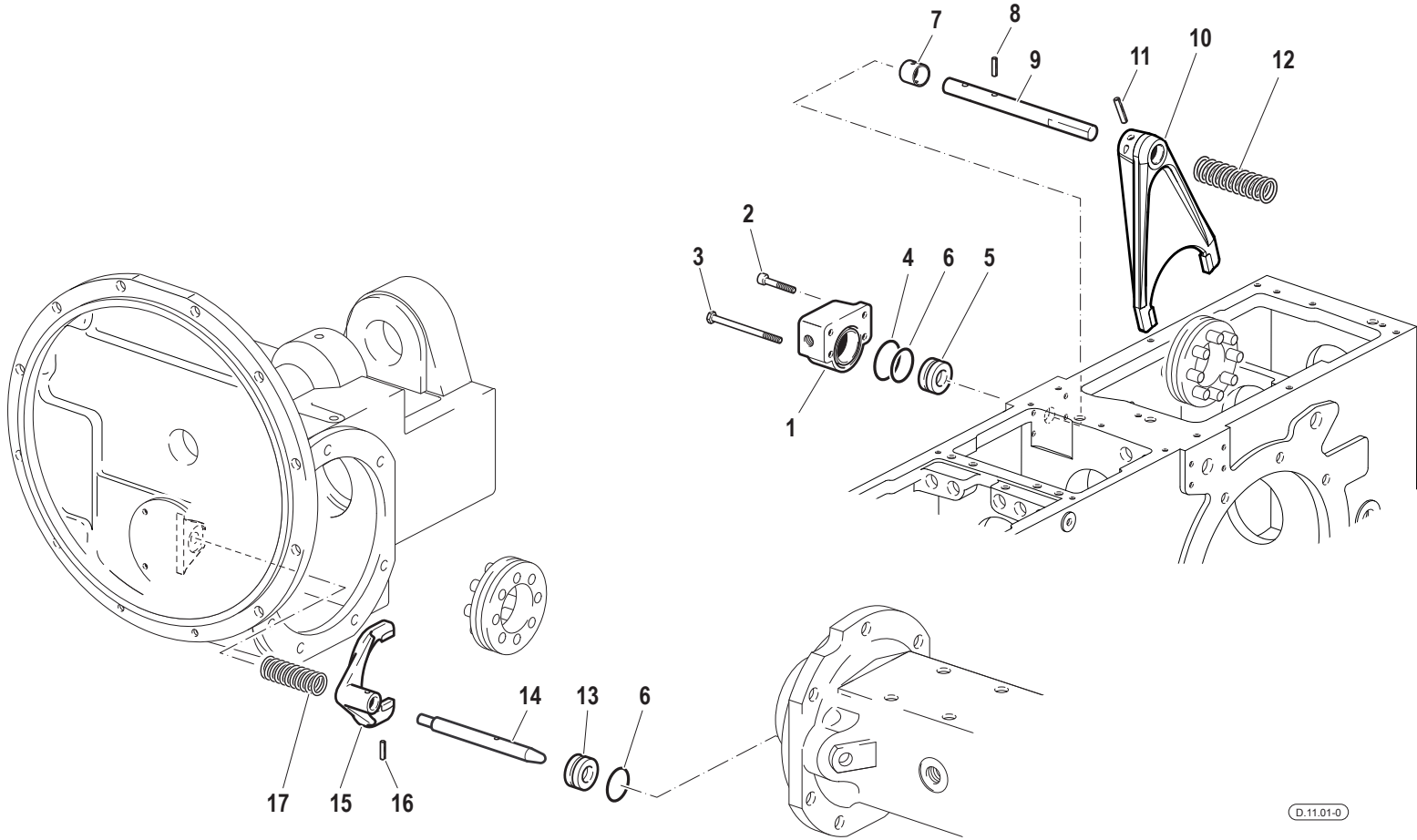
EPYCICLIC REDUCTION GEARS



D.10.01-0

Pos.	Code	Q.ty	Description	Notes
1	F0802700150	1	SEAL 125x150x12	
2	F0812975250	2	CYL. ROLLER BEARING 32013X	
3	51172005	1	HUB	
4	58070071	1	RING	
5	52370075	1	FLANGE	
6	52370072	1	CROWN WHEEL	
7	56370079	1	RING NUT	
8	F0862478070	3	SCREW M8x16	
9	56170074	1	ADJUSTING RING	
10	56370076	6	SHIM	
11	52470087	3	PLANETARY GEAR	
12	58170070	3	ROLLER BEARING	
13	59070094	1	COVER	
14	F0862655000	4	SCREW M8X25-5933	
15	56370081	1	PLUG	
16	F0844273090	1	GASKET 22X28X1,5 CU 99,5	

DIFFERENTIAL LOCK

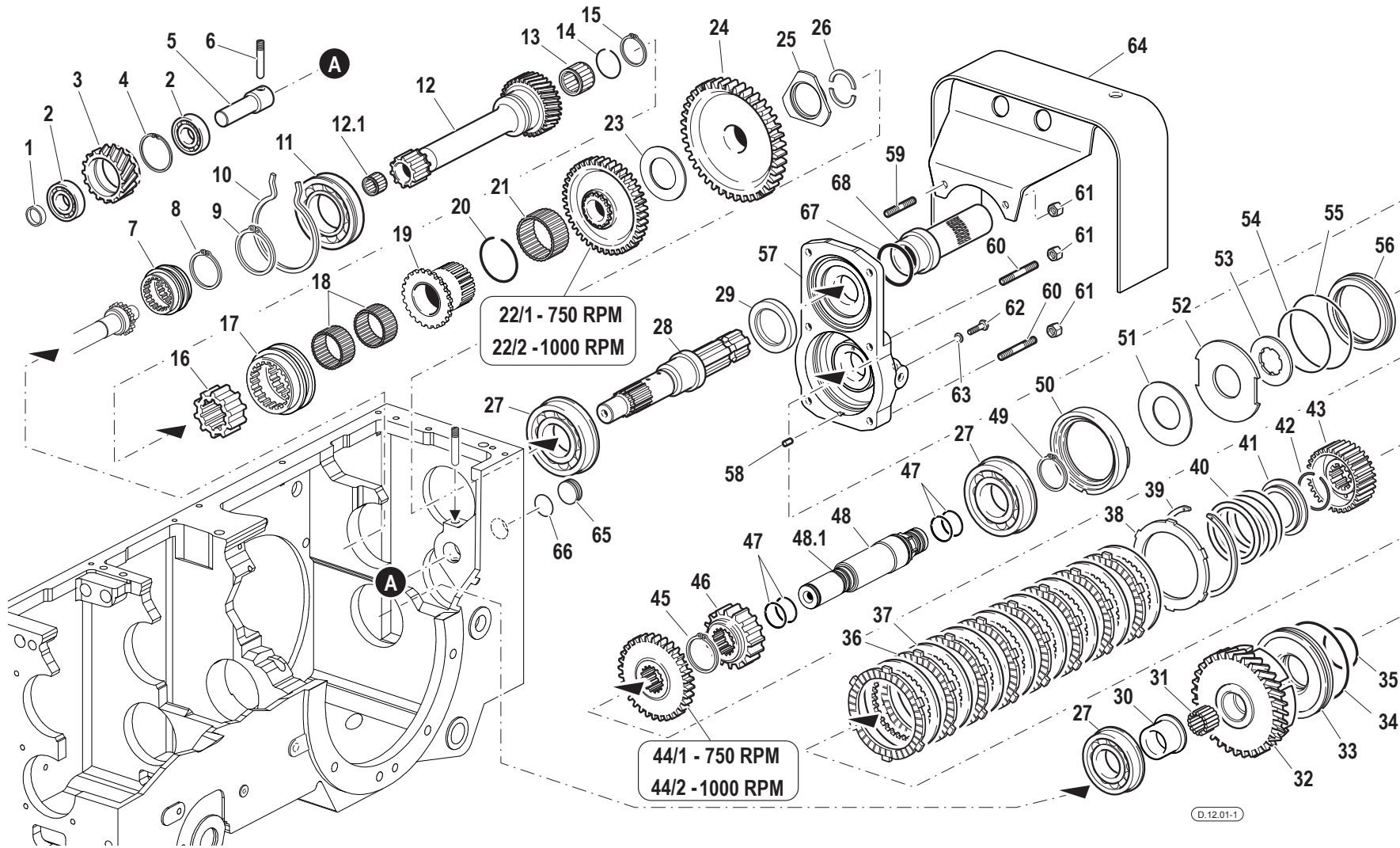


D.11.01-0

Pos.	Code	Q.ty	Description	Notes
1	52374641	1	SMALL BLOCK	
2	31152085	2	SCREW TCEI M8X25 UNI 5931	
3	31112161	2	SCREW TE M8X50 UNI 5737 8G	
4	F0803209000	1	O-RING	
5	56370187	1	PISTON	
6	58170195	2	GASKET	
7	56176127	1	BUSHING	
8	34213054	1	ROLL PIN	
9	56376256	1	LOCKING DEVICE	
10	51278573	1	FORK	
11	F0851267050	1	PIN 6X30 DIN 7343 CL:C72	
12	58070198	1	SPRING	
13	56370583	1	PISTON	
14	56370582	1	LOCKING DEVICE	
15	51270203	1	FORK	
16	F0851260000	1	PIN	
17	58070205	1	SPRING	

POWER TAKE-OFF

SERIAL START 911149



Pos.	Code	Q.ty	Description	Notes
1	56171572	1	SPACER	
2	F0812637000	2	BEARING 6204 (20x47x14)	
3	52476868	1	INTERMEDIATE WHEEL	
4	35111047	1	SEEGER RING	
5	56174108	1	GEAR PIN	
6	56370178	1	SCREW	
7	52470298	1	SLEEVE	
8	35121040	1	SEEGER RING	
9	F0801353000	1	SEEGER RING	
10	58170130	1	CIRCLIP	
11	F0812957010	1	BEARING 6210-N (50/90/20)	
12	59900376	1	PTO SHAFT	
12.1	F0812599086	1	BUSHING HK1816	
13	F0812689050	1	ROLLER CAGE K 25X33/20	
14	F0801248000	1	SAFETY RING	
15	F0801241010	1	SEEGER RING	
16	52476068	1	SLEEVE	
17	52476062	1	SHIFTING CLAW	
18	F0812784000	2	ROLLER CAGE K 32X37/27 H	
19	52478568	1	SHIFTING CLAW	
20	37931413	1	SAFETY RING	
21	F0812951300	1	ROLLER CAGE K 50X55/27 H	
22/1	52476065	1	DRIVEN GEAR	
22/2	52476066	1	DRIVEN GEAR	
23	56475568	1	SHIM	
24	52475991	1	DRIVEN GEAR	
25	56478567	1	SHIM	
26	56378566	2	HALF RING	
27	F0812918010	3	BEARING 6308-NR (40x90x23)	
28	52478565	1	PTO SHAFT	
29	F0802228005	1	SEAL 48x65/10	
30	56470987	1	BUSHING	
31	F0812736010	1	ROLLER CAGE K 30X35/20 H	
32	52475562	1	CLUTCH HOUSING	

SERIAL
START
911149

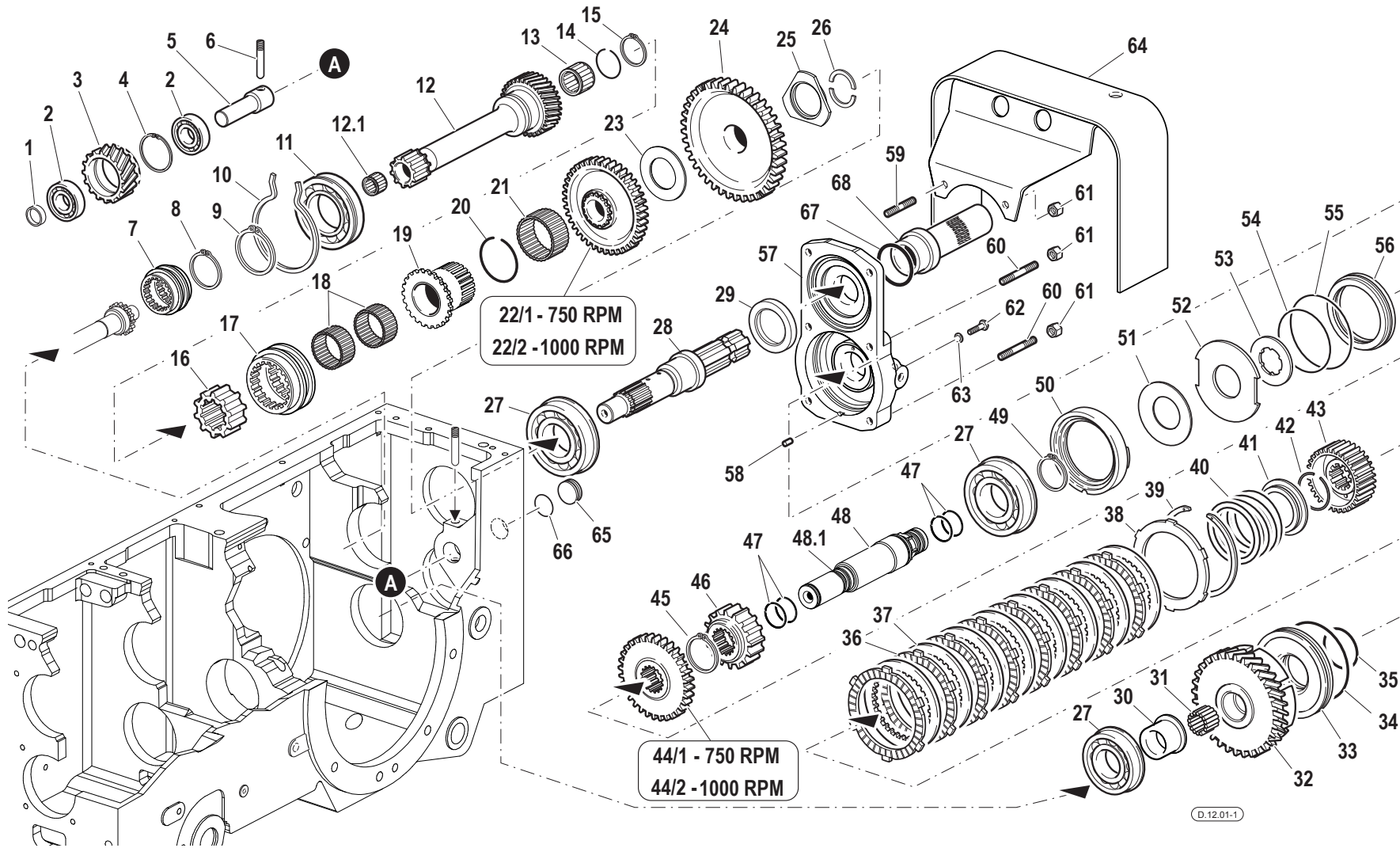
POWER TAKE-OFF

CODE REV

D.12.01_1_64208

POWER TAKE-OFF

SERIAL START 911149



Pos.	Code	Q.ty	Description	Notes
33	53273886	1	PISTON	
34	58172400	1	GASKET	
35	58172402	1	GASKET	
36	58172447	8	DISC	
37	58172448	8	DISC	
38	52372292	1	RING	
39	58072389	1	CIRCLIP	
40	58074092	1	RESTORING SPRING	
41	56372282	1	RING	
42	58072399	1	SAFETY RING	
43	52475565	1	DISC HUB	
44/1	52475994	1	GEAR	
44/2	52475996	1	GEAR	
45	F0801282050	1	SEEGER RING	
46	52475992	1	GEAR	
47	58072398	4	SEAL	
48	52475561	1	SHAFT	
48.1	F0852578060	2	CONICAL PLUG	
49	F0801297050	1	SEEGER RING	
50	56475516	1	SPACER	
51	58073889	1	CUP SPRING	
52	56475517	1	BRAKE DISC	
52	56475518	1	CLUTCH DISC	
52	56473890	1	BRAKE DISC	
52	56474713	1	BRAKE DISC	
52	56474714	1	BRAKE DISC	
53	56475844	1	CLUTCH DISC	
54	38116317	1	RING	
55	38118720	1	O-RING	
56	53273891	1	PISTON	
57	59377433	1	COVER	
58	F0851226000	1	PIN 6X12 UNI 1707 CL:C20	
59	F0838154010	2	STUD BOLT M8X25 UNI 5911 8.8	
60	31312089	4	STUD BOLT M8x52x14x18	

SERIAL
START
911149

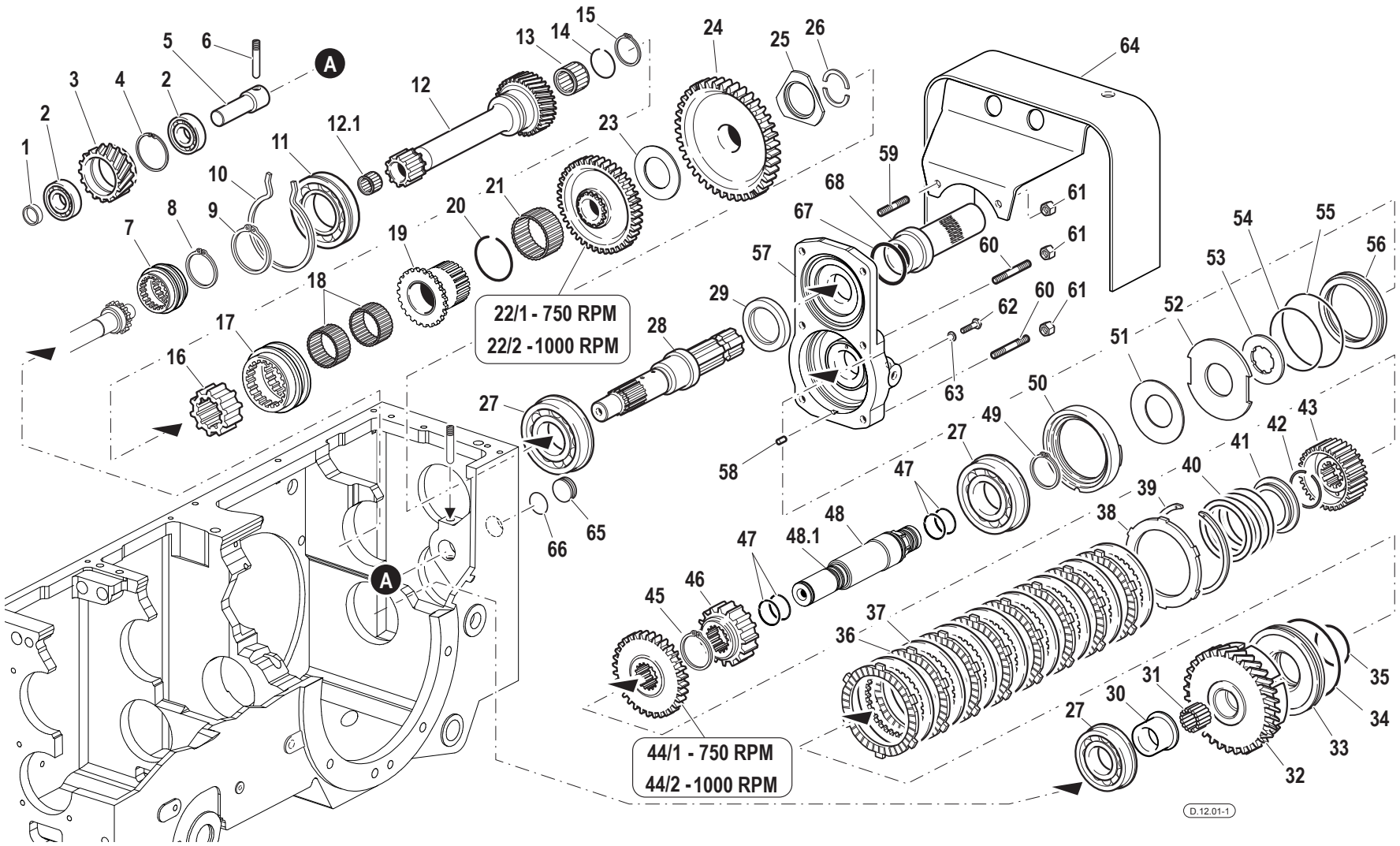
POWER TAKE-OFF

CODE REV

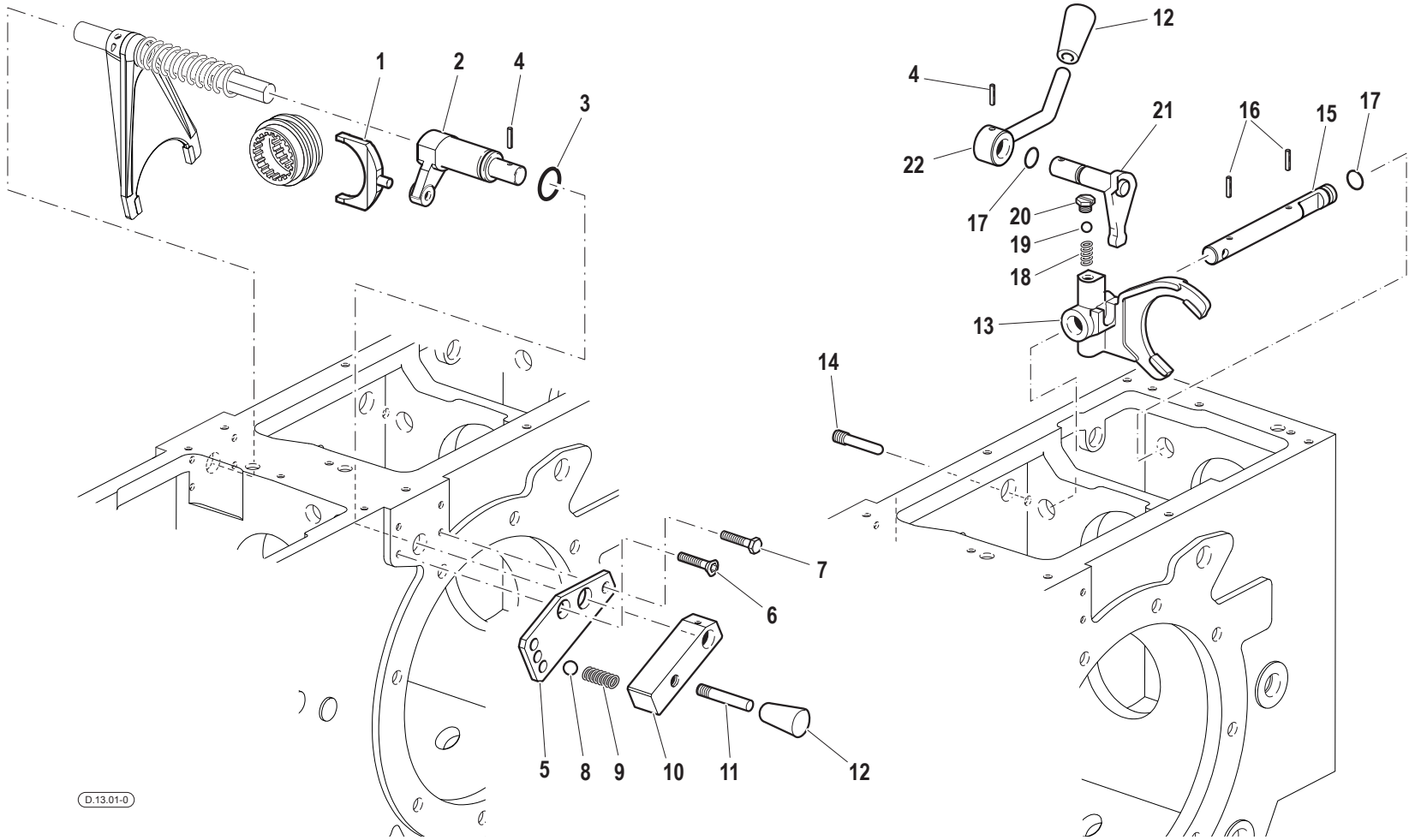
D.12.01_1_64208

POWER TAKE-OFF

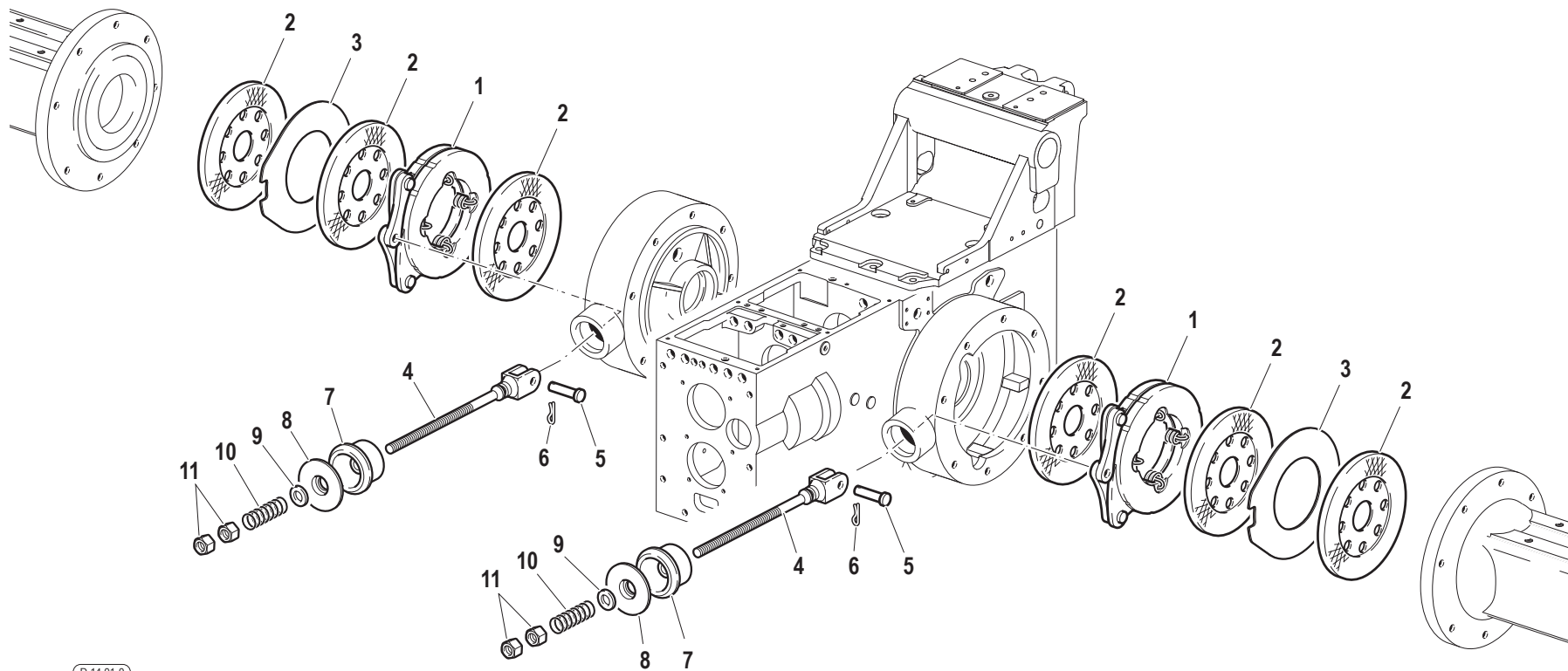
SERIAL START 911149



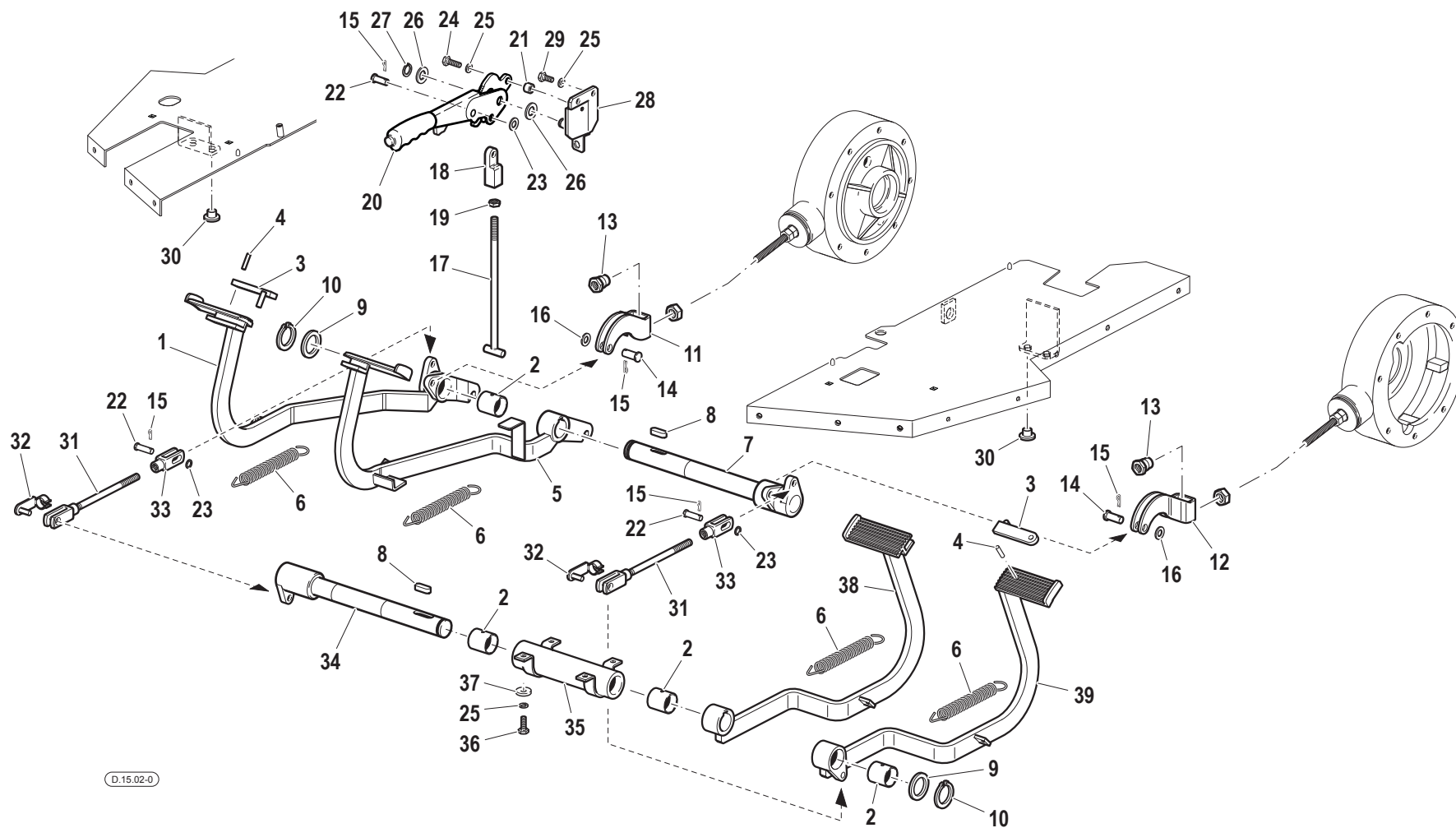
Pos.	Code	Q.ty	Description	Notes
61	31211080	6	NUT M8	
62	F0862448100	1	SCREW M8X10 UNI 5740	
63	F0843641000	1	COPPER WASHER 8x14/1,5	
64	59074993	1	P.T.O. PROTECTION	
65	56074313	1	PLUG	
66	F0803199010	1	O-RING	
67	P470433000000	1	PROTECTIVE RING	
68	P470330000000	1	GUARD	



Pos.	Code	Q.ty	Description	Notes
1	56470299	1	SELECTOR FORK	
2	52370152	1	LEVER	
3	38112200	1	O-RING	
4	34211054	1	ROLL PIN	
5	56374430	1	PLATE	
6	31132566	1	SCREW TSVEI M8X20 UNI 5933	
7	31112150	1	SCREW TE M8X20 UNI 5739 8G	
8	F0847462000	1	BALL RB-11.112	
9	F0831047000	1	SPRING	
10	56174431	1	LEVER	
11	56170447	1	TIP	
12	F0828468050	2	GRIP	
13	51275570	1	SELECTOR FORK	
14	56370178	1	SCREW	
15	56375571	1	ROD	
16	F0851180000	2	PIN 5X26 DIN 1481 CL:C72	
17	38111078	2	O-RING	
18	58070741	2	SPRING	
19	F0847434000	2	BALL	
20	56076055	1	PLUG	
21	59075572	1	LEVER	
22	59078865	1	LEVER	



Pos.	Code	Q.ty	Description	Notes
1	58170045	2	BRAKE	
2	58170703	6	BRAKE DISC	
3	58171019	2	SHIM	
4	56370038	2	ROD	
5	56470231	2	PIN	
6	F0810510000	2	SPLIT PIN A2,0X20 UNI 1336	
7	55170047	2	BOOT	
8	56170043	2	COVER	
9	31411130	2	WASHER 13x24	
10	58070366	2	RETAINING SPRING	
11	31231120	4	NUT M12	



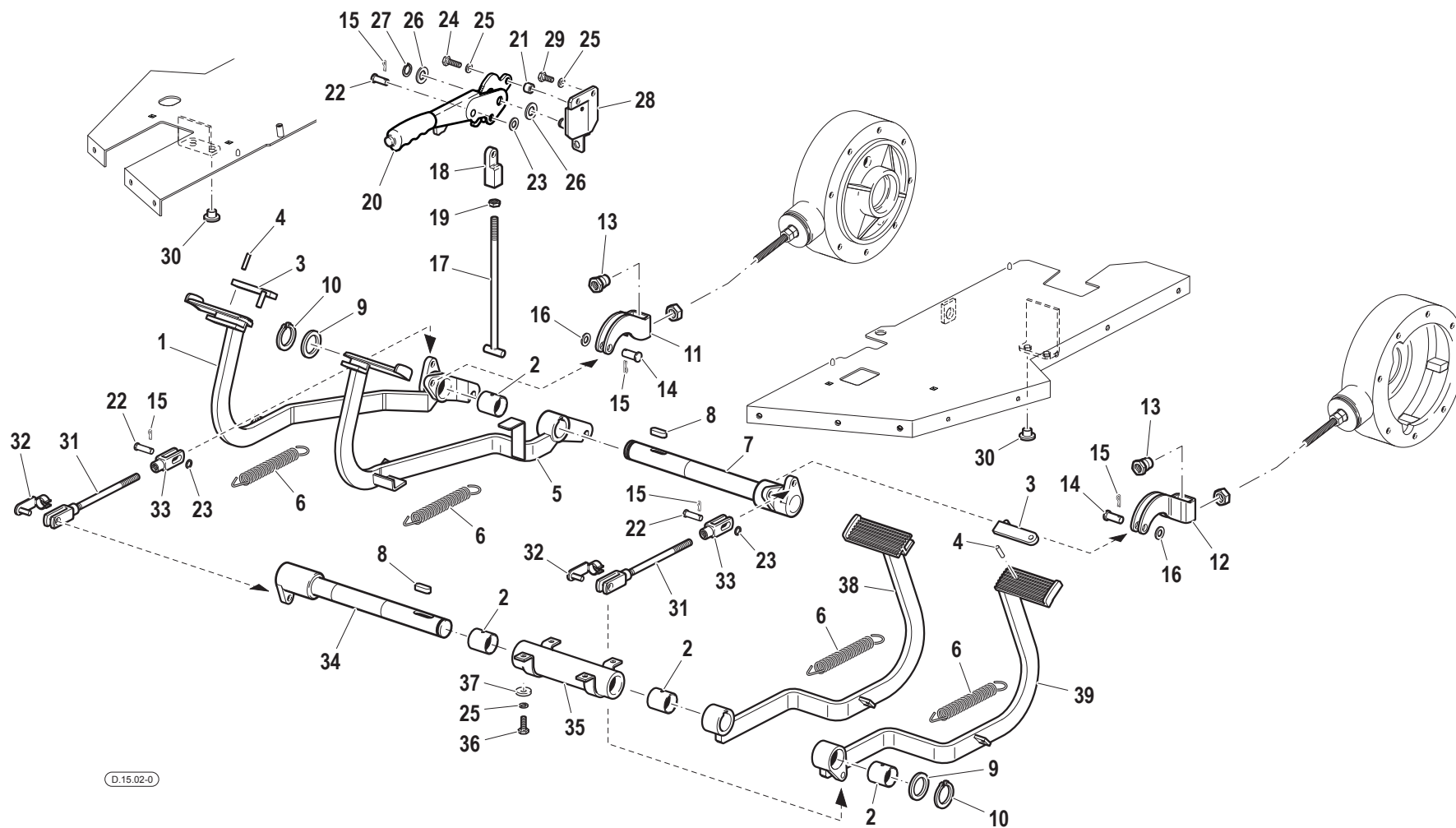
Pos.	Code	Q.ty	Description	Notes
1	59070325	1	BRAKE PEDAL	
2	58170026	4	BUSHING	
3	59070398	2	SMALL PLATE	
4	F0851262000	2	PIN 6X26 DIN 7343 CL:C72	
5	59070323	1	BRAKE PEDAL	
6	58070790	4	RESTORING SPRING	
7	59070333	1	SHAFT	
8	34321066	2	KEY A10X8X30 UNI 6604	
9	56170367	2	SHIM	
10	F0801241010	2	SEEGER RING	
11	56170795	1	RIGHT YOKE	
12	56170796	1	LEFT BRACKET	
13	52373177	2	NUT	
14	56470797	2	PIN	
15	F0810510000	5	SPLIT PIN A2,0X20 UNI 1336	
16	31411130	2	WASHER 13x24	
17	52375215	1	HANDBRAKE TIE-ROD	
18	56371721	1	SMALL BLOCK	
19	F0814627000	1	NUT M10	
20	58178960	1	HANDBRAKE LEVER	
21	56171936	1	SPACER	
22	56470365	3	PIN	
23	31411105	3	WASHER 10,5x21	
24	31112151	1	SCREW TE M8X25 UNI 5739 8G	
25	F0843643060	7	WASHER 8	
26	31411150	2	WASHER 15x28	
27	F0801095000	1	SEEGER RING	
28	59074459	1	RETAINER	
29	31112147	2	SCREW TE M8X18 UNI 5739 8G	
30	F0822537050	4	BUFFER	
31	59073242	2	ROD	
32	F0860091020	2	PIN	
33	50970418	2	FORK	
34	59074561	1	SHAFT	

SERIAL

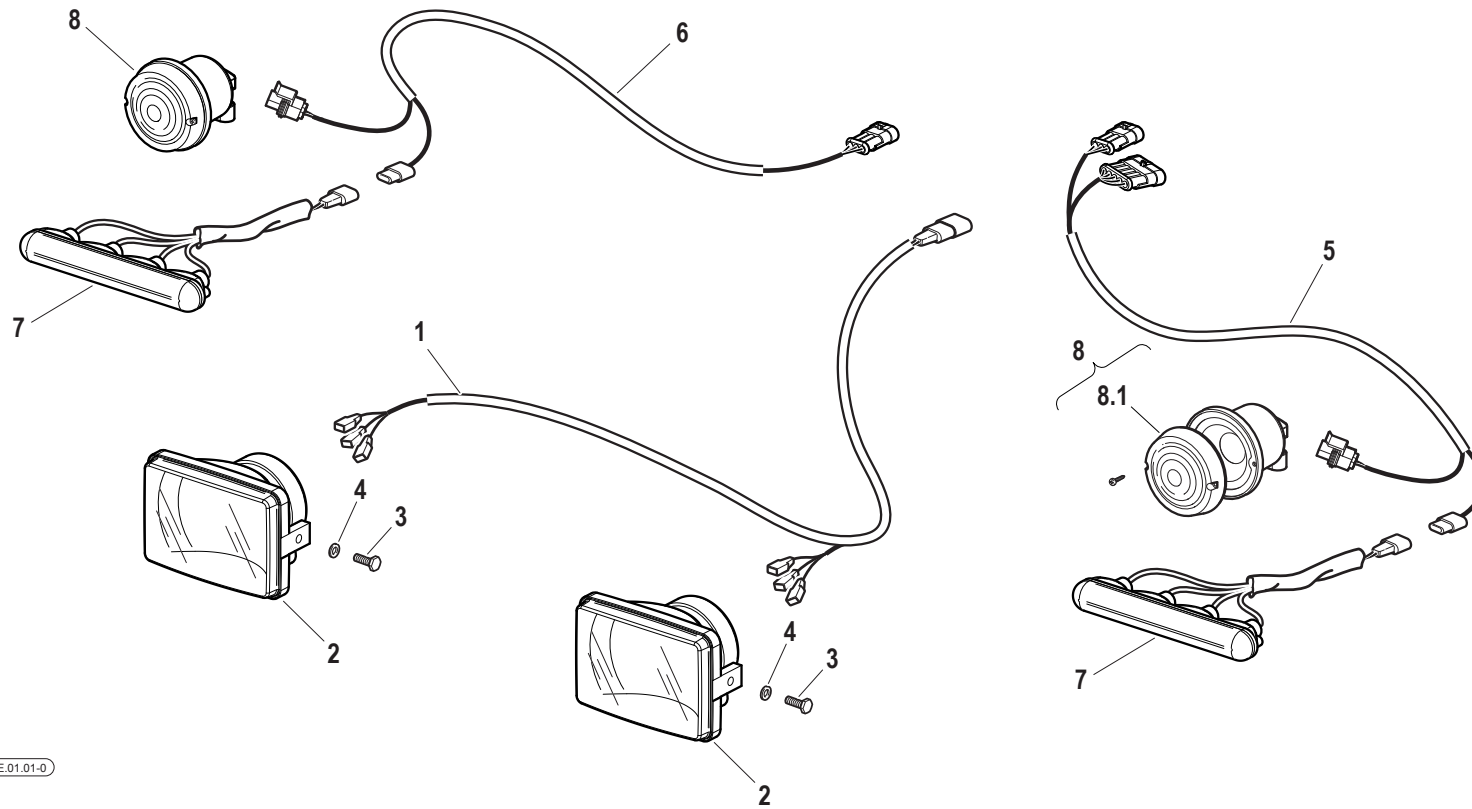
BRAKES CONTROLS

CODE REV

D.15.02_0_52771

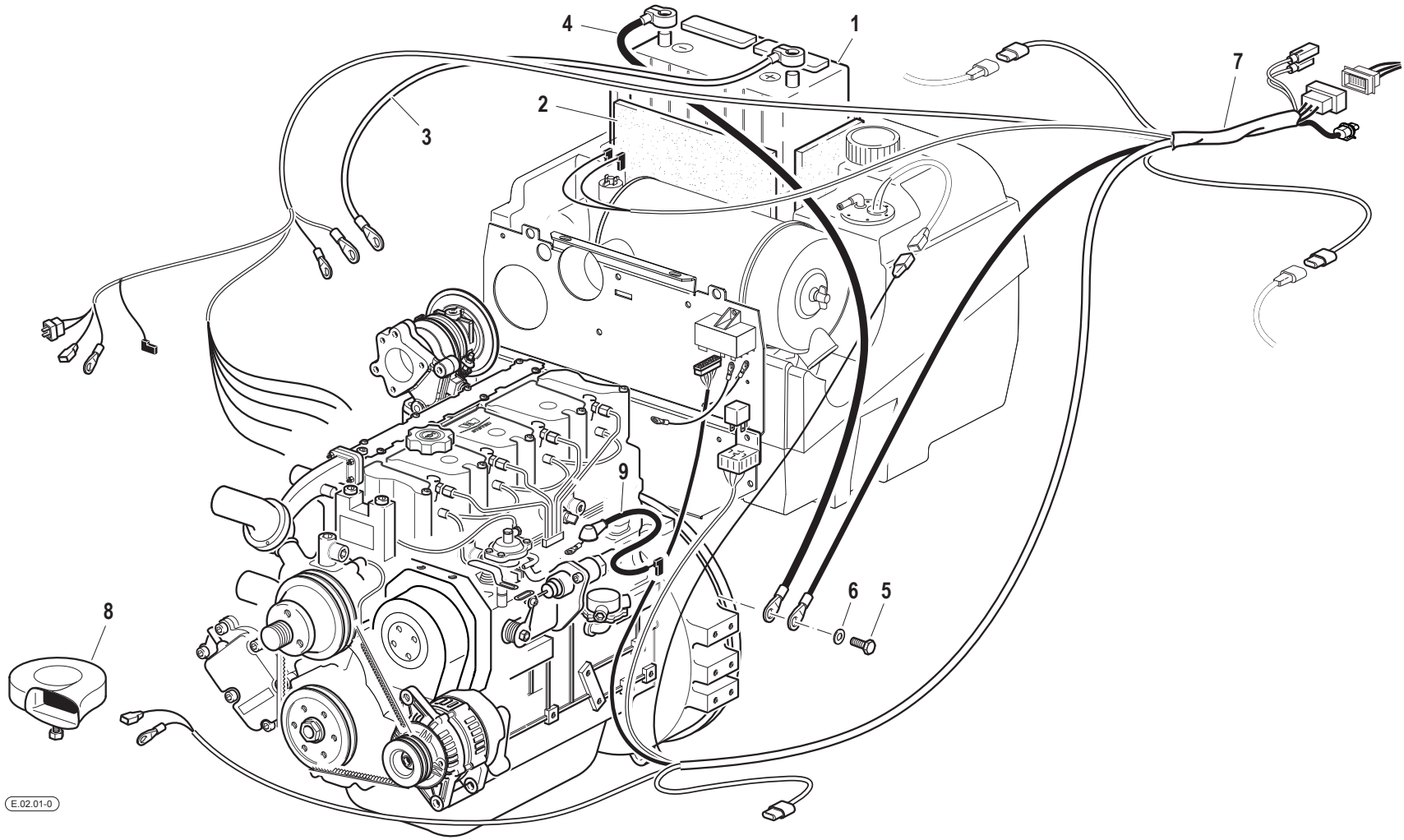


Pos.	Code	Q.ty	Description	Notes
35	59070051	1	PIPE	
36	31112146	4	SCREW TE M8X22 UNI 5739 8G	
37	F0843711000	4	WASHER D.24x8,5/4	
38	59074701	1	BRAKE PEDAL	
39	59074702	1	BRAKE PEDAL	



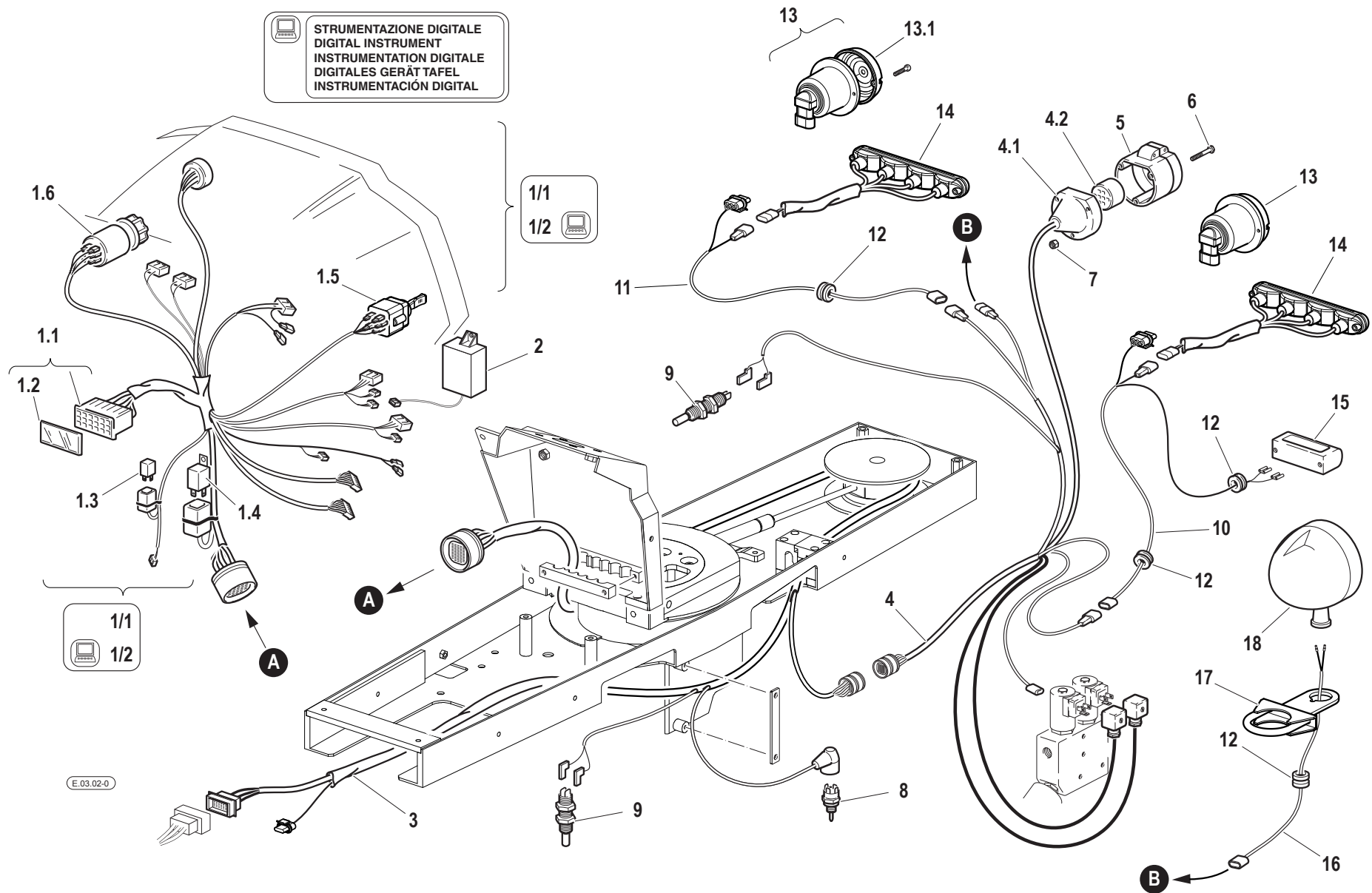
E.01.01-0

Pos.	Code	Q.ty	Description	Notes
1	58074904	1	CABLE	
2	58179010	2	OPTICAL GROUP	
3	31112082	4	SCREW TE M6X12 UNI 5739 8G	
4	31411064	4	WASHER 6,4x12,5	
5	58079395	1	CABLE	
6	58079394	1	CABLE	
7	58176406	2	INDICATOR	
8	58179413	2	POSITION LIGHT	
8.1	59901086	2	VETRO BIANCO FARO ANT.03438001	



Pos.	Code	Q.ty	Description	Notes
1	F0825480100	1	BATTERY	
2	F0190018909	1	LINING	
3	58071313	1	CABLE	
4	58072081	1	CABLE	
5	31112210	1	SCREW TE M10X20 UNI 5739	
6	F0843755000	1	WASHER 10	
7	58079755	1	CABLE	
8	F0825417000	1	HORN	
9	580A0117	1	CABLE	

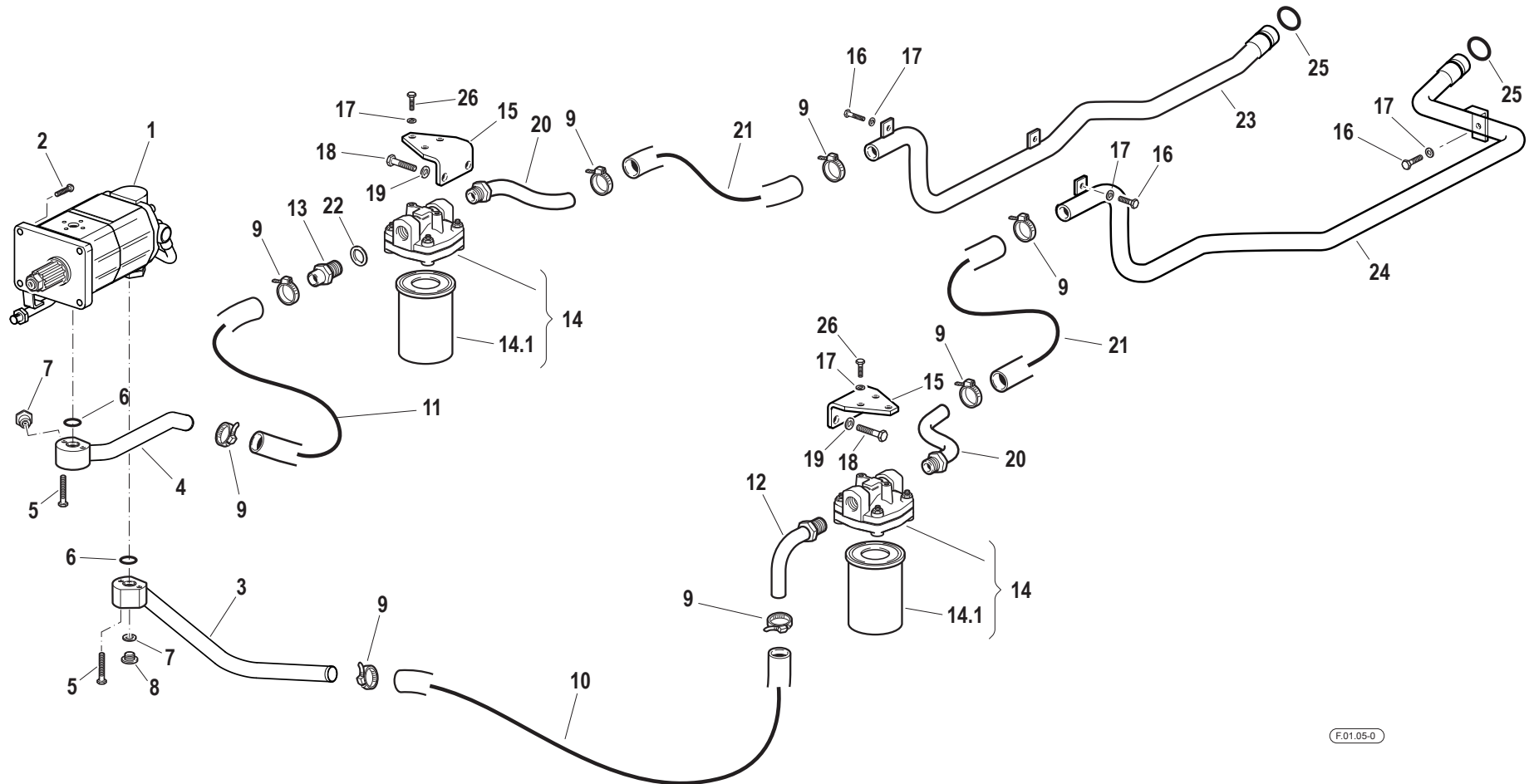
STRUMENTAZIONE DIGITALE
 DIGITAL INSTRUMENT
 INSTRUMENTATION DIGITALE
 DIGITALES GERÄT TAFEL
 INSTRUMENTACIÓN DIGITAL



E.03.02-0

Pos.	Code	Q.ty	Description	Notes
1/1	58077601	1	CABLE	
1.1	58170453	1	FUSE BOX	
1.2	58172267	1	COVER	
1/2	58077602	1	CABLE	
1.3	59900242	1	RELAY	
1.4	F0825139000	1	FLASHER	
1.5	F0825436000	1	SWITCH	
1.6	F0825436003	1	SWITCH	
2	58175700	1	SWITCHING CONTROL UNIT	
3	58079392	1	CABLE	
4	58079393	1	CABLE	
4.1	58170572	1	CAP	
4.2	58170571	1	ATTACHMENT PLUG	
5	F0825438000	1	SOCKET	
6	F0861941000	3	SCREW	
7	31211050	3	NUT M5	
8	30000638	1	SWITCH	
9	F0825488000	2	SWITCH	
10	58077061	1	CABLE	
11	58077062	1	CABLE	
12	58171901	4	CABLE GLAND 15,5-24-32-2	
13	58176396	2	LAMP	
13.1	59901087	2	REAR LIGHT GLASS	
14	58176406	2	INDICATOR	
15	30000506	1	LAMP	
16	58077305	1	CABLE	
17	59077242	1	SUPPORT	
18	F0825493000	1	HEADLIGHT	

HYDR. SYSTEM DOUBLE OIL SUCTION



Pos.	Code	Q.ty	Description	Notes
1	58179463	1	LIFT PUMP	
2	31152083	4	SCREW TCEI M8X30 UNI 5931	
3	59079479	1	SUCTION PIPE	
4	59076211	1	SUCTION PIPE	
5	F0862796000	4	SCREW M8X40 UNI 5931	
6	38112200	2	O-RING	
7	F0852538050	1	PLUG	
8	F0843907000	1	COPPER WASHER 13,66x19/1,5	
9	F0817503000	8	CLAMP 037,6-906R	
10	58173505	1	FLEXIBLE HOSE	
11	58176337	1	SUCTION PIPE	
12	59076213	1	PIPE	
13	56170350	1	PIPE FITTING	
14	58175014	2	FILTER	
14.1	F0825718020	2	FILTER INSERT	
15	56174725	2	OIL FILTER BRACKET	
16	31111151	4	SCREW TE M8X16 UNI 5739 8G	
17	F0843643060	12	WASHER 8	
18	31112210	4	SCREW TE M10X20 UNI 5739	
19	F0843755000	4	WASHER 10	
20	59076212	2	PIPE	
21	58176336	2	SUCTION PIPE	
22	F0824185000	1	COPPER WASHER 26X34X1,5	
23	59077778	1	SUCTION PIPE	
24	59077779	1	SUCTION PIPE	
25	38113142	2	O-RING	
26	31112150	4	SCREW TE M8X20 UNI 5739 8G	

SERIAL

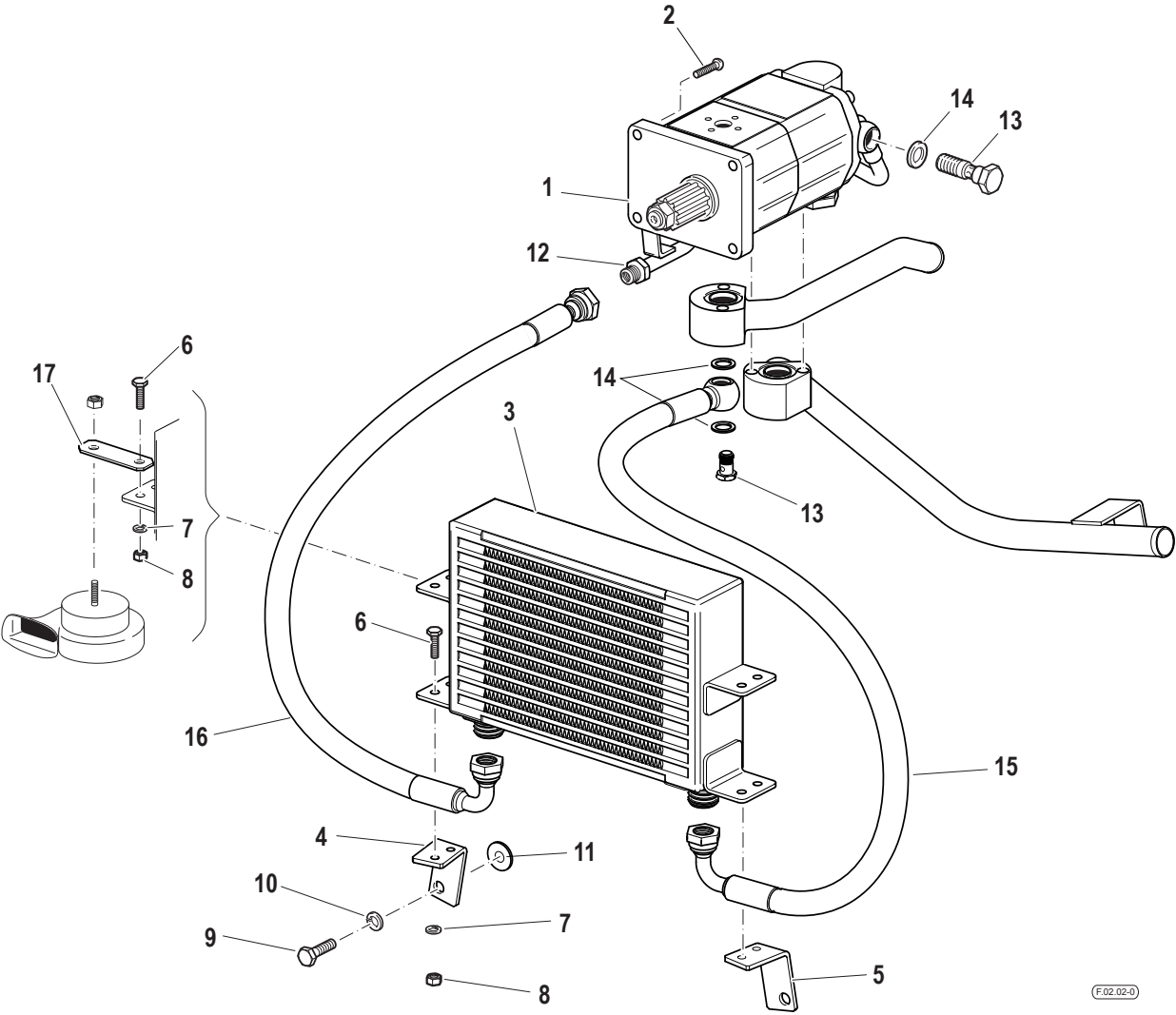
HYDR. SYSTEM DOUBLE OIL SUCTION

Engine: 85 CV, 95 CV

CODE REV

F.01.05_0_55833

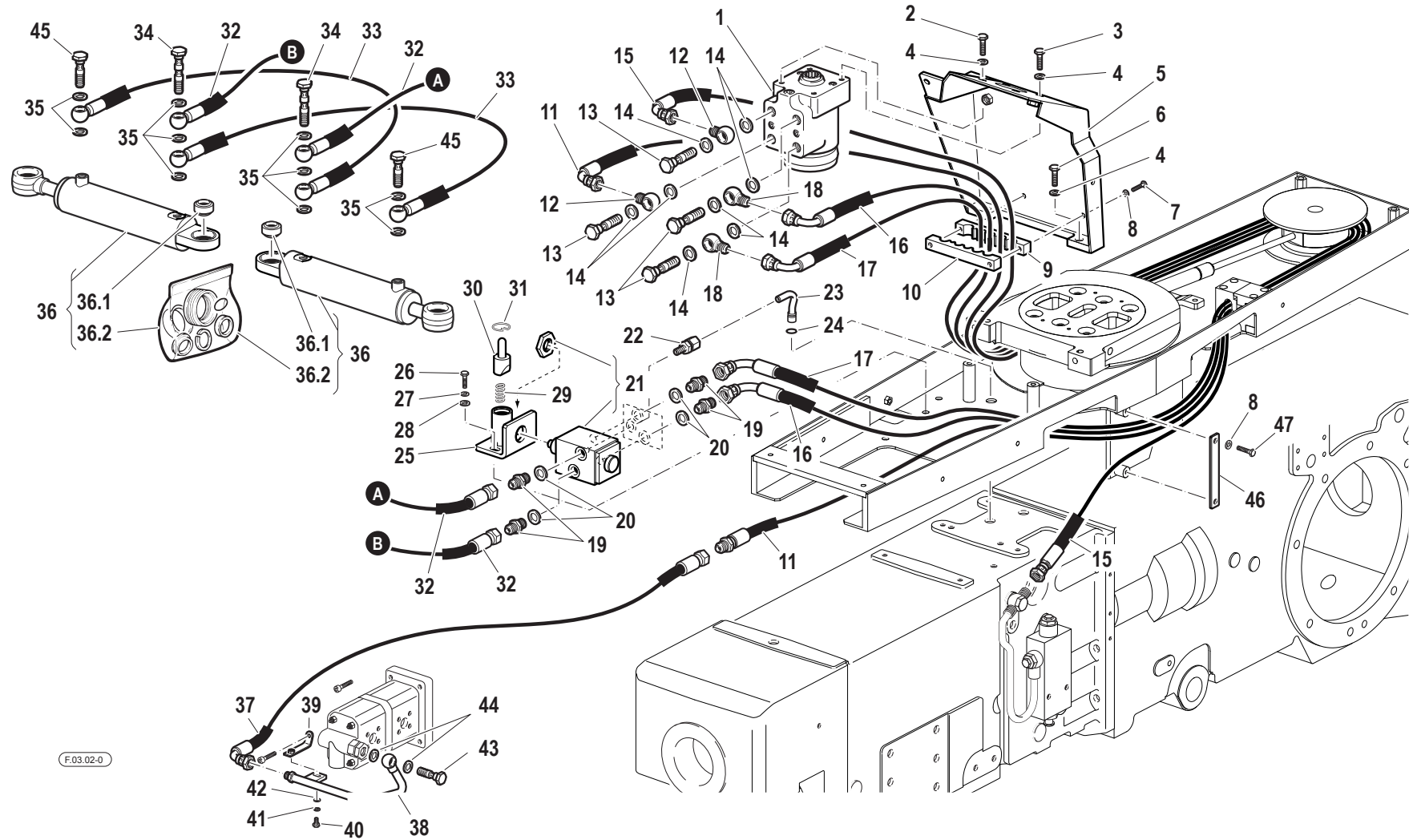
HYDR. SYSTEM : HEAT EXCHANGER



Pos.	Code	Q.ty	Description	Notes
1	58179463	1	LIFT PUMP	
2	31152083	4	SCREW TCEI M8X30 UNI 5931	
3	58177182	1	OIL EXCHANGER	
4	56174987	1	RIGHT YOKE	
5	56174988	1	LEFT BRACKET	
6	31112090	4	SCREW TE M6X16 UNI 5739 8G	
7	F0843570000	4	WASHER 6	
8	31211060	4	HEXAGONAL NUT M8	
9	31112210	2	SCREW TE M10X20 UNI 5739	
10	F0843755000	2	WASHER 10	
11	F0843815000	2	WASHER D.24x10,5/4	
12	59079478	1	PRESSURE PIPE	
13	56172547	1	THREADED TERMINAL END	
14	F0824113000	2	COPPER WASHER 18X24/1,5	
15	58076333	1	FLEXIBLE HOSE	
16	58076334	1	FLEXIBLE HOSE	
17	56175294	1	BRACKET	

STEERING HYDR. SYSTEM

SERIAL START 914705



Pos.	Code	Q.ty	Description	Notes
1	58178954	1	HYDROSTEERING	
2	31112210	1	SCREW TE M10X20 UNI 5739	
3	31112219	3	SCREW TE M10X25 UNI 5739	
4	F0843755000	6	WASHER 10	
5	59074332	1	SUPPORT	
6	31112211	2	SCREW TE M10X30 UNI 5739	
7	31112092	2	SCREW TE M6X35 UNI 5739 8G	
8	F0843570000	4	WASHER 6	
9	56174481	1	COMB	
10	56174480	1	COMB	
11	58074836	1	FLEXIBLE HOSE	
12	F0842512000	2	PIPE FITTING	
13	F0843116000	4	PIPE FITTING 1/2	
14	F0824141000	8	COPPER WASHER 21x27/1,5	
15	58079433	1	FLEXIBLE HOSE	
16	58074891	1	FLEXIBLE HOSE	
17	58074740	1	FLEXIBLE HOSE	
18	F0835040030	2	PIPE FITTING	
19	F0835031010	4	NIPPLE	
20	F0843907000	4	COPPER WASHER 13,66x19/1,5	
21	P227332000000	1	D.A. VALVE	
22	58174547	1	NIPPLE	
23	59074546	1	EXHAUST	
24	F0803050000	1	O-RING	
25	59074482	1	PLATE	
26	31112150	2	SCREW TE M8X20 UNI 5739 8G	
27	F0843643060	2	WASHER 8	
28	31411084	2	WASHER 8,4x17	
29	58077413	1	SPRING	
30	56174485	1	CURSOR	
31	F0801163000	1	SEEGER RING	
32	58074734	2	FLEXIBLE HOSE	
33	58074733	2	CONNECTION PIPE	
34	30000211	2	HOLLOW SCREW M14X1,5	

SERIAL
START
914705

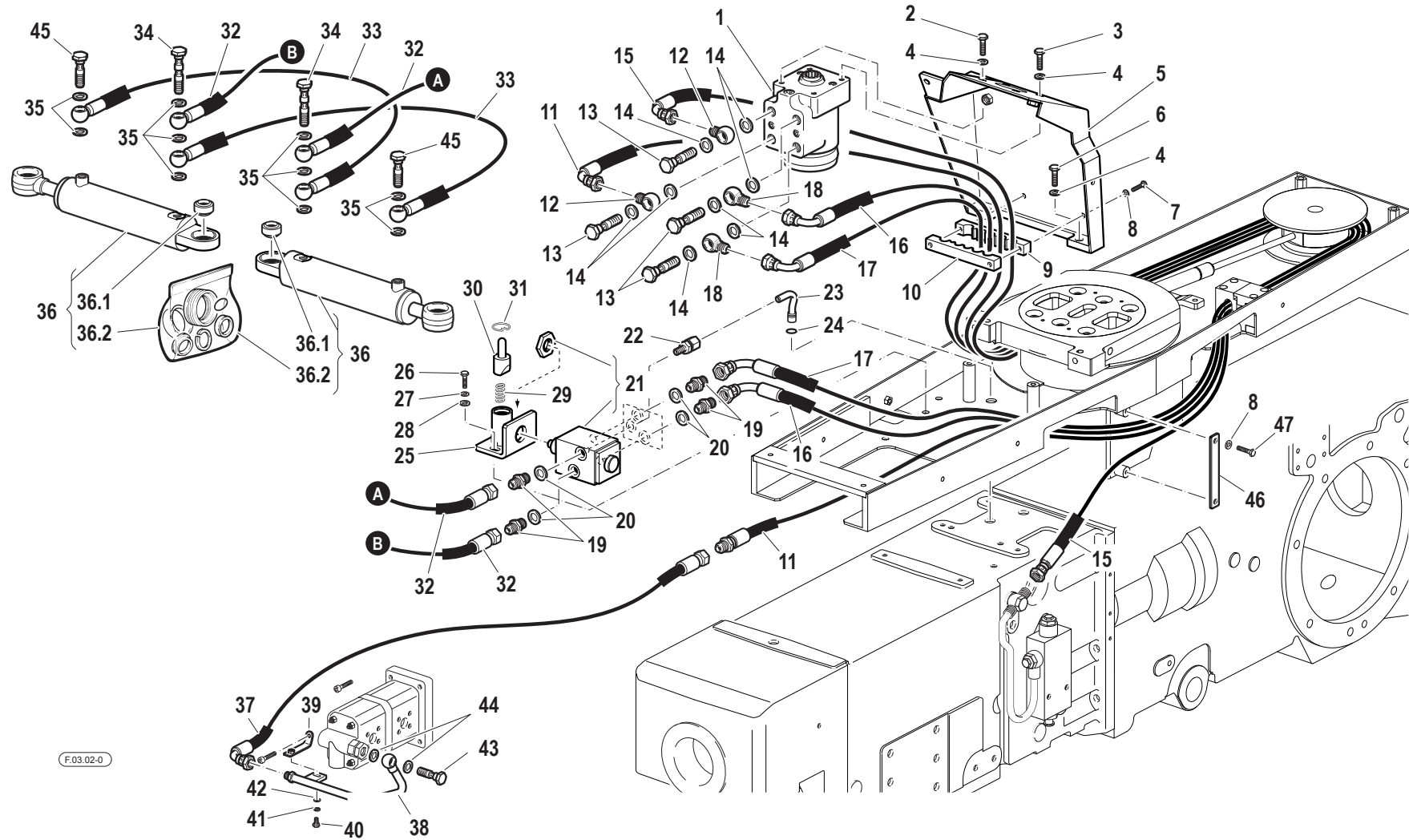
STEERING HYDR. SYSTEM

CODE REV

F.03.02_0_53000

STEERING HYDR. SYSTEM

SERIAL START 914705

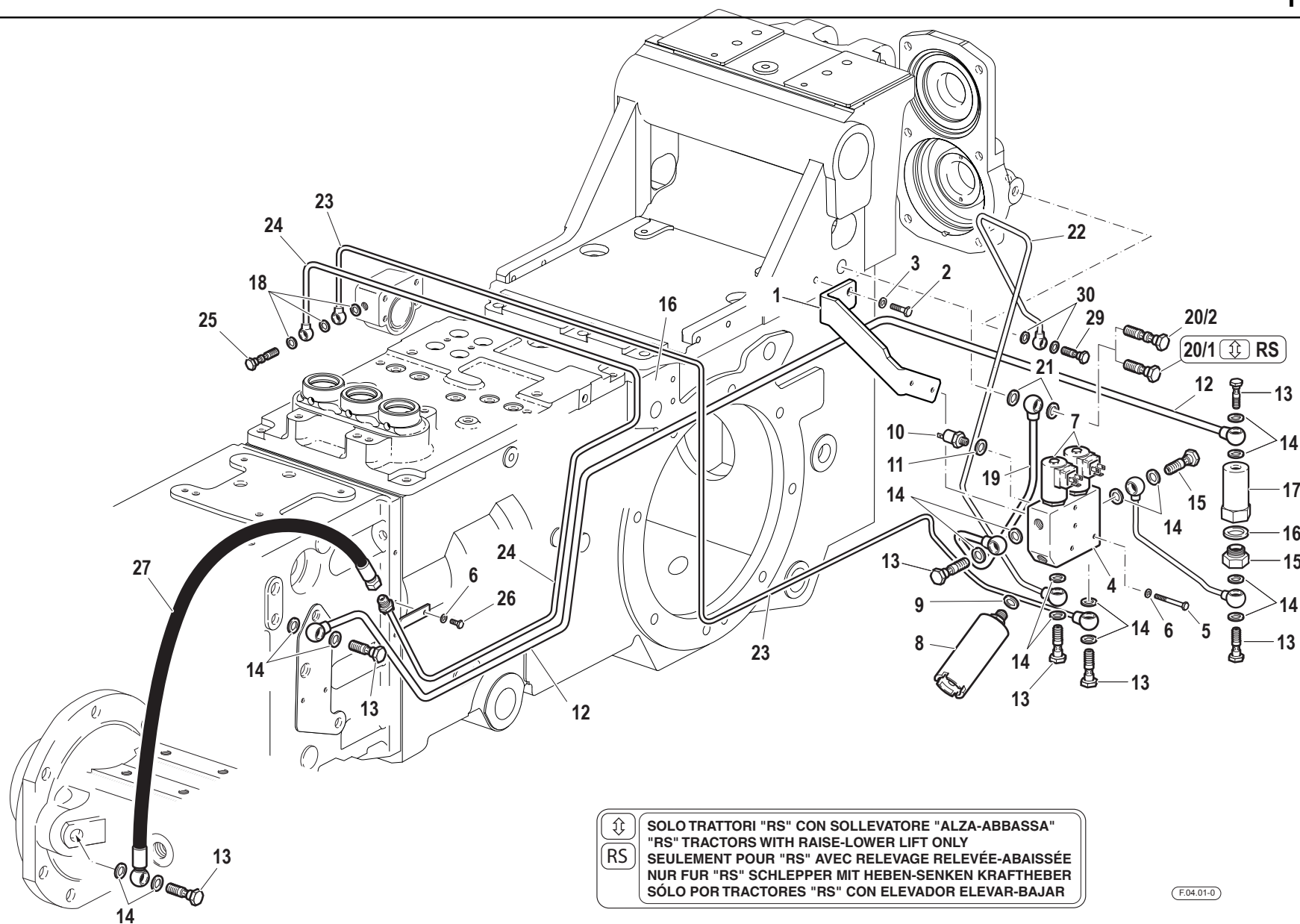


Pos.	Code	Q.ty	Description	Notes
35	F0843948000	10	COPPER WASHER 14,0x20/1,5	
36	58174710	2	STEERING CYLINDER	
36.1	58171739	1	BALL JOINT	
36.2	59900339	1	GASKET SET	
37	58075248	1	FLEXIBLE HOSE	
38	59075224	1	PRESSURE PIPE	
39	59075225	1	FIXING BRACKET	
40	31112090	1	SCREW TE M6X16 UNI 5739 8G	
41	F0843570000	1	WASHER 6	
42	31411064	1	WASHER 6,4x12,5	
43	F0843110010	1	THREADED TERMINAL END M18x1,5	
44	F0824113000	2	COPPER WASHER 18X24/1,5	
45	56174494	1	SMALL PLATE	
46	F0862129000	2	SCREW M6X18 UNI 5739 8.8	
47	F0843109000	2	PIPE FITTING 14x1,5	
48	30000795	1	ADATT.3 VIE 3/8 OR:TI05060606	
49	58079435	1	PRESSURE HOSE	
50	58079434	1	PRESSURE HOSE	
51	F0843107000	1	PIPE FITTING GAS 1/4	
52	F0843907000	2	COPPER WASHER 13,66x19/1,5	
53	F0843109020	1	PIPE FITTING	
54	F0824110000	2	COPPER WASHER 3/8 GAS	
55	F0256909000	1	GUARD	

SERIAL
START
914705

STEERING HYDR. SYSTEM

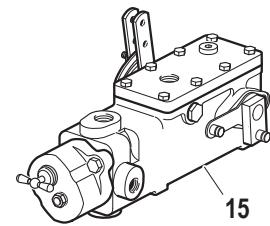
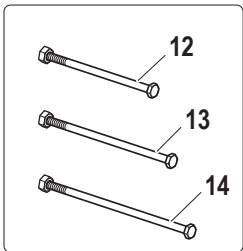
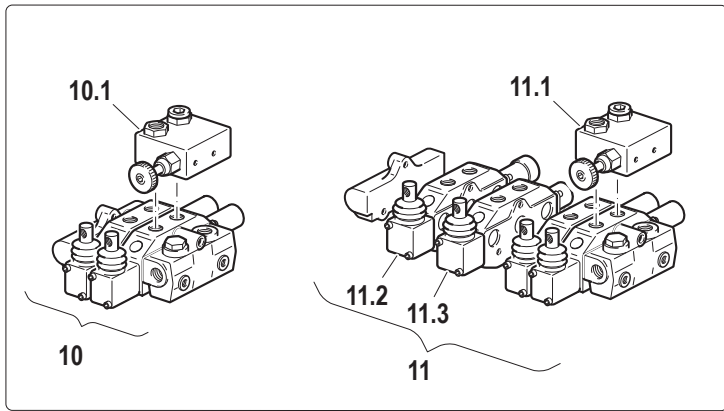
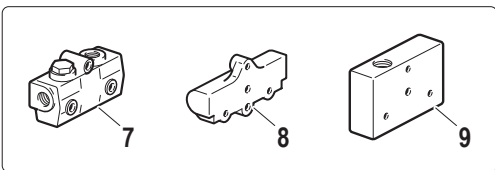
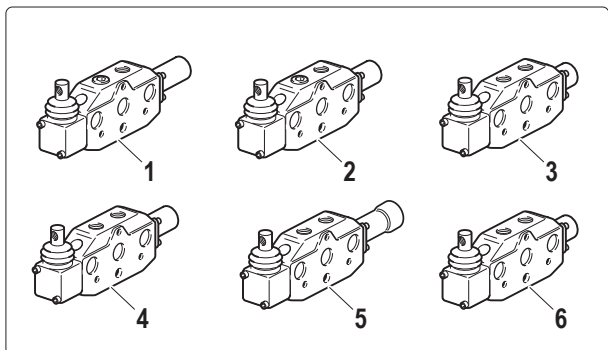
CODE REV
F.03.02_0_53000



Pos.	Code	Q.ty	Description	Notes
1	56174665	1	SUPPORT	
2	31112150	2	SCREW TE M8X20 UNI 5739 8G	
3	F0843643060	2	WASHER 8	
4	56172749	1	SMALL BLOCK	
5	F0862345000	2	SCREW M6X40 UNI 5737	
6	F0843570000	3	WASHER 6	
7	58172463	2	ELECTRO VALVE	
8	59271011	1	UNIT	
9	F0843948000	1	COPPER WASHER 14,0x20/1,5	
10	58173399	1	PRESSURE SWITCH	
11	F0843841000	1	COPPER WASHER 12,0x18/1,5	
12	59075678	1	PRESSURE PIPE	
13	F0843107000	8	PIPE FITTING GAS 1/4	
14	F0843907000	16	COPPER WASHER 13,66x19/1,5	
15	58175677	1	HEAD	
16	F0824185000	1	COPPER WASHER 26X34X1,5	
17	58175676	1	BODY	
18	F0843771000	3	COPPER WASHER 10,0x16/1	
19	59074744	1	EXHAUST	
20/1	F0843109020	1	PIPE FITTING	
20/2	58170693	1	PIPE FITTING	
21	F0824110000	2	COPPER WASHER 3/8 GAS	
22	59075917	1	PRESSURE PIPE	
23	59074748	1	PRESSURE PIPE	
24	59074749	1	PRESSURE PIPE	
25	58174732	1	HOLLOW SCREW	
26	31111090	1	SCREW	
27	58074736	1	FLEXIBLE HOSE	
28	59075679	1	PIPE	
29	56178695	1	THREADED TERMINAL END	
30	P254124000000	2	WASHER	



- VEDI TAVOLE GRUPPI...
- SEE TABLES OF GROUPS...
- VOIR TABLES GROUPES...
- SIEHE GRUPPETAFFEL...
- MIRAR TABLAS GRUPOS...

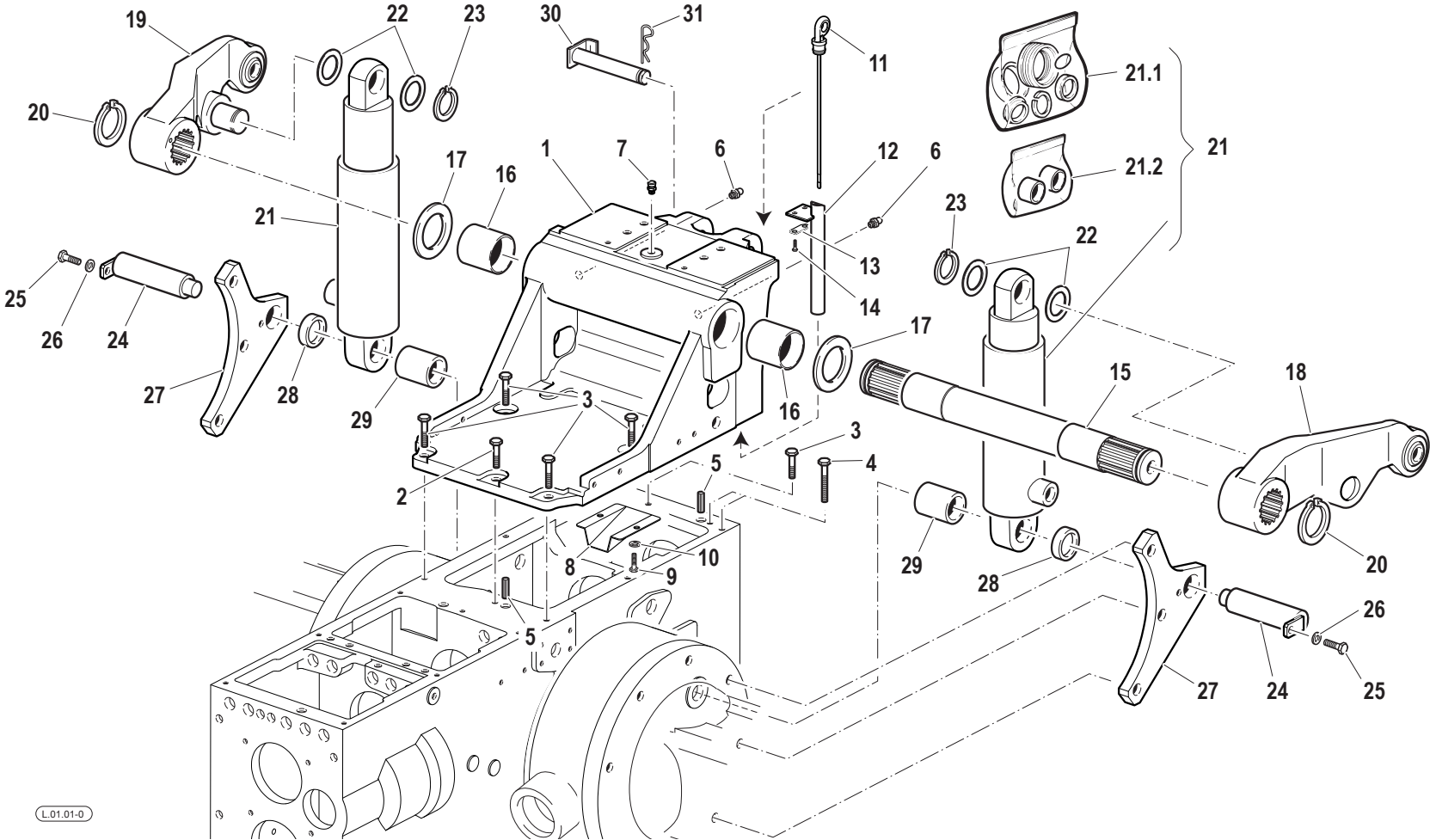


VEDI TAVOLE GRUPPO...
SEE TABLES OF GROUP...
VOIR TABLES GROUPE...
SIEHE GRUPPETAFFEL...
MIRAR TABLAS GRUPO...



Pos.	Code	Q.ty	Description	Notes
1	58172011	1	S.A. VALVE	
2	58172707	1	S.A. VALVE	
3	58172012	1	D.A. VALVE	
4	58172013	1	D.A. VALVE	
5	58172014	1	D.A. VALVE	
6	58172240	1	D.A. VALVE	
7	58172304	1	HEAD	
8	58172489	1	COVER	
9	58173361	1	COVER	
10	58171925	1	FLOATING DEVICE GROUP	
10.1	59900230	1	VALVE	
11	58174974	1	FLOATING DEVICE GROUP	
11.1	59900230	1	VALVE	
11.2	58172014	1	D.A. VALVE	
11.3	58172240	1	D.A. VALVE	
12	58172016	1	ROD	
13	58172017	1	ROD	
14	58172018	1	ROD	
15	58175191	1	DISTRIBUTOR	

RAISE/LOWER LIFT



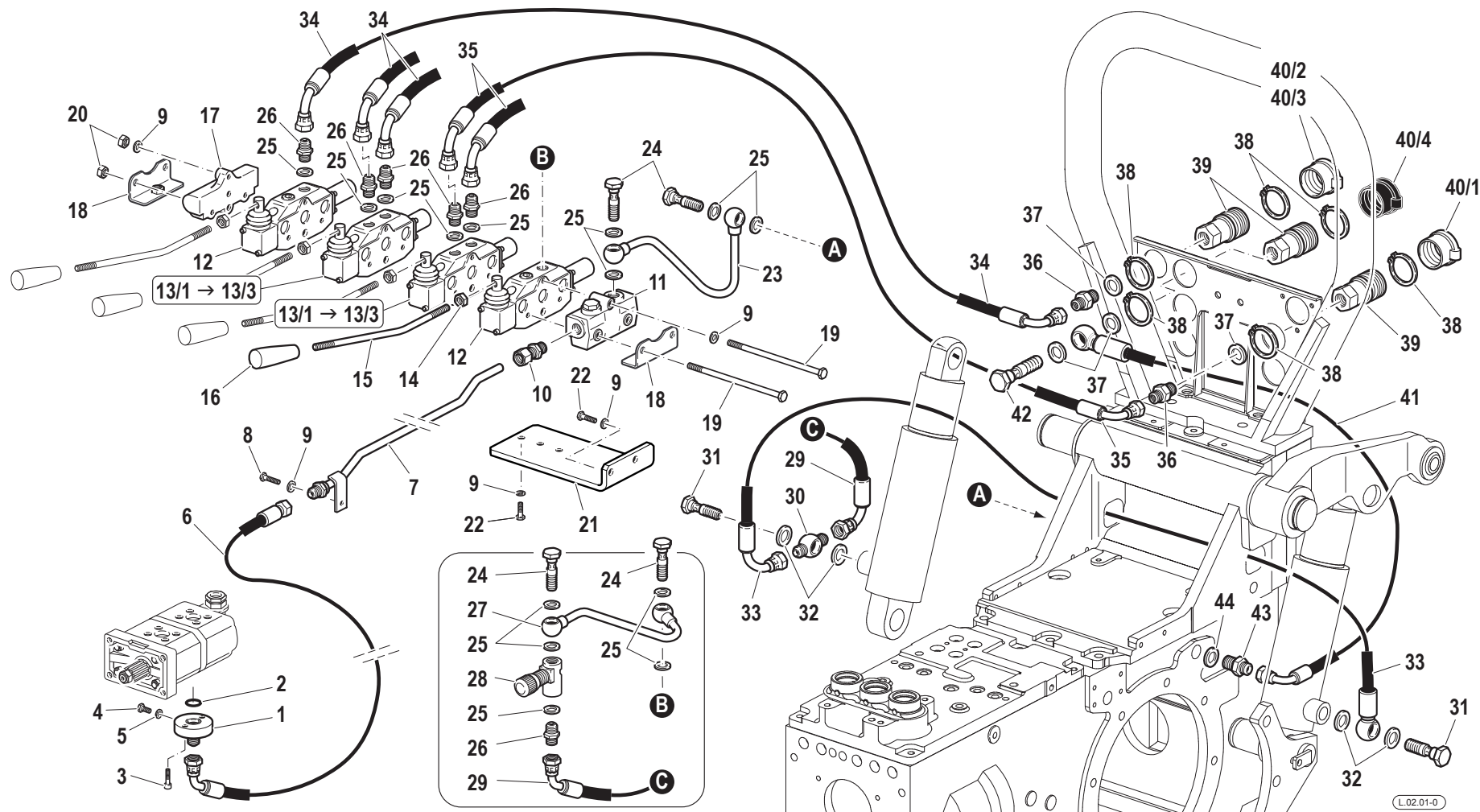
Pos.	Code	Q.ty	Description	Notes
1	51174315	1	SUPPORT	
2	31112219	1	SCREW TE M10X25 UNI 5739	
3	31112211	5	SCREW TE M10X30 UNI 5739	
4	F0863429000	4	SCREW M10X45 UNI 5737	
5	56570016	2	CYLINDRICAL PLUG	
6	F0826056000	1	LUBRICATOR M10 UNI 7663A	
7	58075603	1	PLUG	
8	56173638	1	GUARD	
9	31112149	2	SCREW TE M8X12 UNI 5739 8G	
10	F0843643060	2	WASHER 8	
11	58174581	1	OIL LEVEL ROD	
12	59076085	1	OIL PIPE	
13	52071702	1	CLAMPING PLATE	
14	31112082	2	SCREW TE M6X12 UNI 5739 8G	
15	56570284	1	SHAFT	
16	58170291	2	BUSHING	
17	56370288	2	SHIM	
18	59070289	1	LIFTING ARM	
19	59070290	1	RIGHT ARM	
20	F0801331050	2	SEEGER RING	
21	58170245	2	LIFTING CYLINDER	
21.1	58171537	1	GASKET SET	
21.2	58171536	1	BUSHINGS KIT	
22	56370282	4	SHIM	
23	F0801241010	2	SEEGER RING	
24	56370287	2	HINGE PIN	
25	31112150	2	SCREW TE M8X20 UNI 5739 8G	
26	F0843643060	2	WASHER 8	
27	56170283	2	BRACKET	
28	56170286	2	SPACER	
29	56170285	2	SPACER	
30	59078588	1	CONNECTING BOLT	
31	F0851486000	1	SPLIT PIN	

SERIAL

RAISE/LOWER LIFT

CODE REV

L.01.01_0_53253



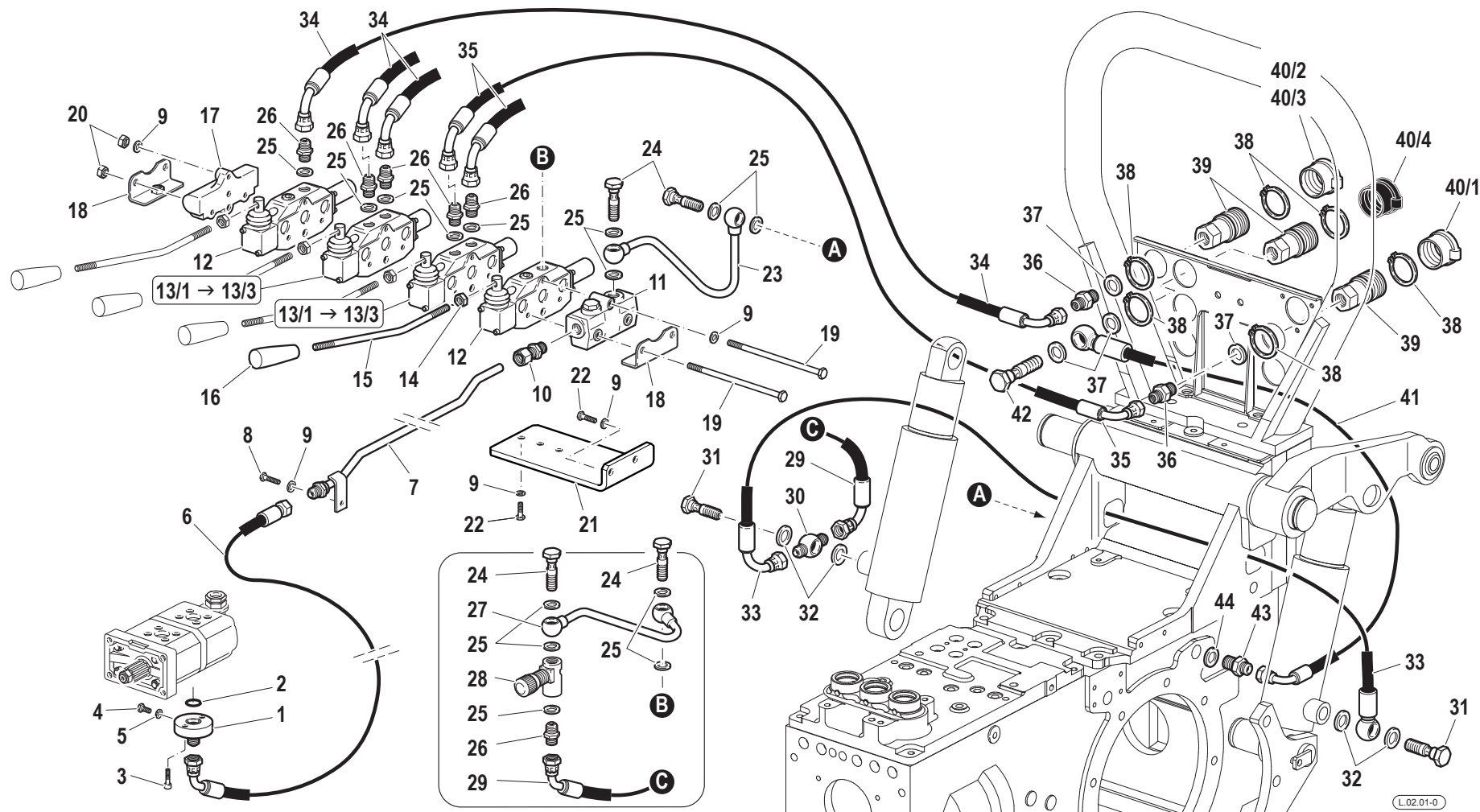
Pos.	Code	Q.ty	Description	Notes
1	F0825809000	1	PRESSURE PIPE CONNECTOR	
2	F0803185000	1	O-RING	
3	31152057	2	SCREW	
4	F0862462010	1	SCREW	
5	F0824022000	1	SPECIAL GASKET D.8,4X12/1	
6	58075247	1	FLEXIBLE HOSE	
7	59074754	1	PRESSURE PIPE	
8	31111151	1	SCREW TE M8X16 UNI 5739 8G	
9	F0843643060	7	WASHER 8	
10	58172015	1	PIPE FITTING	
11	58172304	1	HEAD	
12	58172011	2	S.A. VALVE	
13/1	58172012	2	D.A. VALVE	
13/2	58172013	2	D.A. VALVE	
13/3	58172014	2	D.A. VALVE	
14	31211100	4	NUT M10	
15	56170964	4	COMMAND LEVER	
16	F0837534010	4	GRIP	
17	58172489	1	COVER	
18	59072057	2	FIXING BRACKET	
19	58172018	3	ROD	
20	31211080	6	NUT M8	
21	56174202	1	RETAINER	
22	31112150	4	SCREW TE M8X20 UNI 5739 8G	
23	59074759	1	OIL PIPE	
24	F0843109020	4	PIPE FITTING	
25	F0824110000	14	COPPER WASHER 3/8 GAS	
26	30000197	6	NIPPLE	
27	59075359	1	PRESSURE PIPE	
28	P241171000000	1	VALVE	
29	58075135	1	FLEXIBLE HOSE	
30	58170512	1	EYELET	
31	F0843110010	2	THREADED TERMINAL END M18x1,5	
32	F0824113000	4	COPPER WASHER 18X24/1,5	

SERIAL

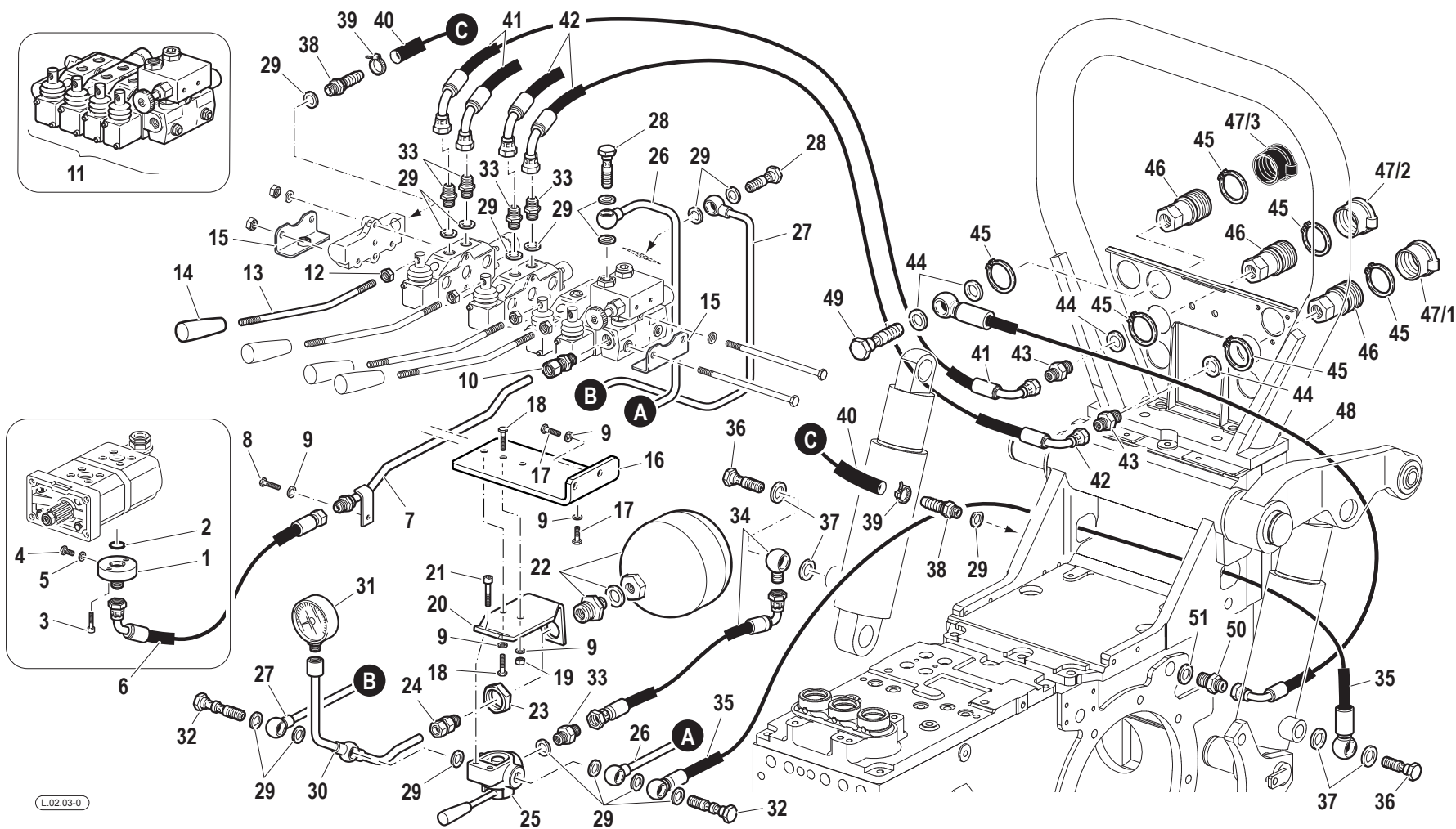
FREE DISCHARGE CONTROL VALVES VERSION

CODE REV

L.02.01_0_53287



Pos.	Code	Q.ty	Description	Notes
33	58070513	1	FLEXIBLE HOSE	
34	58075080	3	FLEXIBLE HOSE	
35	58075087	2	FLEXIBLE HOSE	
36	F0835037000	5	NIPPLE	
37	F0824141000	7	COPPER WASHER 21x27/1,5	
38	F0801282000	12	SEEGER RING E 38 UNI 7435	
39	F0825980030	6	COUPLING	
40/1	F0852550010	2	GUARD	
40/2	F0852550020	2	GUARD	
40/3	F0852550030	1	GUARD	
40/4	F0852550040	1	GUARD	
41	58075082	1	FLEXIBLE HOSE	
42	F0843116000	1	PIPE FITTING 1/2	
43	58175083	1	NIPPLE	
44	F0844273090	1	GASKET 22X28X1,5 CU 99,5	



Pos.	Code	Q.ty	Description	Notes
1	F0825809000	1	PRESSURE PIPE CONNECTOR	
2	F0803185000	1	O-RING	
3	31152057	2	SCREW	
4	F0862462010	1	SCREW	
5	F0824022000	1	SPECIAL GASKET D.8,4X12/1	
6	58075247	1	FLEXIBLE HOSE	
7	59074754	1	PRESSURE PIPE	
8	31111151	1	SCREW TE M8X16 UNI 5739 8G	
9	F0843643060	6	WASHER 8	
10	58172015	1	PIPE FITTING	
11	58174974	1	FLOATING DEVICE GROUP	
12	31211100	4	NUT M10	
13	56170964	4	COMMAND LEVER	
14	F0837534010	4	GRIP	
15	59072057	2	FIXING BRACKET	
16	56174202	1	RETAINER	
17	31112150	3	SCREW TE M8X20 UNI 5739 8G	
18	31112151	2	SCREW TE M8X25 UNI 5739 8G	
19	31211080	1	NUT M8	
20	56175388	1	SUPPORT	
21	31152084	2	SCREW TCEI M8X35 UNI 5931	
22	59900364	1	KIT	
23	56170779	1	NUT	
24	58170251	1	PIPE FITTING	
25	F0110037024	1	SWITCH	
26	59075064	1	PIPE	
27	59075389	1	DISTRIBUTING PIPE	
28	F0843109020	3	PIPE FITTING	
29	F0824110000	18	COPPER WASHER 3/8 GAS	
30	59075390	1	PRESSURE PIPE	
31	58170597	1	MANOMETER	
32	58170693	2	PIPE FITTING	
33	30000197	4	NIPPLE	
34	59900365	1	PIPE SET	

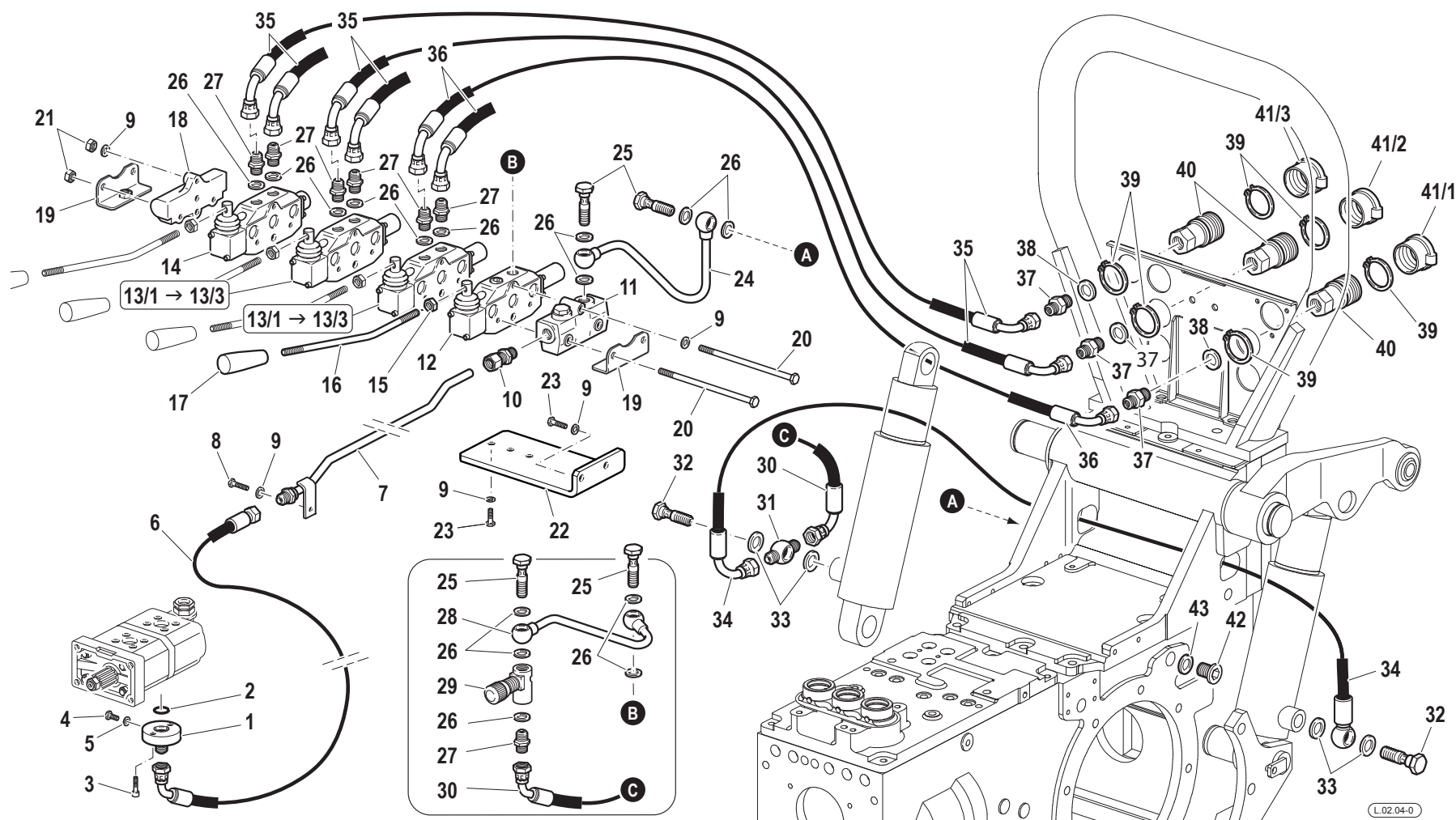
SERIAL

HYDR. SUSPENSION VERSION

CODE REV

L.02.03_0_53393

Pos.	Code	Q.ty	Description	Notes
35	58075074	1	FLEXIBLE HOSE	
36	F0843110010	2	THREADED TERMINAL END M18x1,5	
37	F0824113000	4	COPPER WASHER 18X24/1,5	
38	58172307	2	RUBBER HOLDER	
39	F0817516200	2	CLAMP	
40	58070519	1	OIL PIPE	
41	58075080	2	FLEXIBLE HOSE	
42	58075087	2	FLEXIBLE HOSE	
43	F0835037000	4	NIPPLE	
44	F0824141000	6	COPPER WASHER 21x27/1,5	
45	F0801282000	10	SEEGER RING E 38 UNI 7435	
46	F0825980030	5	COUPLING	
47/1	F0852550020	2	GUARD	
47/2	F0852550030	2	GUARD	
47/3	F0852550040	1	GUARD	
48	58075082	1	FLEXIBLE HOSE	
49	F0843116000	1	PIPE FITTING 1/2	
50	58175083	1	NIPPLE	
51	F0844273090	1	GASKET 22X28X1,5 CU 99,5	



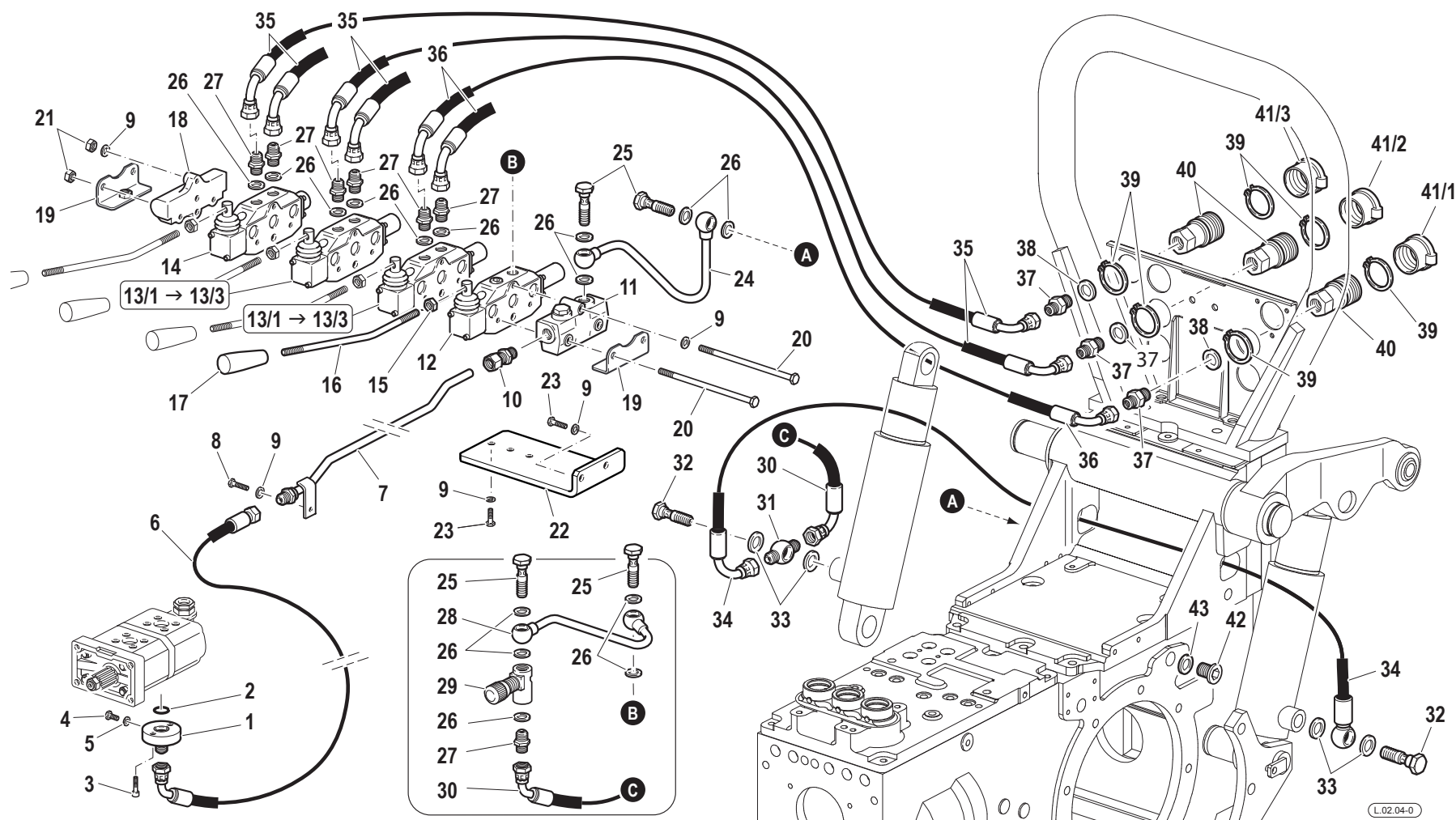
Pos.	Code	Q.ty	Description	Notes
1	F0825809000	1	PRESSURE PIPE CONNECTOR	
2	F0803185000	1	O-RING	
3	31152057	2	SCREW	
4	F0862462010	1	SCREW	
5	F0824022000	1	SPECIAL GASKET D.8,4X12/1	
6	58075247	1	FLEXIBLE HOSE	
7	59074754	1	PRESSURE PIPE	
8	31111151	1	SCREW TE M8X16 UNI 5739 8G	
9	F0843643060	7	WASHER 8	
10	58172015	1	PIPE FITTING	
11	58172304	1	HEAD	
12	58172011	1	S.A. VALVE	
13/1	58172012	2	D.A. VALVE	
13/2	58172013	2	D.A. VALVE	
13/3	58172014	2	D.A. VALVE	
14	58172012	1	D.A. VALVE	
15	31211100	4	NUT M10	
16	56170964	4	COMMAND LEVER	
17	F0837534010	4	GRIP	
18	58172489	1	COVER	
19	59072057	2	FIXING BRACKET	
20	58172018	3	ROD	
21	31211080	6	NUT M8	
22	56174202	1	RETAINER	
23	31112150	4	SCREW TE M8X20 UNI 5739 8G	
24	59074759	1	OIL PIPE	
25	F0843109020	4	PIPE FITTING	
26	F0824110000	15	COPPER WASHER 3/8 GAS	
27	30000197	7	NIPPLE	
28	59075359	1	PRESSURE PIPE	
29	P241171000000	1	VALVE	
30	58075135	1	FLEXIBLE HOSE	
31	58170512	1	EYELET	
32	F0843110010	2	THREADED TERMINAL END M18x1,5	

SERIAL

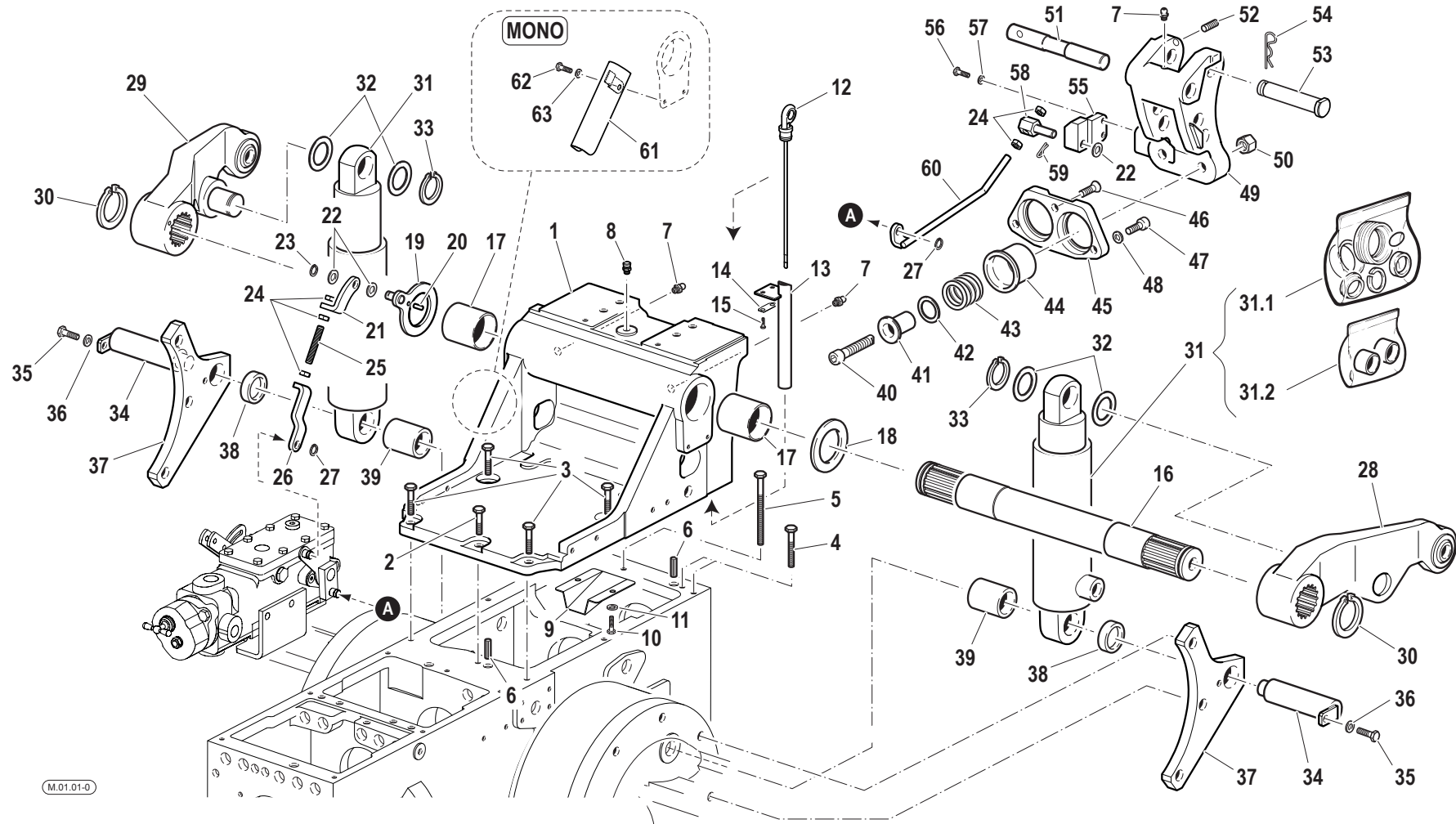
CONTROL VALVES WITHOUT FREE DISCHARGE VERSION

CODE REV

L.02.04_0_53447



Pos.	Code	Q.ty	Description	Notes
33	F0824113000	4	COPPER WASHER 18X24/1,5	
34	58070513	1	FLEXIBLE HOSE	
35	58075080	4	FLEXIBLE HOSE	
36	58075087	2	FLEXIBLE HOSE	
37	F0835037000	6	NIPPLE	
38	F0824141000	6	COPPER WASHER 21x27/1,5	
39	F0801282000	12	SEEGER RING E 38 UNI 7435	
40	F0825980030	6	COUPLING	
41/1	F0852550010	2	GUARD	
41/2	F0852550020	2	GUARD	
41/3	F0852550030	2	GUARD	
42	56370081	1	PLUG	
43	F0844273090	1	GASKET 22X28X1,5 CU 99,5	



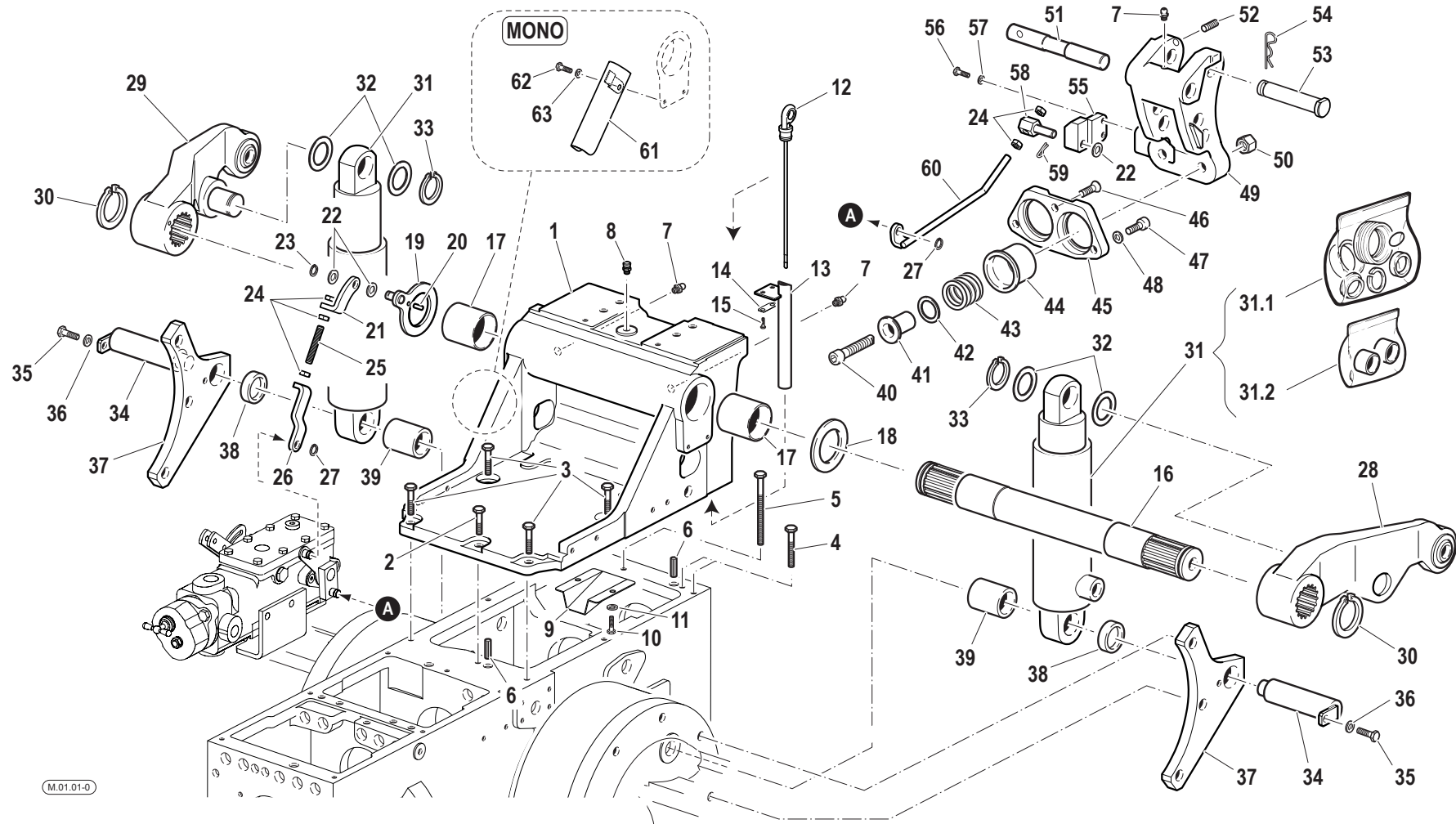
Pos.	Code	Q.ty	Description	Notes
1	51174047	1	SUPPORT	
2	31112219	1	SCREW TE M10X25 UNI 5739	
3	31112211	4	SCREW TE M10X30 UNI 5739	
4	F0863429000	4	SCREW M10X45 UNI 5737	
5	31112217	1	SCREW TE M10X80 UNI 5737	
6	56570016	2	CYLINDRICAL PLUG	
7	F0826056000	3	LUBRICATOR M10 UNI 7663A	
8	58075603	1	PLUG	
9	56173638	1	GUARD	
10	31112149	2	SCREW TE M8X12 UNI 5739 8G	
11	F0843643060	2	WASHER 8	
12	58174581	1	OIL LEVEL ROD	
13	59076085	1	OIL PIPE	
14	52071702	1	CLAMPING PLATE	
15	31112082	2	SCREW TE M6X12 UNI 5739 8G	
16	56570284	1	SHAFT	
17	58170291	2	BUSHING	
18	56370288	1	SHIM	
19	59075148	1	SHIM	
20	56570506	1	PIN	
21	56375147	1	BRACKET	
22	31411104	3	WASHER 10,5x18	
23	F0801050000	1	SEEGER RING	
24	F0814569000	5	NUT	
25	56375146	1	GRAIN	
26	56075145	1	BRACKET	
27	35211070	2	SEEGER RING	
28	59070289	1	LIFTING ARM	
29	59070290	1	RIGHT ARM	
30	F0801331050	2	SEEGER RING	
31	58170245	2	LIFTING CYLINDER	
31.1	58171537	1	GASKET SET	
31.2	58171536	1	BUSHINGS KIT	
32	56370282	4	SHIM	

SERIAL

POSITION AND DRAFT CONTROL LIFT

CODE REV

M.01.01_0_53549



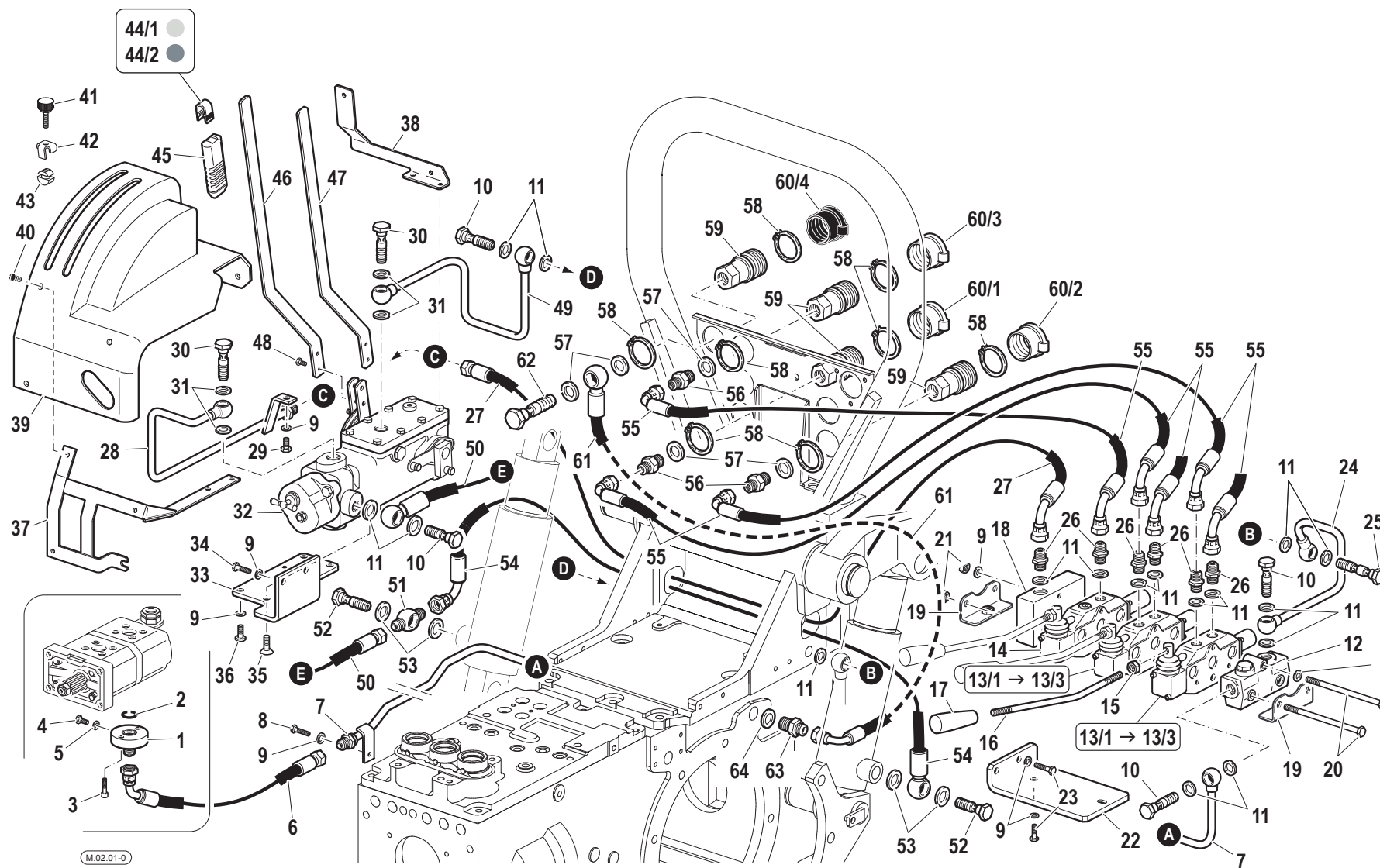
Pos.	Code	Q.ty	Description	Notes
33	F0801241010	2	SEEGER RING	
34	56370287	2	HINGE PIN	
35	31112150	2	SCREW TE M8X20 UNI 5739 8G	
36	F0843643060	2	WASHER 8	
37	56170283	2	BRACKET	
38	56170286	2	SPACER	
39	56170285	2	SPACER	
40	50973415	2	SCREW	
41	56073414	2	GUIDE	
42	56373426	1	SHIM	
42	56373427	1	SHIM	
42	56373428	1	SHIM	
42	58025869	1	SHIM	
43	58073411	2	SPRING	
44	56073413	2	SLEEVE	
45	56073416	1	FLANGE	
46	F0863208050	1	SCREW M10X20 UNI 5933	
47	31152097	2	SCREW TCEI M10X30 UNI 5931	
48	F0843755000	2	WASHER 10	
49	51173371	1	THREE-POINT LINKAGE	
50	31241121	2	SELFLOCK NUT M12	
51	56374574	1	CONNECTING BOLT	
52	F0862593050	1	SCREW M8X20 UNI 5927	
53	56373436	1	PIN	
54	F0851486000	1	SPLIT PIN	
55	59075140	1	SMALL BLOCK	
56	31112093	2	SCREW TE M6X20	
57	F0843570000	2	WASHER 6	
58	56075143	1	HINGE PIN	
59	34110030	1	SPLIT PIN	
60	59075137	1	ROD	
61	59075178	1	CABLE BARRIER RAIL	
62	31111091	1	SCREW E M6X14 UNI 5739 8G	
63	F0843570000	1	WASHER 6	

SERIAL

POSITION AND DRAFT CONTROL LIFT

CODE REV

M.01.01_0_53549



Pos.	Code	Q.ty	Description	Notes
1	F0825809000	1	PRESSURE PIPE CONNECTOR	
2	F0803185000	1	O-RING	
3	31152057	2	SCREW	
4	F0862462010	1	SCREW	
5	F0824022000	1	SPECIAL GASKET D.8,4X12/1	
6	58075247	1	FLEXIBLE HOSE	
7	59075216	1	PRESSURE PIPE	
8	31111151	1	SCREW TE M8X16 UNI 5739 8G	
9	F0843643060	13	WASHER 8	
10	F0843109020	4	PIPE FITTING	
11	F0824110000	17	COPPER WASHER 3/8 GAS	
12	58172304	1	HEAD	
13/1	58172012	2	D.A. VALVE	
13/2	58172013	2	D.A. VALVE	
13/3	58172014	2	D.A. VALVE	
14	58172011	1	S.A. VALVE	
15	31211100	3	NUT M10	
16	56170964	3	COMMAND LEVER	
17	F0837534010	3	GRIP	
18	58173361	1	COVER	
19	59072057	2	FIXING BRACKET	
20	58172017	3	ROD	
21	31211080	3	NUT M8	
22	56175227	1	LEFT BRACKET	
23	31112150	4	SCREW TE M8X20 UNI 5739 8G	
24	59075217	1	EXHAUST	
25	F0843110010	3	THREADED TERMINAL END M18x1,5	
26	30000197	6	NIPPLE	
27	58075159	1	FLEXIBLE HOSE	
28	59075979	1	PRESSURE PIPE	
29	31112149	1	SCREW TE M8X12 UNI 5739 8G	
30	F0843116000	2	PIPE FITTING 1/2	
31	F0824141000	4	COPPER WASHER 21x27/1,5	
32	58175191	1	DISTRIBUTOR	

SERIAL

FREE DISCHARGE CONTROL VALVES VERSION

CODE REV

M.02.01_0_53618

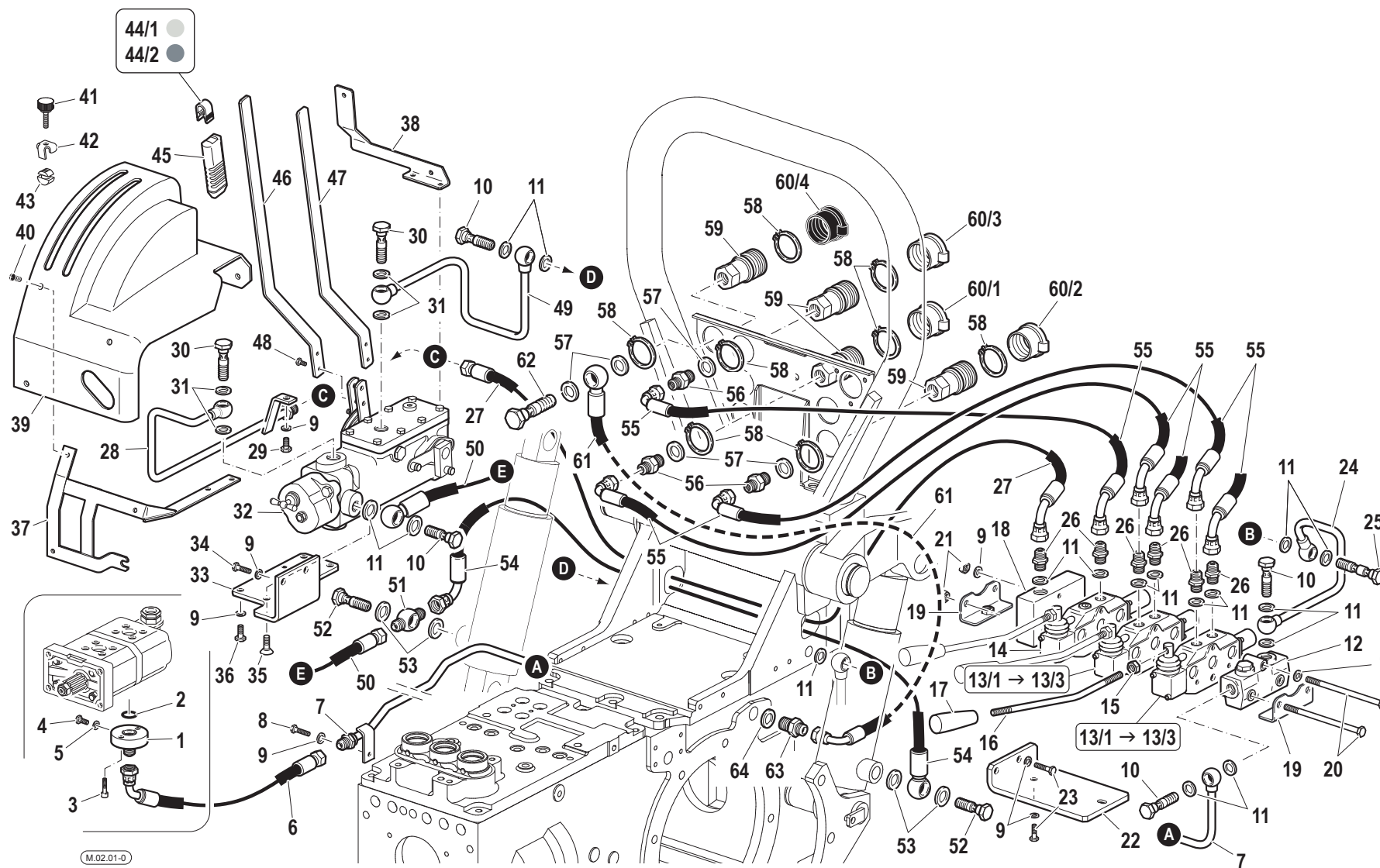
Pos.	Code	Q.ty	Description	Notes
33	56075161	1	FIXING BRACKET	
34	31112150	2	SCREW TE M8X20 UNI 5739 8G	
35	F0862481000	1	SCREW M8x16 UNI 5933	
36	31111151	3	SCREW TE M8X16 UNI 5739 8G	
37	59075253	1	FIXING BRACKET	
38	56075251	1	FIXING BRACKET	
39	57375192	1	COVER	
40	F0861973000	5	SCREW M6X10 COMBI	
41	58177761	1	KNOB	
42	56075197	1	CLIP	
43	56077760	1	SMALL BLOCK	
44/1	58175211	1	INSERT	
44/2	58175188	1	INSERT	
45	58175187	2	KNOB	
46	56075183	1	COMMAND LEVER	
47	56075184	1	COMMAND LEVER	
48	31112090	4	SCREW TE M6X16 UNI 5739 8G	
49	59075171	1	EXHAUST	
50	58075160	1	FLEXIBLE HOSE	
51	58170512	1	EYELET	
52	F0843110010	2	THREADED TERMINAL END M18x1,5	
53	F0824113000	4	COPPER WASHER 18X24/1,5	
54	58070513	1	FLEXIBLE HOSE	
55	58074958	5	FLEXIBLE HOSE	
56	F0835037000	5	NIPPLE	
57	F0824141000	7	COPPER WASHER 21x27/1,5	
58	F0801282000	12	SEEGER RING E 38 UNI 7435	
59	F0825980030	6	COUPLING	
60/1	F0852550010	2	GUARD	
60/2	F0852550020	2	GUARD	
60/3	F0852550030	1	GUARD	
60/4	F0852550040	1	GUARD	
61	58075082	1	FLEXIBLE HOSE	
62	F0843116000	1	PIPE FITTING 1/2	

SERIAL

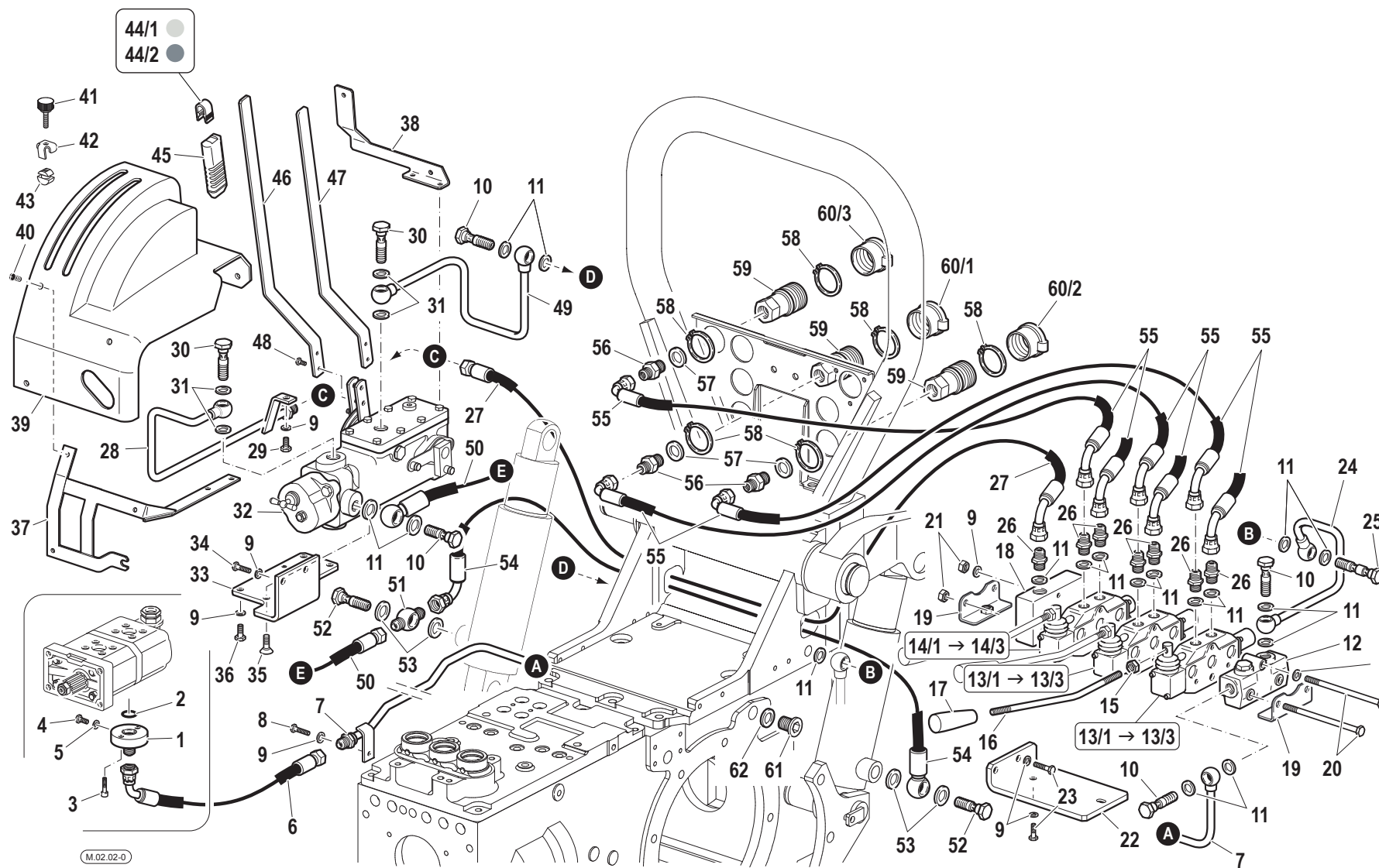
FREE DISCHARGE CONTROL VALVES VERSION

CODE REV

M.02.01_0_53618



Pos.	Code	Q.ty	Description	Notes
63	58175083	1	NIPPLE	
64	F0844273090	1	GASKET 22X28X1,5 CU 99,5	



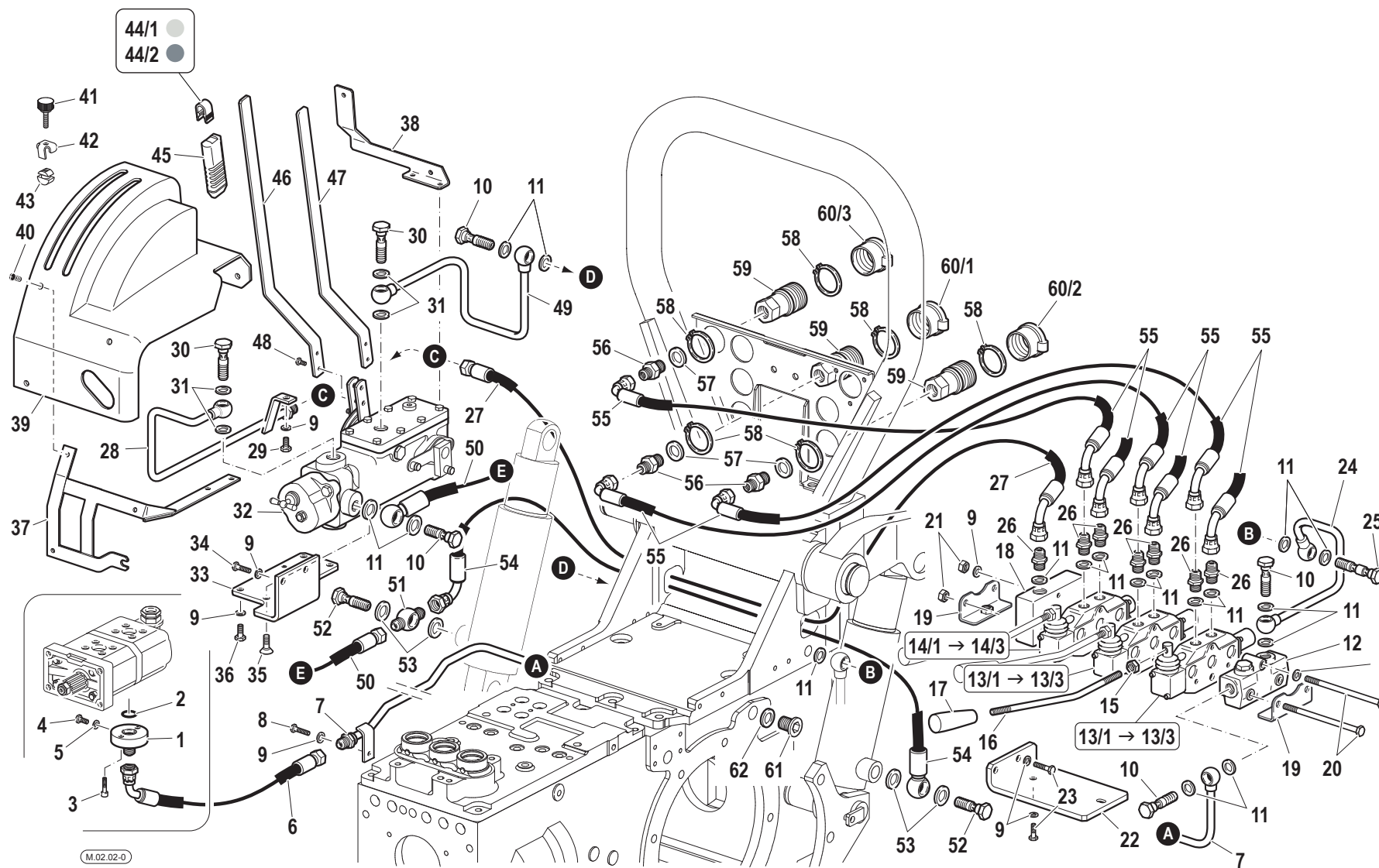
Pos.	Code	Q.ty	Description	Notes
1	F0825809000	1	PRESSURE PIPE CONNECTOR	
2	F0803185000	1	O-RING	
3	31152057	2	SCREW	
4	F0862462010	1	SCREW	
5	F0824022000	1	SPECIAL GASKET D.8,4X12/1	
6	58075247	1	FLEXIBLE HOSE	
7	59075216	1	PRESSURE PIPE	
8	31111151	1	SCREW TE M8X16 UNI 5739 8G	
9	F0843643060	13	WASHER 8	
10	F0843109020	4	PIPE FITTING	
11	F0824110000	18	COPPER WASHER 3/8 GAS	
12	58172304	1	HEAD	
13/1	58172012	2	D.A. VALVE	
13/2	58172013	2	D.A. VALVE	
13/3	58172014	2	D.A. VALVE	
14/1	58172012	1	D.A. VALVE	
14/2	58172013	1	D.A. VALVE	
14/3	58172014	1	D.A. VALVE	
15	31211100	3	NUT M10	
16	56170964	3	COMMAND LEVER	
17	F0837534010	3	GRIP	
18	58173361	1	COVER	
19	59072057	2	FIXING BRACKET	
20	58172017	3	ROD	
21	31211080	3	NUT M8	
22	56175227	1	LEFT BRACKET	
23	31112150	4	SCREW TE M8X20 UNI 5739 8G	
24	59075217	1	EXHAUST	
25	F0843110010	1	THREADED TERMINAL END M18x1,5	
26	30000197	7	NIPPLE	
27	58075159	1	FLEXIBLE HOSE	
28	59075979	1	PRESSURE PIPE	
29	31112149	1	SCREW TE M8X12 UNI 5739 8G	
30	F0843116000	2	PIPE FITTING 1/2	

SERIAL

CONTROL VALVES WITHOUT FREE DISCHARGE VERSION

CODE REV

M.02.02_0_53689



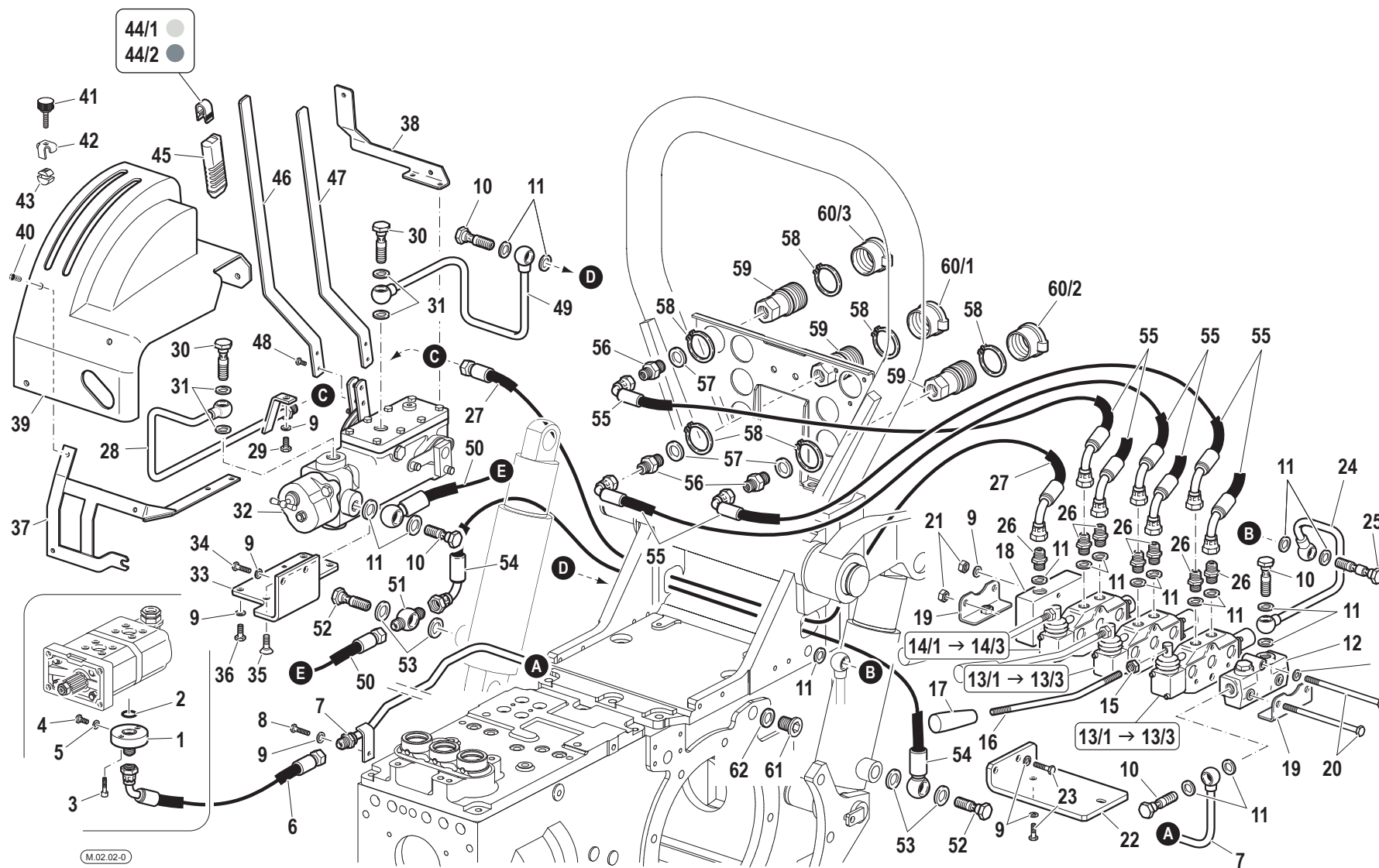
Pos.	Code	Q.ty	Description	Notes
31	F0824141000	4	COPPER WASHER 21x27/1,5	
32	58175191	1	DISTRIBUTOR	
33	56075161	1	FIXING BRACKET	
34	31112150	2	SCREW TE M8X20 UNI 5739 8G	
35	F0862481000	1	SCREW M8x16 UNI 5933	
36	31111151	3	SCREW TE M8X16 UNI 5739 8G	
37	59075253	1	FIXING BRACKET	
38	56075251	1	FIXING BRACKET	
39	57375192	1	COVER	
40	F0861973000	5	SCREW M6X10 COMBI	
41	58177761	1	KNOB	
42	56075197	1	CLIP	
43	56077760	1	SMALL BLOCK	
44/1	58175211	1	INSERT	
44/2	58175188	1	INSERT	
45	58175187	2	KNOB	
46	56075183	1	COMMAND LEVER	
47	56075184	1	COMMAND LEVER	
48	31112090	4	SCREW TE M6X16 UNI 5739 8G	
49	59075171	1	EXHAUST	
50	58075160	1	FLEXIBLE HOSE	
51	58170512	1	EYELET	
52	F0843110010	2	THREADED TERMINAL END M18x1,5	
53	F0824113000	4	COPPER WASHER 18X24/1,5	
54	58070513	1	FLEXIBLE HOSE	
55	58074958	6	FLEXIBLE HOSE	
56	F0835037000	6	NIPPLE	
57	F0824141000	6	COPPER WASHER 21x27/1,5	
58	F0801282000	12	SEEGER RING E 38 UNI 7435	
59	F0825980030	6	COUPLING	
60/1	F0852550010	2	GUARD	
60/2	F0852550020	2	GUARD	
60/3	F0852550030	1	GUARD	
61	56370081	1	PLUG	

SERIAL

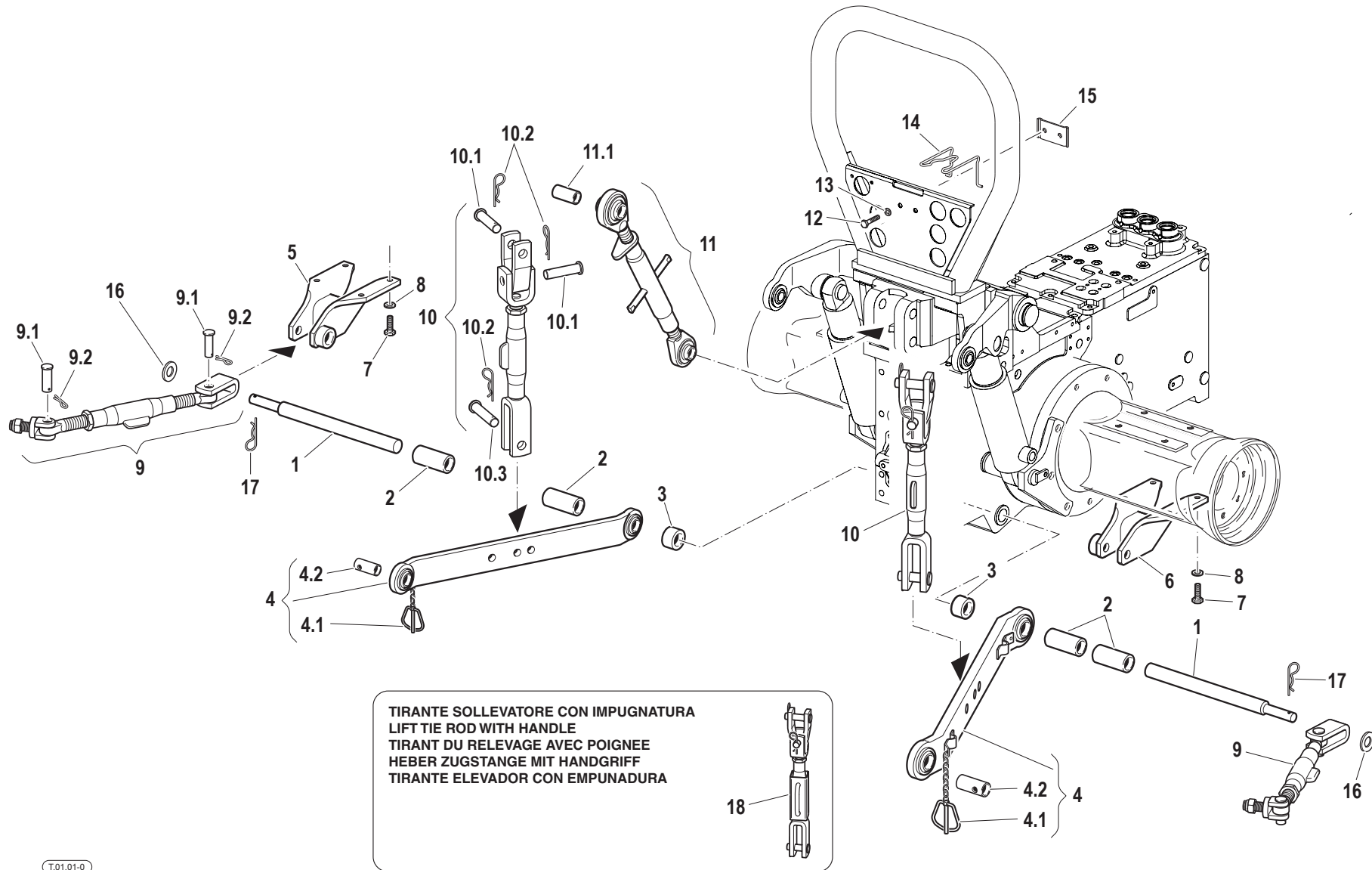
CONTROL VALVES WITHOUT FREE DISCHARGE VERSION

CODE REV

M.02.02_0_53689



Pos.	Code	Q.ty	Description	Notes
62	F0844273090	1	GASKET 22X28X1,5 CU 99,5	



Pos.	Code	Q.ty	Description	Notes
1	56577771	2	PIN	
2	56077773	4	SPACER	
3	56170392	2	SPACER	
4	58071322	2	BOTTOM LINK	
4.1	F0852107050	1	PISTON PIN	
4.2	58171021	1	REDUCING BUSH	
5	59075789	1	SUPPORT	
6	59075790	1	SUPPORT	
7	31112211	8	SCREW TE M10X30 UNI 5739	
8	F0843755000	8	WASHER 10	
9	58076354	2	ROD	
9.1	58070480	2	PIN	
9.2	34110029	2	SPLIT PIN	
10	58077205	2	ROD	
10.1	58071755	2	PIN	
10.2	F0851486000	3	SPLIT PIN	
10.3	58070482	1	PIN	
11	58075983	1	3-POINT HITCH	
11.1	56073059	1	REDUCING BUSH	
12	31112150	2	SCREW TE M8X20 UNI 5739 8G	
12	59078588	1	CONNECTING BOLT	
13	F0843643060	2	WASHER 8	
14	58170449	1	RETAINING SPRING	
15	59070448	1	FIXING BRACKET	
16	31411170	2	WASHER 17x30	
17	34130010	2	SPLIT PIN	
18	58077202	2	ROD	

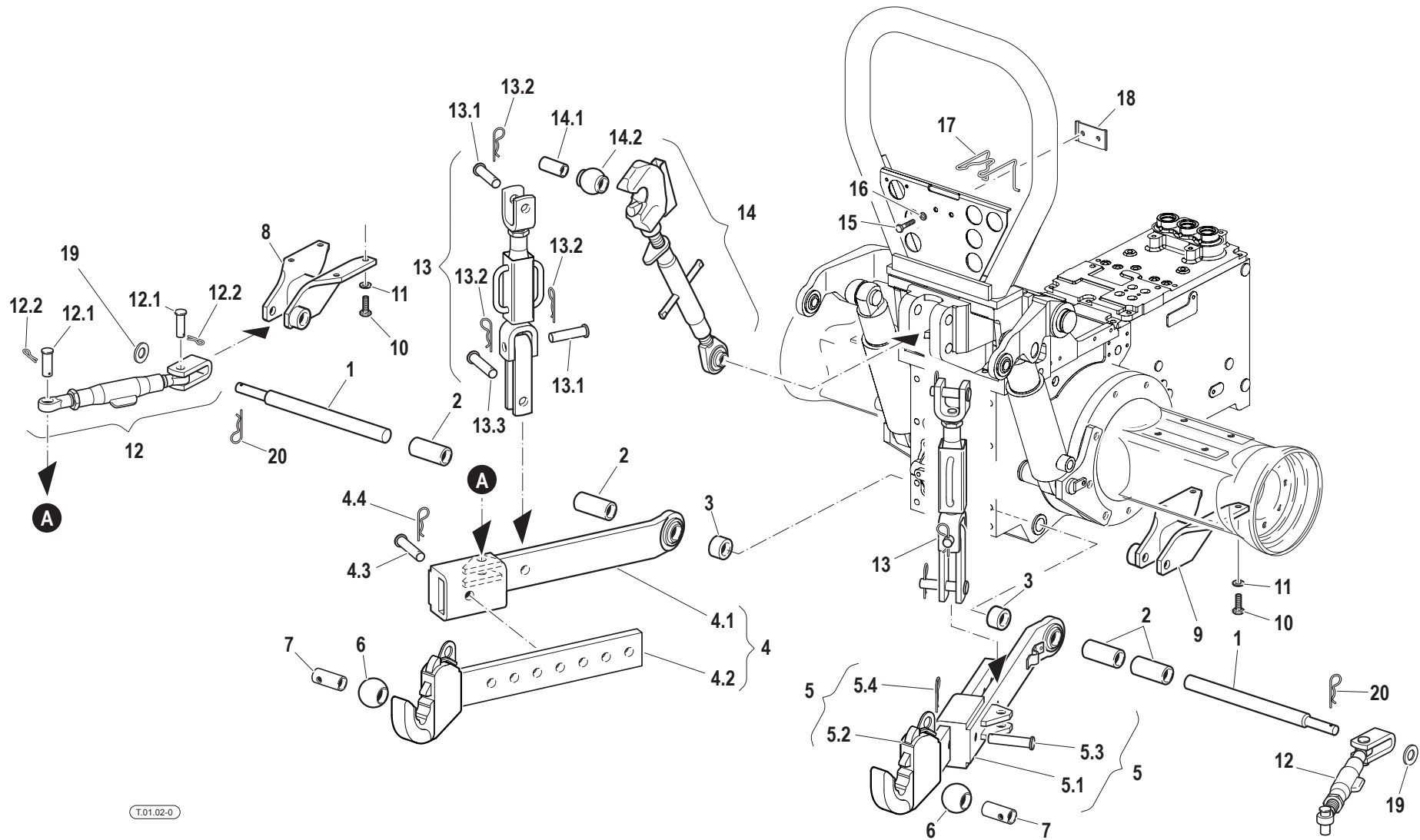
Pos.	Code	Q.ty	Description	Notes
1	56577771	2	PIN	
2	56077773	4	SPACER	
3	56170392	2	SPACER	
4	58076084	1	LEFT ARM	
4.1	58071864	1	TIP	
4.2	58076082	1	TIP	
4.3	56371101	1	PIN	
4.4	F0851486000	1	SPLIT PIN	
5	58076083	1	RIGHT ARM	
5.1	58071864	1	TIP	
5.2	58076081	1	TIP	
5.3	56371101	1	PIN	
5.4	F0851486000	1	SPLIT PIN	
6	58171000	2	JOINT	
7	58171021	2	REDUCING BUSH	
8	59075789	1	SUPPORT	
9	59075790	1	SUPPORT	
10	31112211	8	SCREW TE M10X30 UNI 5739	
11	F0843755000	8	WASHER 10	
12	58076356	2	ROD	
12.1	58070480	2	PIN	
12.2	34110029	2	SPLIT PIN	
13	58077198	2	ROD	
13.1	58071755	2	PIN	
13.2	F0851486000	2	SPLIT PIN	
13.3	56371101	1	PIN	
14	58075987	1	3-POINT HITCH	
14.1	56073059	1	REDUCING BUSH	
14.2	58173072	1	JOINT	
15	31112150	2	SCREW TE M8X20 UNI 5739 8G	
16	F0843643060	2	WASHER 8	
17	58170449	1	RETAINING SPRING	
18	59070448	1	FIXING BRACKET	
19	31411170	2	WASHER 17x30	

SERIAL

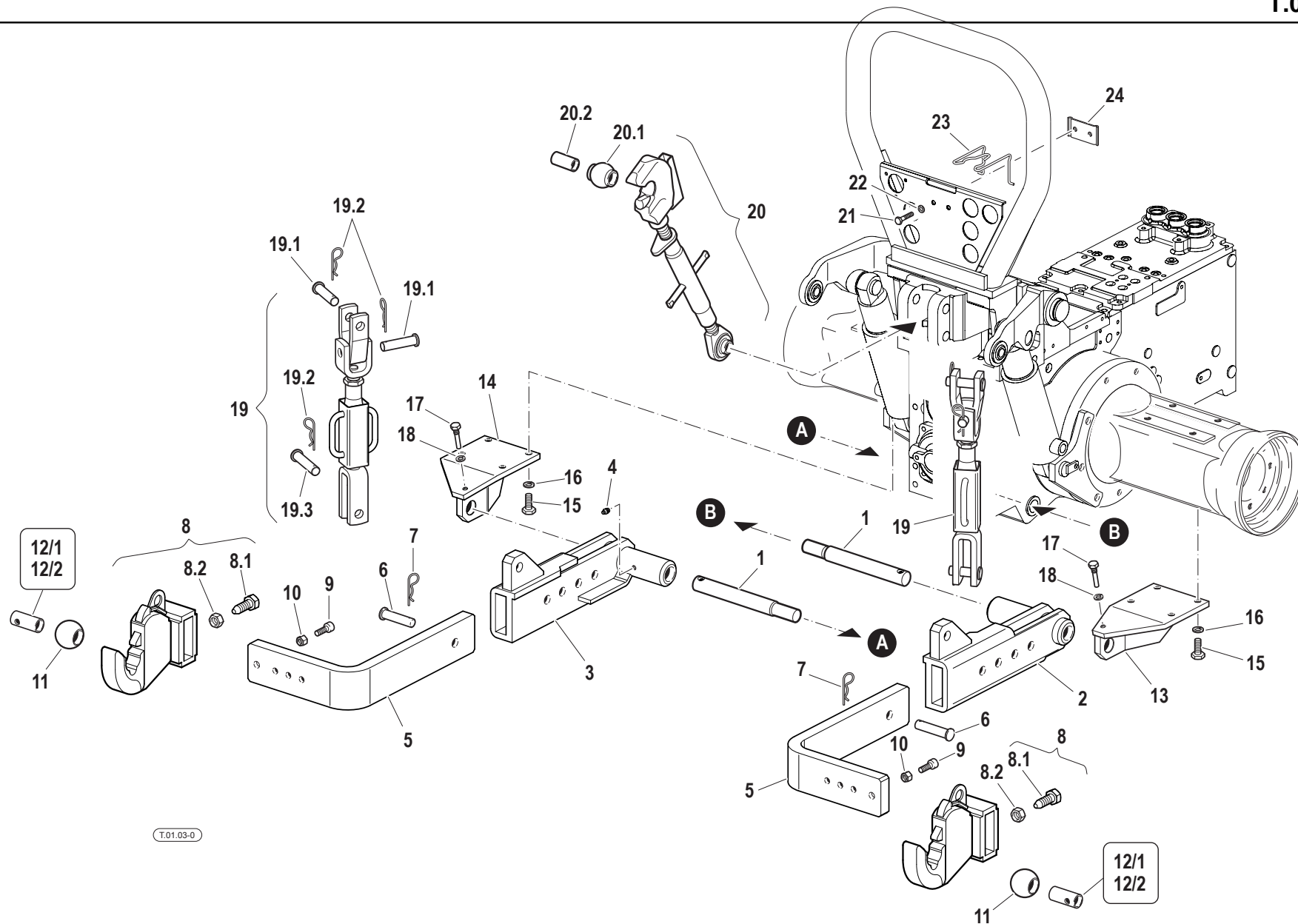
IMPLEMENTS ATTACHMENT - ADJUSTABLE ARMS WITH QUICK HITCHES

CODE REV

T.01.02_0_53928



Pos.	Code	Q.ty	Description	Notes
20	34130010	2	SPLIT PIN	



T.01.03-0

12/1
12/2

Pos.	Code	Q.ty	Description	Notes
1	56575035	2	PIN	
2	59079186	1	HOLDER	
3	59079187	1	HOLDER	
4	F0826056000	2	LUBRICATOR M10 UNI 7663A	
5	56175848	2	ARM	
6	56375954	4	PIN	
7	F0851486000	4	SPLIT PIN	
8	59076100	2	DEVICE COUPLING	
8.1	56275953	1	SCREW	
8.2	31211200	1	NUT M20	
9	F0863302000	2	SCREW M10X30 UNI 5931	
10	31211100	2	NUT M10	
11	58171000	2	JOINT	
12/1	58171021	2	REDUCING BUSH	
12/2	58177978	2	BUSHING	
13	59077383	1	SUPPORT	
14	59077382	1	SUPPORT	
15	31112211	8	SCREW TE M10X30 UNI 5739	
16	F0843755000	8	WASHER 10	
17	56075036	2	SCREW	
18	F0843755000	2	WASHER 10	
19	58077325	2	ROD	
19.1	58071755	2	PIN	
19.2	F0851486000	4	SPLIT PIN	
19.3	58070482	2	PIN	
20	58075987	1	3-POINT HITCH	
20.1	58173072	1	JOINT	
20.2	56073059	1	REDUCING BUSH	
21	31112150	2	SCREW TE M8X20 UNI 5739 8G	
22	F0843643060	2	WASHER 8	
23	58170449	1	RETAINING SPRING	
24	59070448	1	FIXING BRACKET	

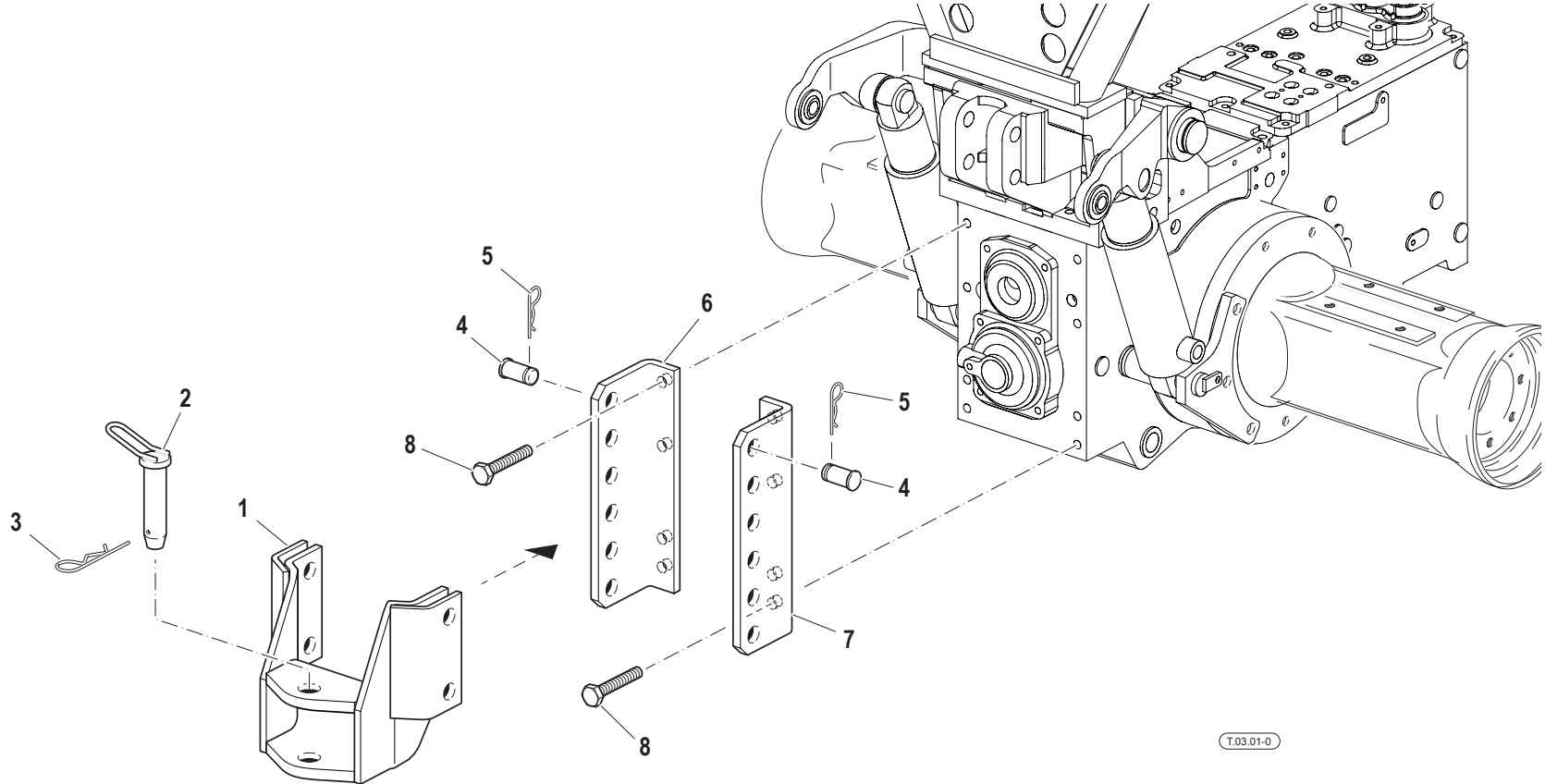
SERIAL

IMPLEMENTS ATTACHMENT - ADJUSTABLE ARMS WITH QUICK HITCHES

CODE REV

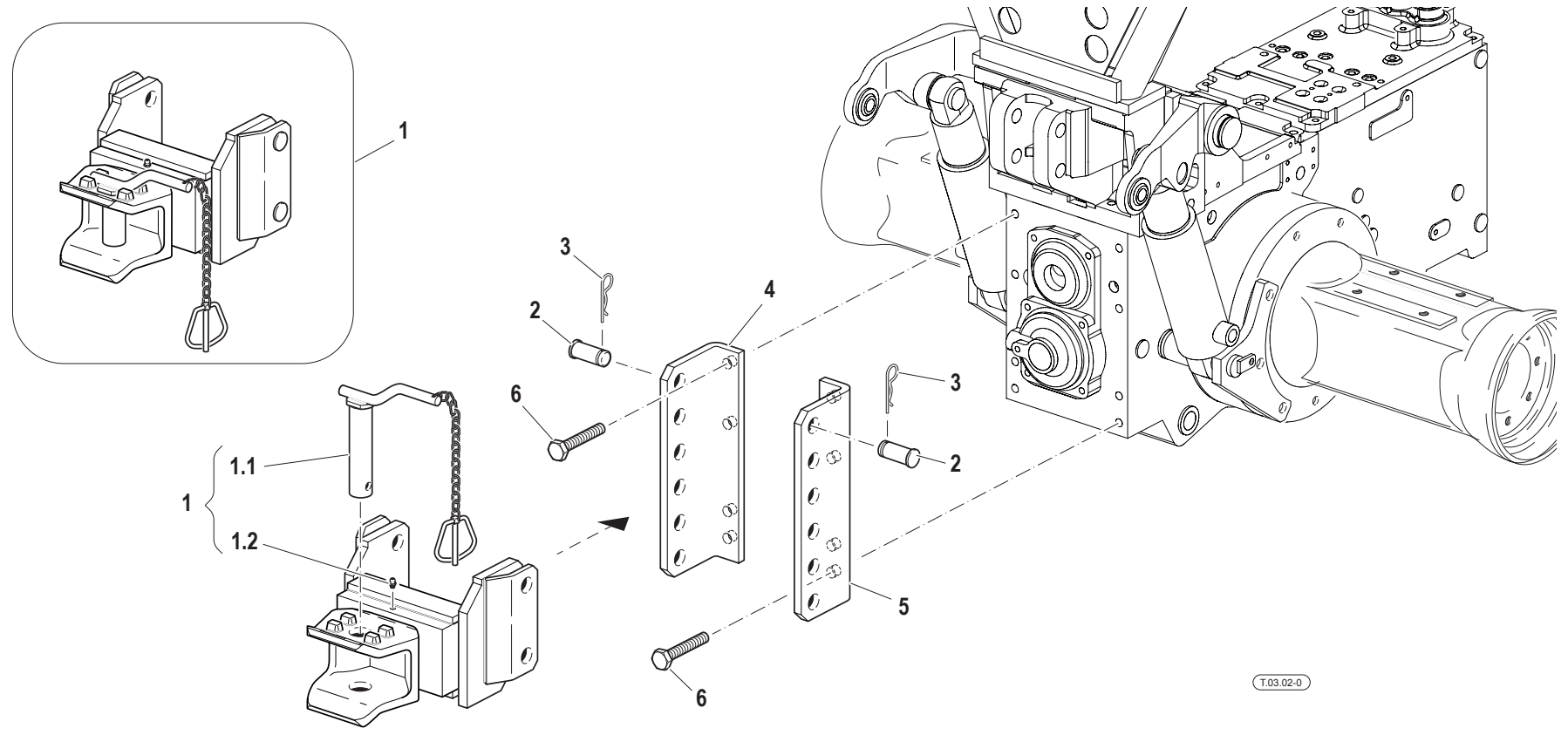
T.01.03_0_53964

PULL HOOK - STANDARD

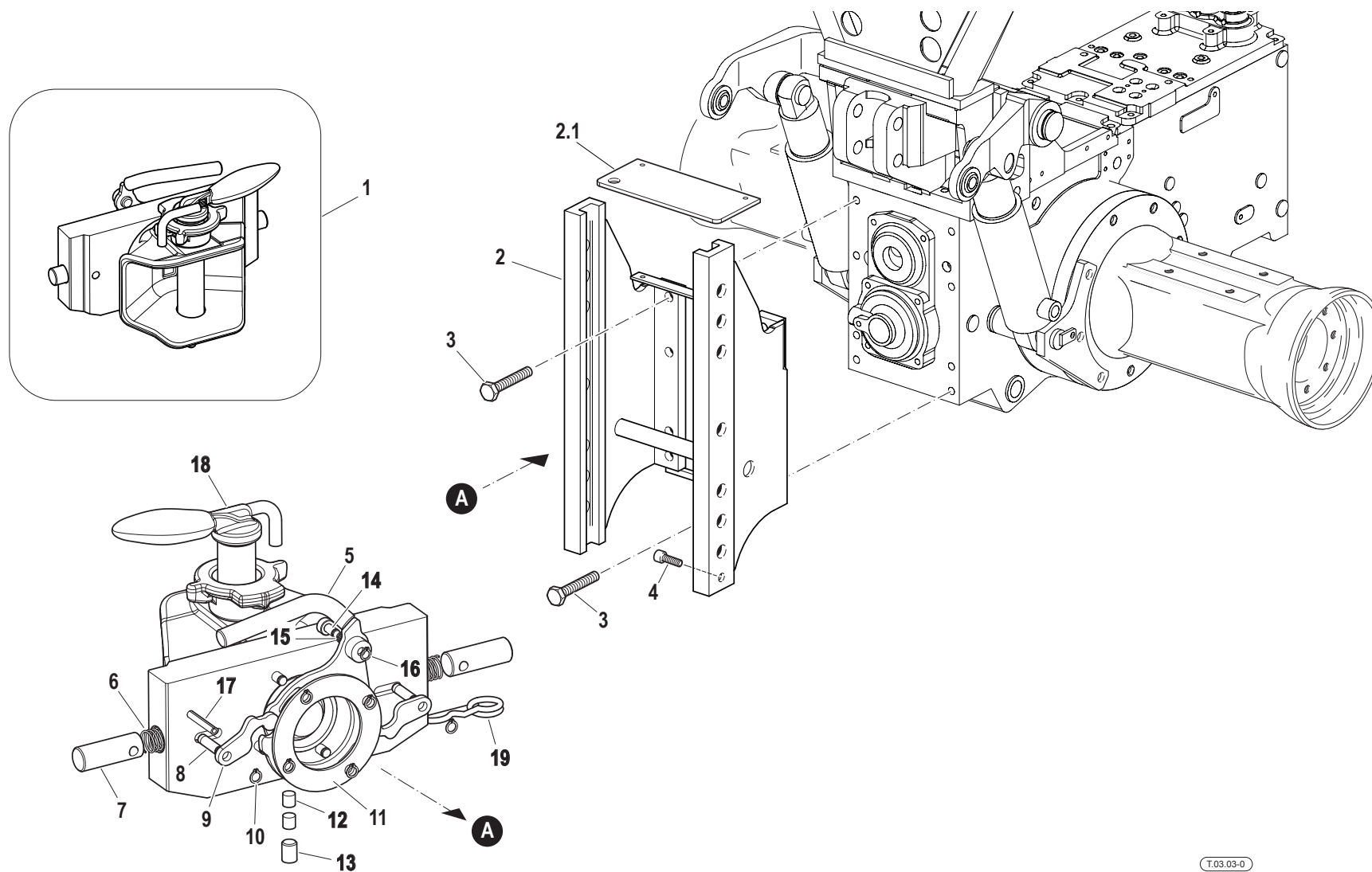


T.03.01-0

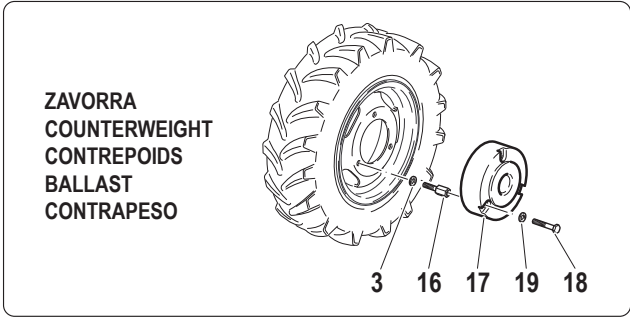
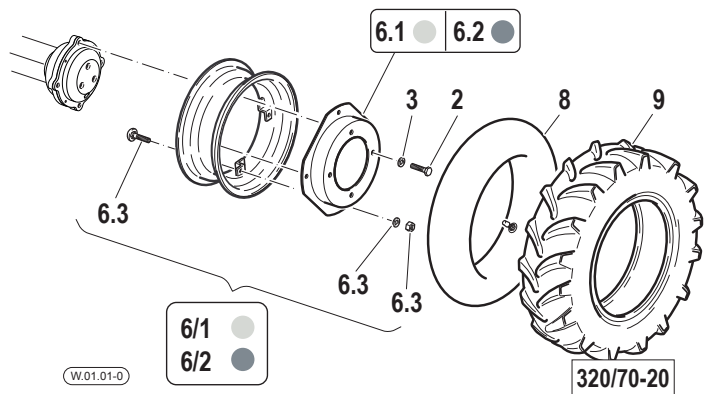
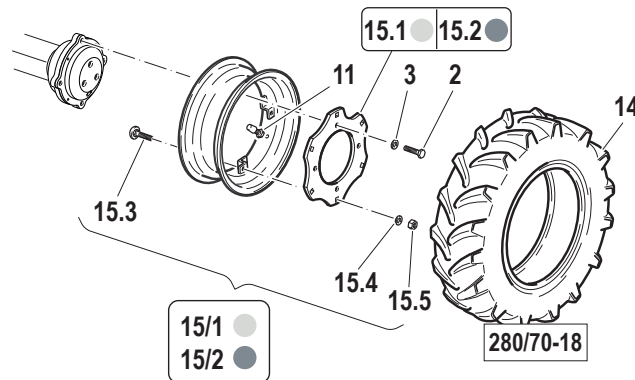
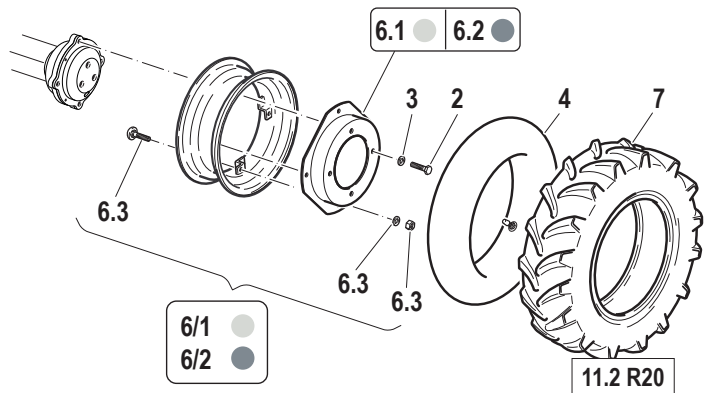
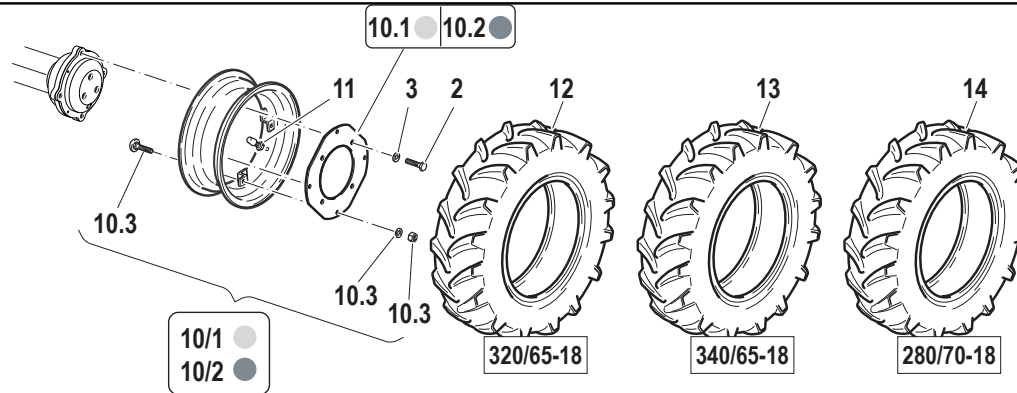
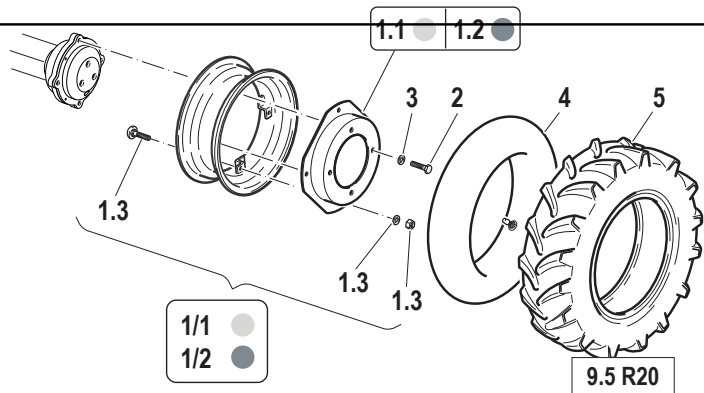
Pos.	Code	Q.ty	Description	Notes
1	59070702	1	TOW HOOK	
2	F0808060100	1	LATCH D.28X117	
3	F0851497000	1	SPLIT PIN	
4	56370696	4	PIN	
5	F0851486000	4	SPLIT PIN	
6	56170704	1	SUPPORT	
7	56170705	1	SUPPORT	
8	F0864180000	8	SCREW M14X30 UNI 5740	



Pos.	Code	Q.ty	Description	Notes
1	59375009	1	TOW HOOK	
1.1	59075012	1	PIN	
1.2	F0826056000	1	LUBRICATOR M10 UNI 7663A	
2	56375008	4	PIN	
3	F0851486000	4	SPLIT PIN	
4	56170704	1	SUPPORT	
5	56170705	1	SUPPORT	
6	F0864180000	8	SCREW M14X30 UNI 5740	



Pos.	Code	Q.ty	Description	Notes
1	59377734	1	CLEVIS	
2	59377730	1	CHASSIS FRAME	
2.1	58177732	1	GUARD	
3	F0864222010	8	SCREW M14X1,5/40 5738	
4	31152103	2	SCREW TCEI M10X25 UNI 5931	
5	58177736	1	LEVA SBLO.COMP.(81.0121.01.03)	
6	58177737	2	SPRING	
7	58177738	2	PIN	
8	58177739	6	PIN	
9	58177740	2	CONNECTING ROD	
10	F0801028000	6	RING	
11	58177741	1	DISC	
12	58177742	2	PAD	
13	F0863672010	1	SCREW	
14	58177743	1	PIN	
15	58177744	1	SPRING	
16	F0801022000	1	SEEGER RING	
17	34211064	1	ROLL PIN	
18	58177745	1	PIN	
19	58177746	1	SPLIT PIN	



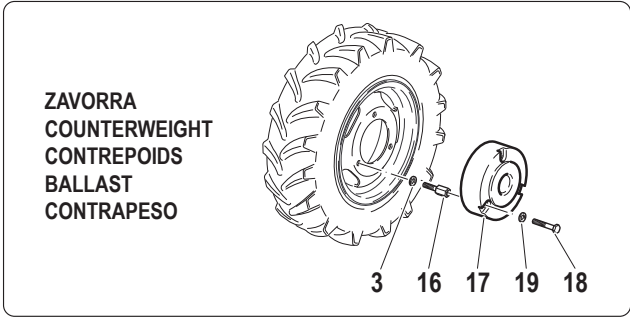
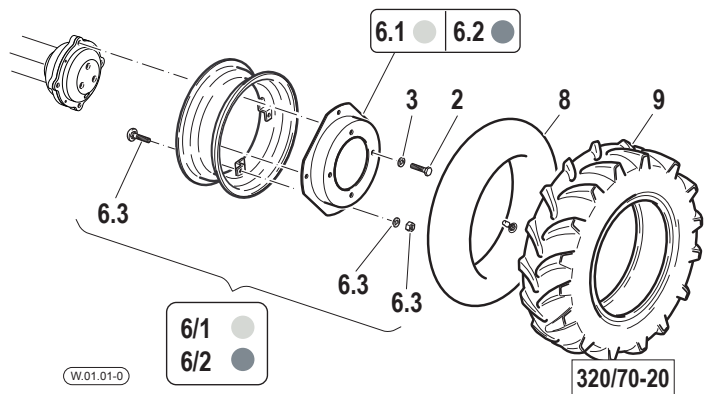
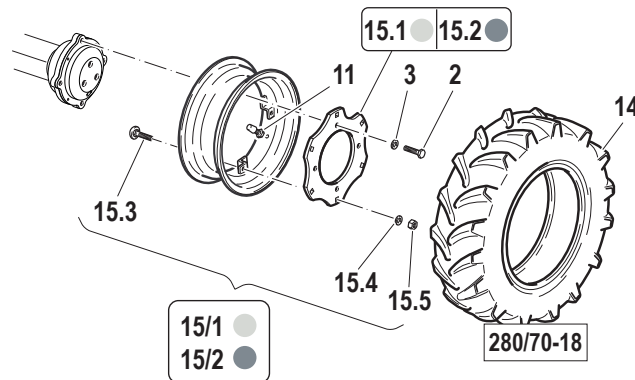
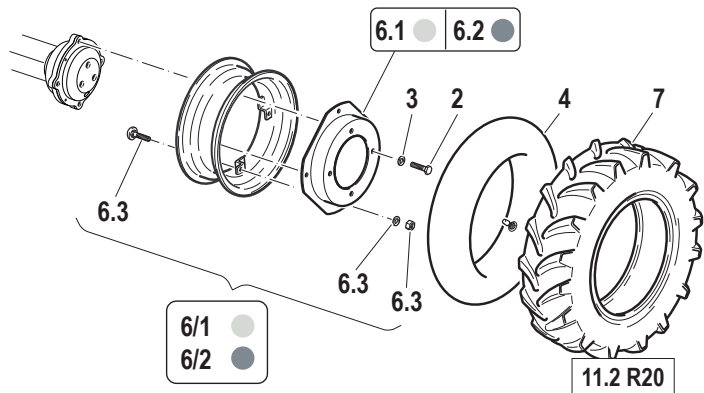
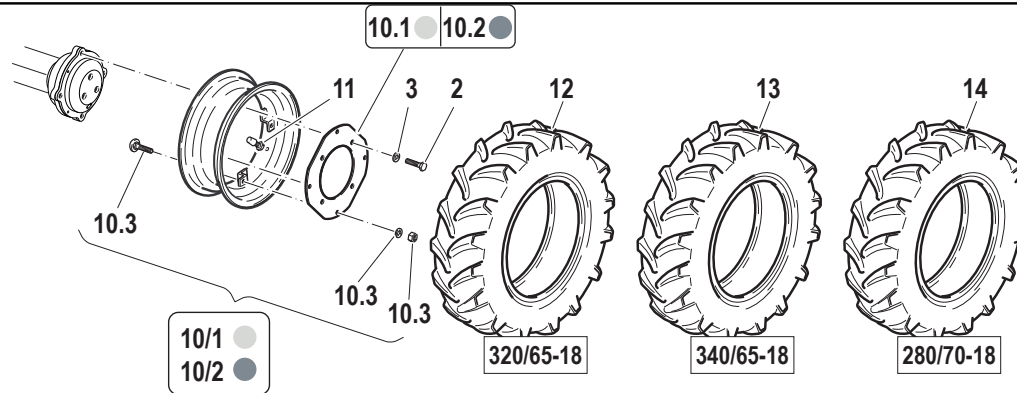
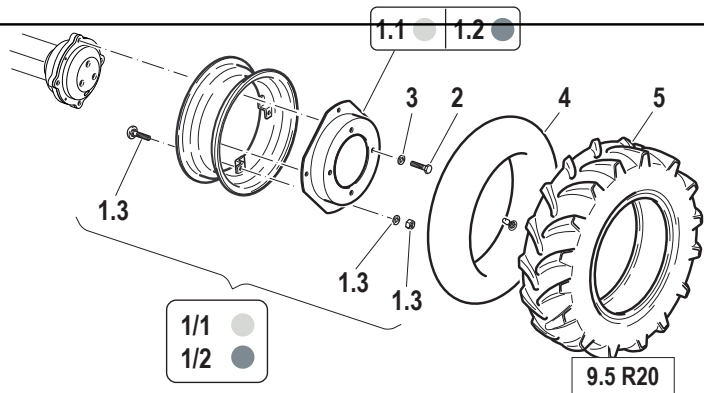
Pos.	Code	Q.ty	Description	Notes
1.1	58170181	1	DISC	
1/1	59270304	1	RIM	
1/2	59273925	1	RIM	
1.2	58175965	1	DISC	
1.3	59900361	1	KIT	
2	F0864410500	4	SCREW M18X1,5/45 U/5740	
3	F0844150000	1	WASHER D.30x18,5/5	
4	F0848920000	1	INNER TUBE	
5	F0848664000	1	TYRE 9.5-R20	
6.1	58176323	1	FLANGIA CERCHIO W10X20 RAL1003	
6/1	59276320	1	RIM	
6/2	59276321	1	RIM	
6.2	58176324	1	FLANGIA CERCHIO W10X20 RAL9006	
6.3	59900361	1	KIT	
7	F0848680000	1	TYRE 11.2-R20	
8	F0848940000	1	INNER TUBE	
9	F0848679500	1	TYRE 320/70R20	
10.1	58175630	1	RIM	
10/1	59275632	1	RIM	
10/2	59275633	1	RIM	
10.2	58175966	1	RIM	
10.3	59900361	1	KIT	
11	F0150010905	1	VALVE	
12	F0848679600	1	TYRE	
13	P000000009122	1	TYRE 340/65R18	
14	F0848655100	1	TYRE 280/70R18	
15.1	58175393	1	FLANGIA CERCHIO W8X18 RAL 1003	
15/1	59277990	1	RIM	
15/2	59277991	1	RIM	
15.2	58175967	1	FLANGIA CERCHIO W8X18 RAL 9006	
15.3	F0864357050	6	SCREW M16x1,5/40	
15.4	F0844082000	6	WASHER 17X32/4	
15.5	F0814793010	6	HEXAGON NUT M16X1.5	
16	56370539	4	SCREW	

SERIAL

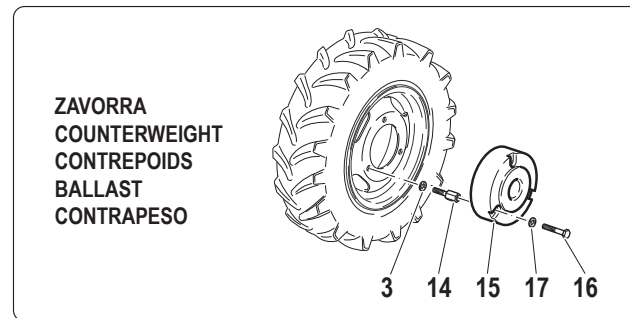
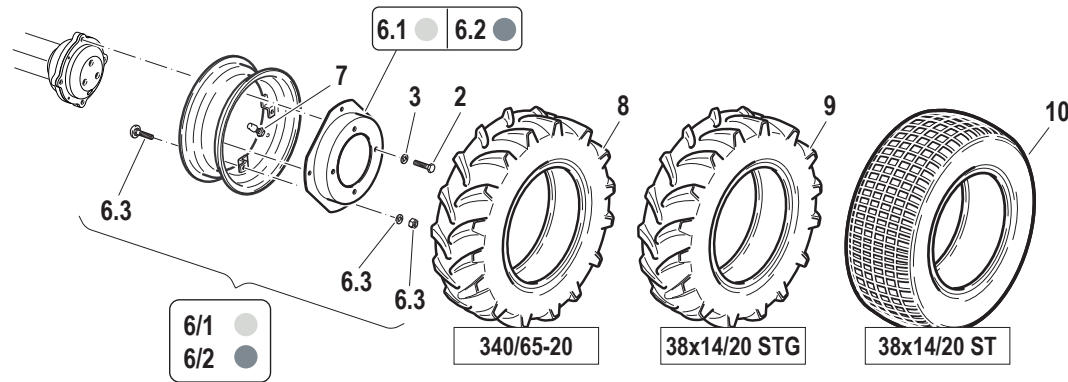
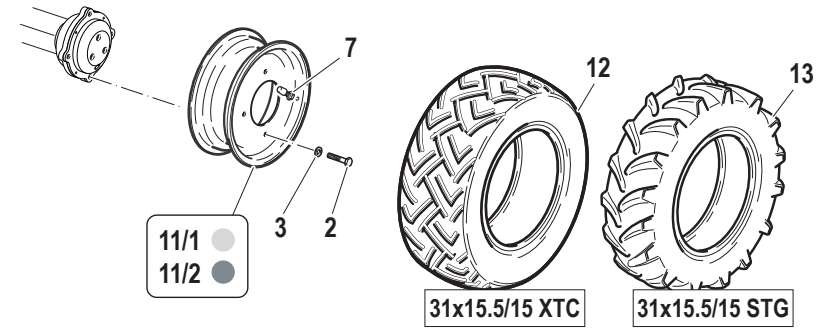
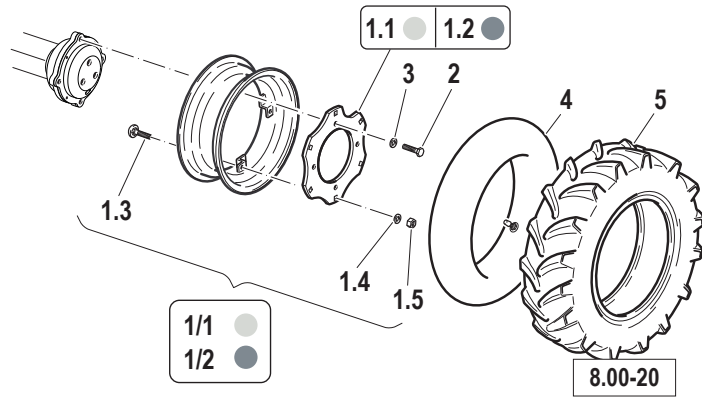
WHEELS AND TYRES (TABLE 1/2)

CODE REV

W.01.01_0_54464



Pos.	Code	Q.ty	Description	Notes
17	51177257	1	BALLAST	
18	F0864314000	4	SCREW	
19	F0843993060	4	WASHER	



Pos.	Code	Q.ty	Description	Notes
1.1	56177416	1	DISCO CERCHIO 5,50X20 RAL 1003	
1/1	59277415	1	RIM	
1.2	56177417	1	DISCO CERCHIO 5,50X20 RAL 9006	
1/2	59277414	1	RIM	
1.3	F0864357100	5	SCREW M16x1,5x120 UNI5731	
1.4	F0844084000	5	WASHER D.35x17/4	
1.5	31221161	5	NUT M16X1,5	
2	F0864410500	4	SCREW M18X1,5/45 U/5740	
3	F0844150000	4	WASHER D.30x18,5/5	
4	F0848920000	1	INNER TUBE	
5	39118528	1	TYRE 8.00X20/8	
6.1	58176323	1	FLANGIA CERCHIO W10X20 RAL1003	
6/1	59276965	1	RIM	
6/2	59276964	1	RIM	
6.2	58176324	1	FLANGIA CERCHIO W10X20 RAL9006	
6.3	59900361	1	KIT	
7	F0150010905	1	VALVE	
8	F0848679700	1	TYRE 340/65 R20	
9	F0848683500	1	TYRE 38X14.00-20 8PR	
10	F0848683000	1	TYRE	
11/1	58178571	1	RIM	
11/2	58178572	1	RIM	
12	F0848681600	1	TYRE 31X15.5-15 8PR	
13	F0848681605	1	TYRE 31X15.5-15	
14	56370539	4	SCREW	
15	51177257	1	BALLAST	
16	F0864314000	4	SCREW	
17	F0843993060	4	WASHER	

Pos.	Code	Q.ty	Description	Notes
1	59900378	1	CHASSIS FRAME	
2	59900379	1	STRIKER PLATE	
3	59900380	1	TANK SUPPORT	
4	59900381	2	ROD	
5	59900006	2	SUMP	
6	59900007	1	FRONT GLASS	
7	59900382	2	GASKET	
8	59900009	1	TANK	
9	59900010	1	TANK COVER	
10	59900011	1	ELECTRIC PUMP	
11	59900012	1	TANK SUPPORT	
12	59900383	4	SHIM	
13	59900013	1	KNOB	
15	59900386	2	FOAM RUBBER	
16	59900387	1	PIPE	
17	59900388	1	PIPE FITTING	
18	59900389	1	TANK	
19	59900028	2	SMALL PLATE	
20	59900390	4	ALUMINIUM GASKET WASHER M12X18	
21	59900391	1	GASKET	
22	31112093	4	SCREW TE M6X20	
23	59900392	2	GASKET	
24	59900393	2	ELASTIC WASHER M8 D.17MM	
25	59900026	2	CLEVIS	
26	59900027	2	SHIM M12X36	
27	59900394	2	PIN HOLDER	
28	59900029	1	PLATE	
29	59900030	2	RIVET	
30	59900395	2	RIBBED SCREW 6,5X20	
31	59900396	1	HEXAGON SCREW M6X15	
32	59900397	2	RIVET	
33	59900034	2	PIN	
34	P000000005545	2	SCREW	
35	59900398	8	WASHER M6X18	

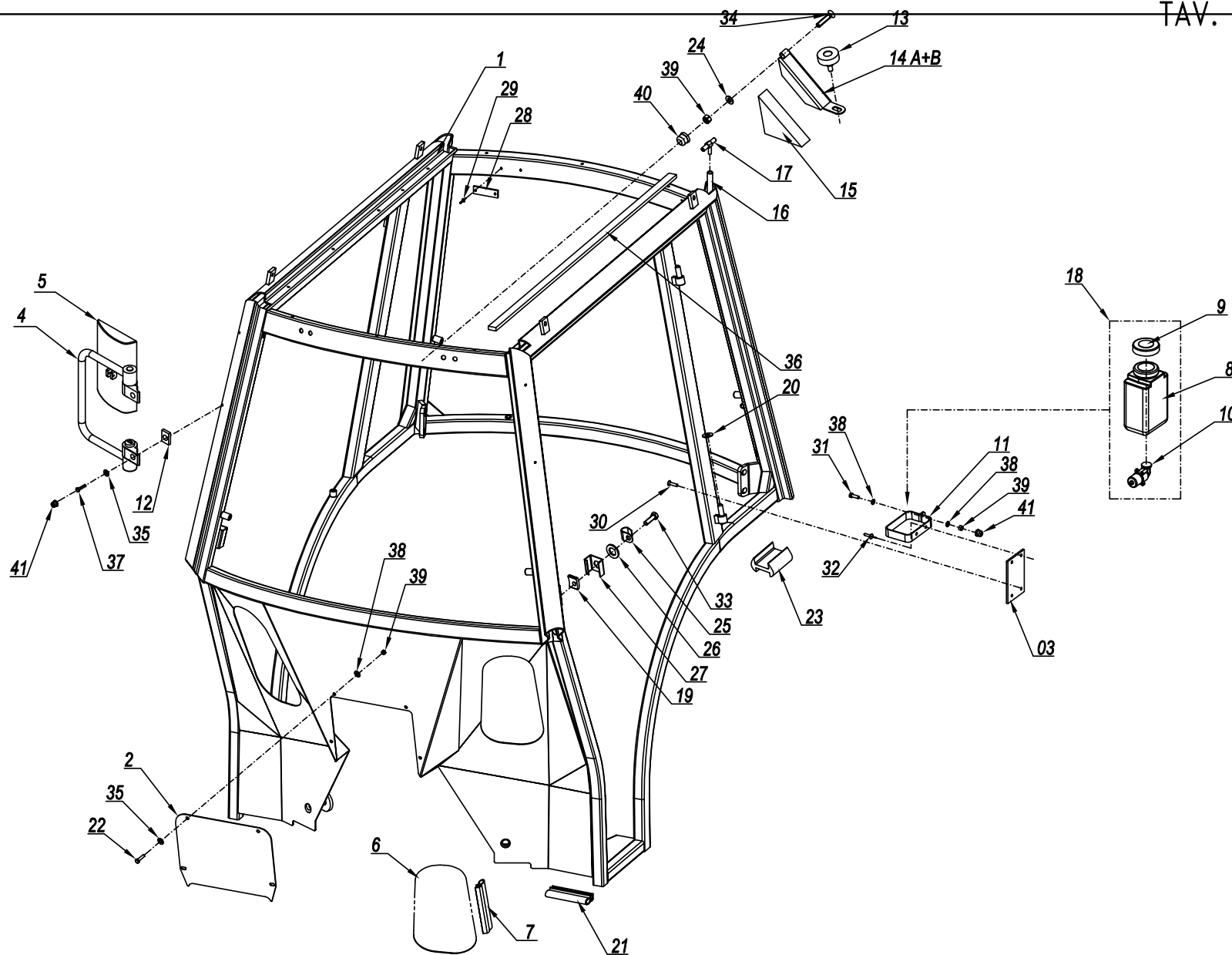
SERIAL

FRAME "LOCHMANN"

CODE REV

Y.01.01_0_54532

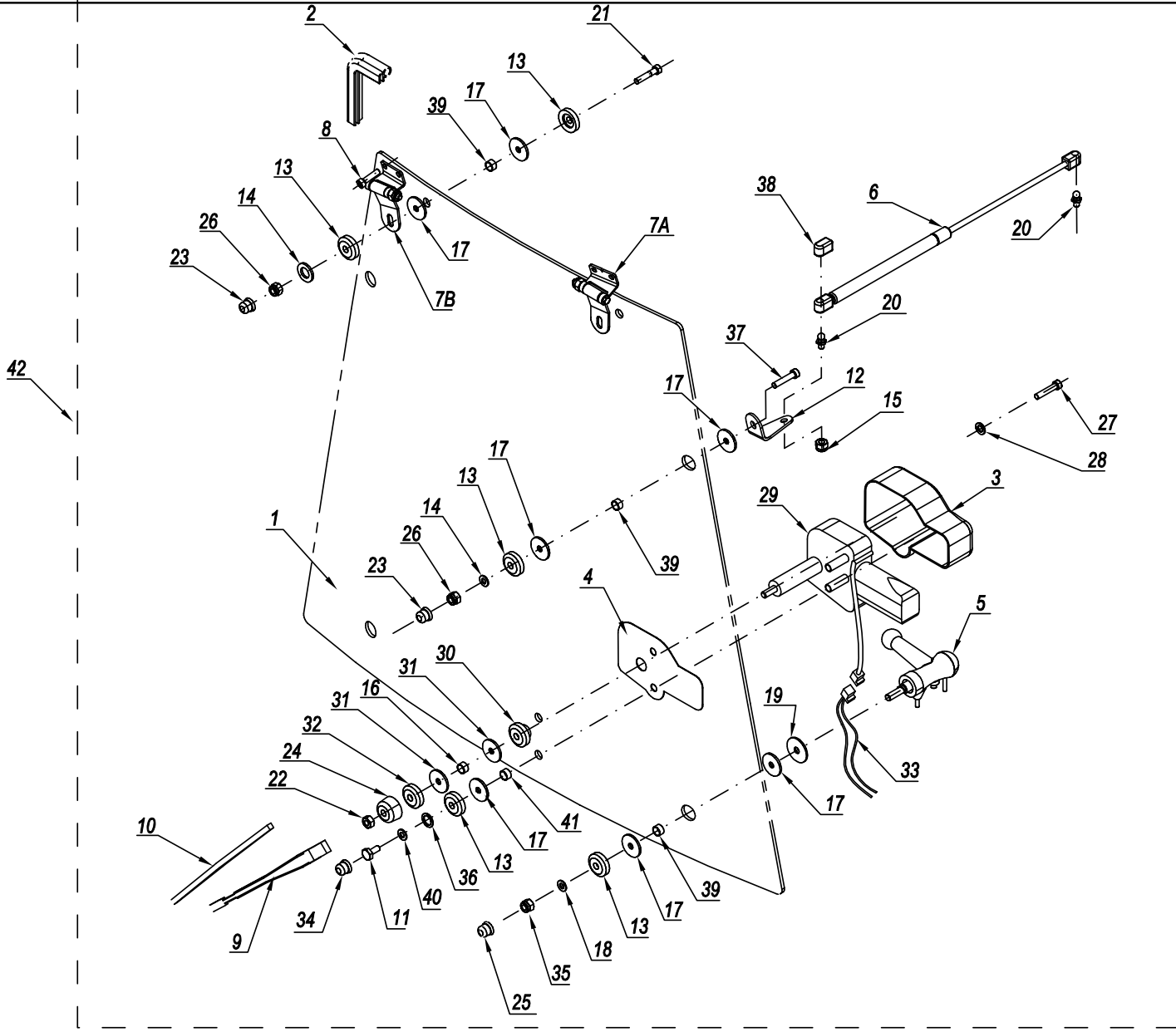
TAV. I



Pos.	Code	Q.ty	Description	Notes
36	59900399	1	FOAM RUBBER	
37	59900035	4	SCREW 6X20	
38	31411064	6	WASHER 6,4x12,5	
39	31241060	6	HEXAGON SELFLOCK NUT M6	
40	59900109	2	NUT COVER	
41	59900037	5	NUT COVER	
14a	59900384	1	TRIANGLE	
14b	59900385	1	TRIANGLE	

FRONT GLASS "LOCHMANN"

TAV. II



Pos.	Code	Q.ty	Description	Notes
1	59900090	1	FRONT GLASS	
2	59900400	1	GASKET	
3	59900401	1	COVER	
4	59900093	1	DECAL	
5	59900094	2	HANDLE	
6	59900095	2	PNEUMATIC SPRING	
8	31152081	4	SCREW TCEI M8X20 UNI 5931	
9	59900098	1	WIPER ARM	
10	59900098	1	WIPER ARM	
11	F0862261010	1	HEXAGON HEAD SCREW	
12	59900402	2	SUPPORT	
13	59900102	9	PLASTIC WASHER 10x36/8	
14	31411084	4	WASHER 8,4x17	
15	31241081	2	HEXAGON SELFLOCK NUT	
16	59900403	1	SPACER	
17	59900074	13	WASHER	
18	31411105	1	WASHER 10,5x21	
19	59900404	2	WASHER FOR SUPPORTING M10X36	
20	59900106	4	JOINT	
21	31122805	2	SCREW M8X40 UNI 5731	
22	31211060	1	HEXAGONAL NUT M8	
23	59900109	4	NUT COVER	
24	59900107	1	PIN COVER	
25	59900108	2	NUT COVER	
26	31241080	4	HEXAGON SELFLOCK NUT M8	
27	59900405	2	SCREW	
28	59900406	2	WASHER FOR FIXTING	
29	59900092	1	WIPER MOTOR	
30	59900407	1	WASHER M16 D.30MM	
31	59900408	2	RUBBER WIPER MOTOR WASHER	
32	59900409	1	CONICAL WASHER FOR WIPER MOTOR	
33	59900410	1	CABLE	
34	59900037	1	NUT COVER	
35	31241100	1	SELFLOCK HEXAGON NUT M10	

SERIAL

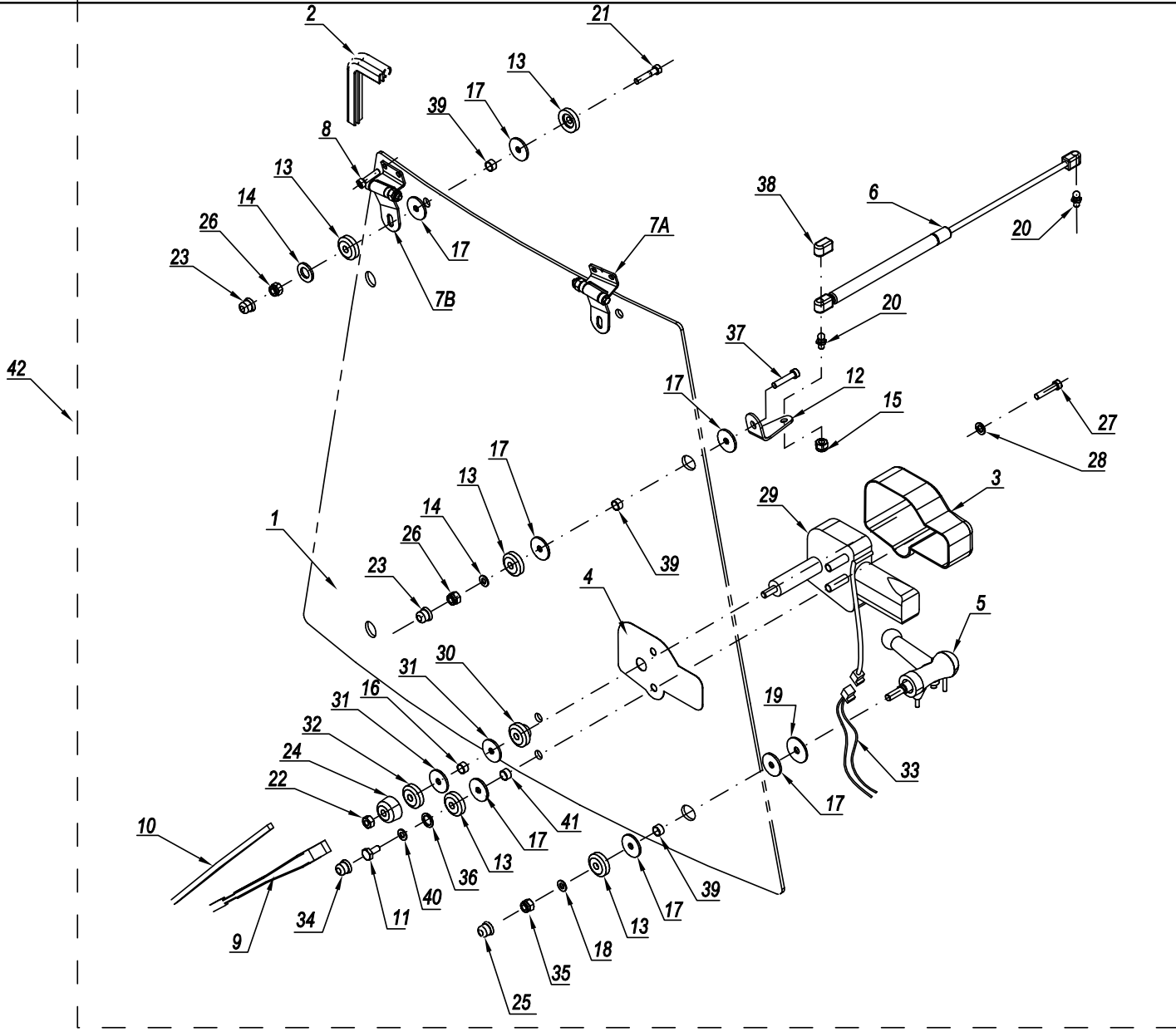
FRONT GLASS "LOCHMANN"

CODE REV

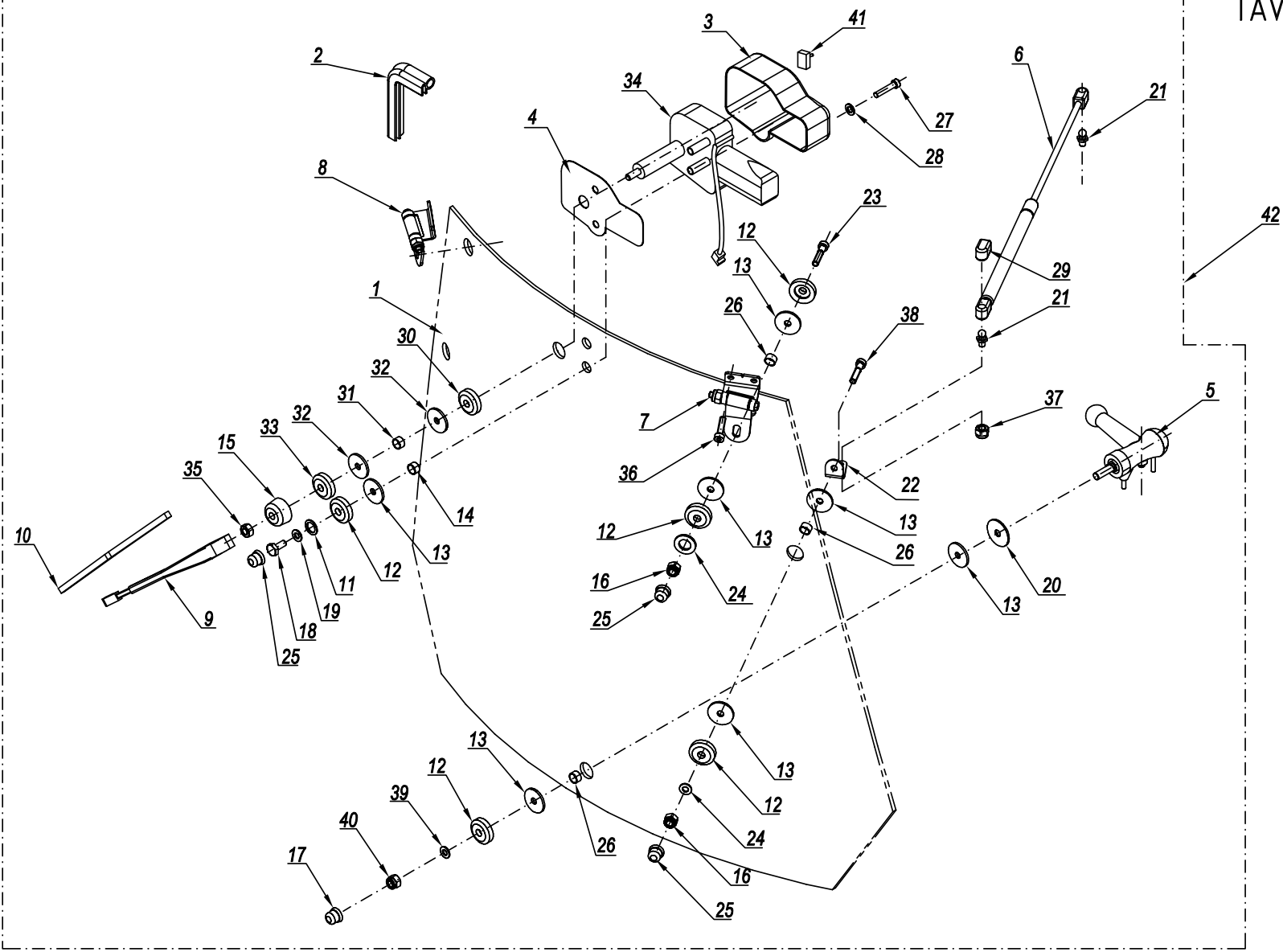
Y.01.02_0_54575

FRONT GLASS "LOCHMANN"

TAV. II



Pos.	Code	Q.ty	Description	Notes
36	59900411	1	WASHER M6X24	
37	58090333	2	SCREW	
38	59900119	4	HEAD	
39	59900103	6	RING	
40	31411064	1	WASHER 6,4x12,5	
41	59900138	1	NYLON RING HINGE 14X13	
42	59900412	1	FRONT GLASS	
7a	59900096	1	LH HINGE	
7b	59900097	1	RH HINGE	



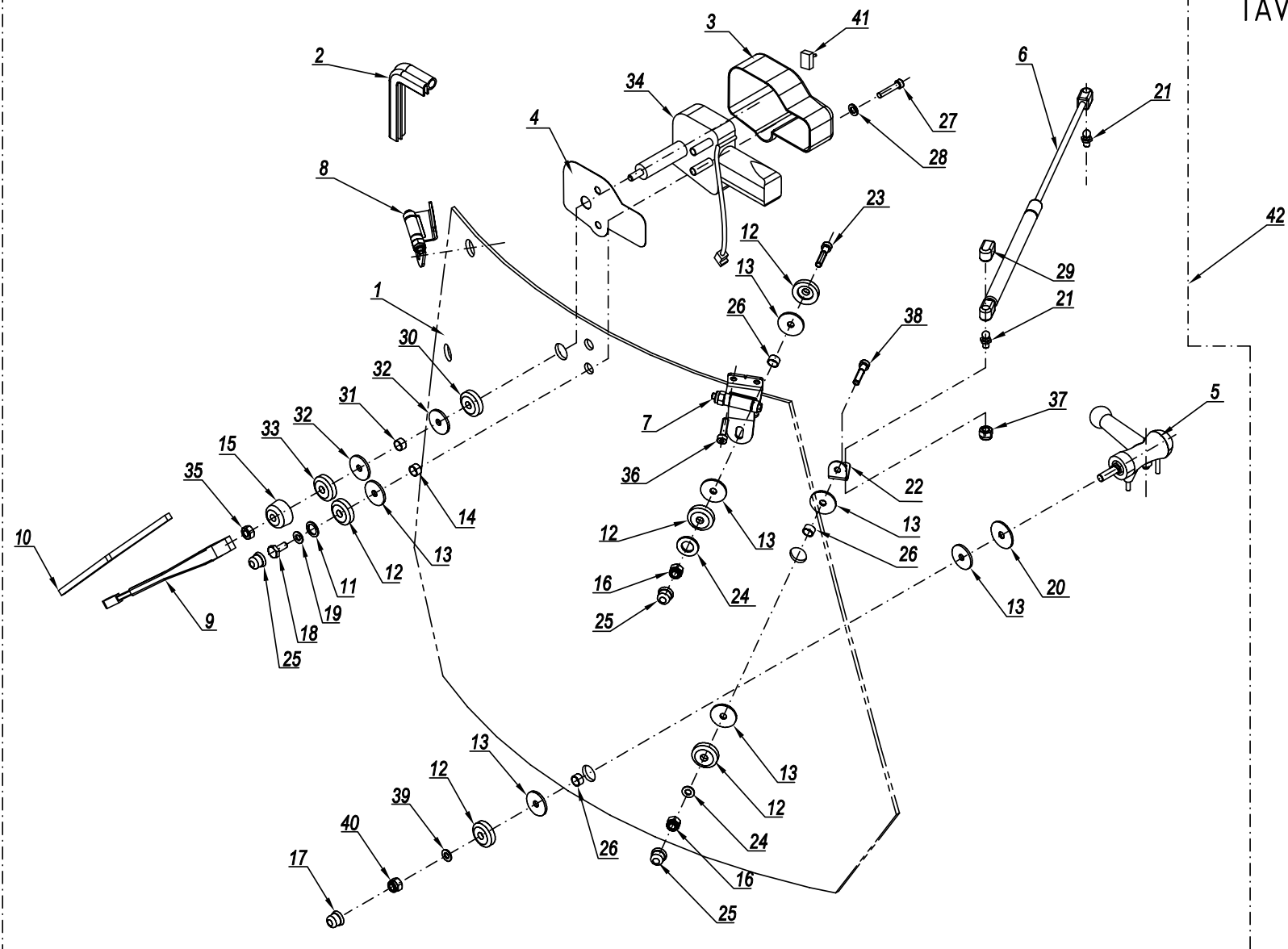
Pos.	Code	Q.ty	Description	Notes
1	59900132	1	REAR GLASS	
2	59900413	1	GLASS GASKET	
3	59900414	1	COVER	
4	59900093	1	DECAL	
5	59900094	1	HANDLE	
6	59900095	2	PNEUMATIC SPRING	
8	59900136	1	LH HINGE	
9	59900098	1	WIPER ARM	
10	59900098	1	WIPER ARM	
11	59900411	1	WASHER M6X24	
12	59900102	8	PLASTIC WASHER 10x36/8	
13	59900074	9	WASHER	
14	59900138	1	NYLON RING HINGE 14X13	
15	59900107	1	PIN COVER	
16	31241080	4	HEXAGON SELFLOCK NUT M8	
17	59900108	1	NUT COVER	
18	F0862261010	1	HEXAGON HEAD SCREW	
19	31411064	1	WASHER 6,4x12,5	
20	59900407	1	WASHER M16 D.30MM	
21	59900106	4	JOINT	
22	59900402	2	SUPPORT	
23	31122805	2	SCREW M8X40 UNI 5731	
24	31411084	4	WASHER 8,4x17	
25	59900109	4	NUT COVER	
26	59900103	5	RING	
27	59900405	2	SCREW	
28	59900406	2	WASHER FOR FIXTING	
29	59900119	4	HEAD	
30	59900407	1	WASHER M16 D.30MM	
31	59900403	1	SPACER	
32	59900408	2	RUBBER WIPER MOTOR WASHER	
33	59900409	1	CONICAL WASHER FOR WIPER MOTOR	
34	59900134	1	WIPER MOTOR	
35	31211060	1	HEXAGONAL NUT M8	

SERIAL

REAR GLASS "LOCHMANN"

CODE REV

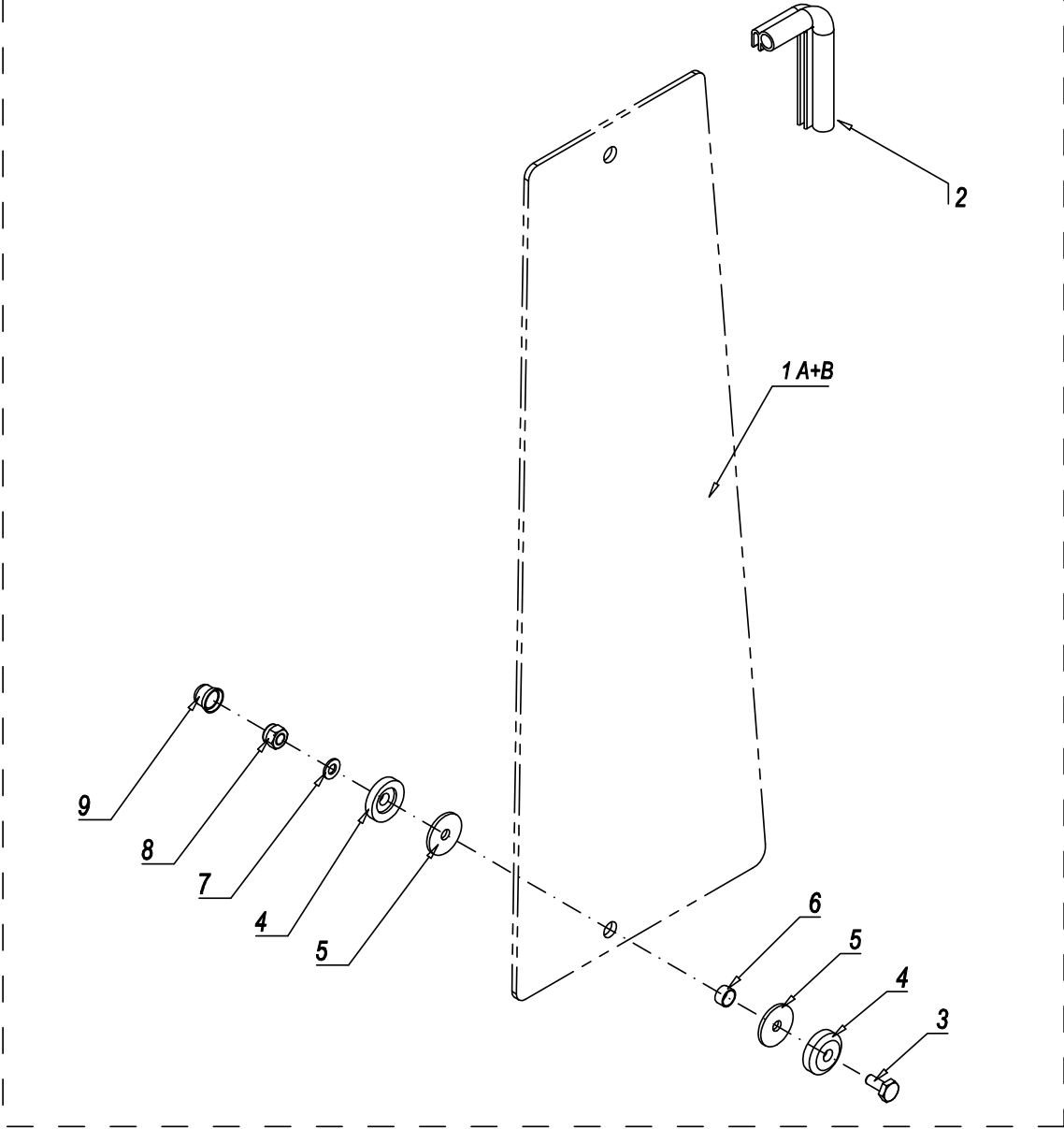
Y.01.03_0_54619



Pos.	Code	Q.ty	Description	Notes
36	31152081	4	SCREW TCEI M8X20 UNI 5931	
37	31241081	2	HEXAGON SELFLOCK NUT	
38	58090333	2	SCREW	
39	31411105	1	WASHER 10,5x21	
40	31241100	1	SELFLOCK HEXAGON NUT M10	
41	59900415	1	SWITCH	
42	59900416	1	REAR GLASS	
7a	59900135	1	CERNIERA VETRO POSTERIORE DX	

SIDE GLASS "LOCHMANN"

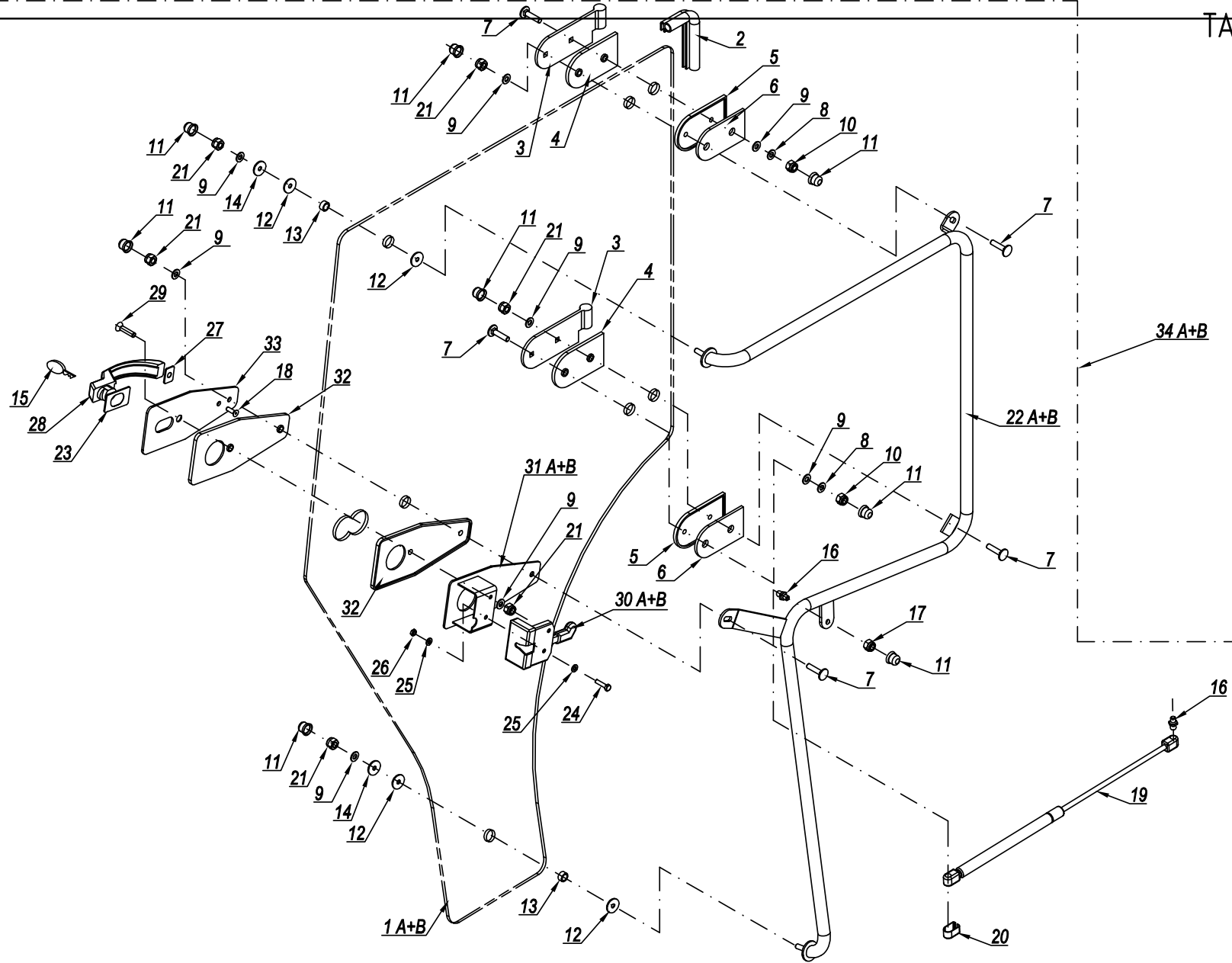
TAV. IV



Pos.	Code	Q.ty	Description	Notes
2	59900419	1	GLASS GASKET	
3	31122805	2	SCREW M8X40 UNI 5731	
4	59900102	4	PLASTIC WASHER 10x36/8	
5	59900074	4	WASHER	
6	59900103	2	RING	
7	31411084	2	WASHER 8,4x17	
8	31241080	2	HEXAGON SELFLOCK NUT M8	
9	59900109	2	NUT COVER	
1a	59900417	1	RH SIDE GLASS	
1b	59900418	1	LH SIDE GLASS	
10a	59900420	1	RH SIDE GLASS	
10b	59900421	1	LH SIDE GLASS	

LEFT/RIGHT DOOR "LOCHMANN"

TAV. V



Pos.	Code	Q.ty	Description	Notes
2	59900423	1	GLASS GASKET	
3	59900424	2	RH HINGE	
4	59900425	2	GASKET	
5	59900426	2	GASKET	
6	59900427	2	PLATE	
7	58090333	4	SCREW	
8	59900117	2	WASHER 11,4 M8	
9	31411084	8	WASHER 8,4x17	
10	31211060	2	HEXAGONAL NUT M8	
11	59900109	9	NUT COVER	
12	59900074	4	WASHER	
13	59900103	2	RING	
14	59900102	2	PLASTIC WASHER 10x36/8	
15	59900428	1	KEY	
16	59900106	2	JOINT	
17	31241081	1	HEXAGON SELFLOCK NUT	
18	59900429	1	NYLON DISTANCE RING	
19	59900118	1	PNEUMATIC SPRING	
1a	59900377	1	GLASS	
1b	59900422	1	RH DOORGLASS	
20	59900119	2	HEAD	
21	31241080	5	HEXAGON SELFLOCK NUT M8	
23	59900131	1	GASKET	
24	59900432	2	HEXAGON HEAD SCREW	
25	31411064	4	WASHER 6,4x12,5	
26	31241060	2	HEXAGON SELFLOCK NUT M6	
27	59900130	1	GASKET	
28	59900129	1	DOOR HANDLE	
29	F0862728000	1	SCREW M8x30 UNI 5933	
32	59900127	1	GASKET	
33	59900128	1	PLATE	
22a	59900430	1	DOOR HANDLE	
22b	59900431	1	DOOR HANDLE	
30a	59900123	1	LOCK SMALL BLOCK	

SERIAL

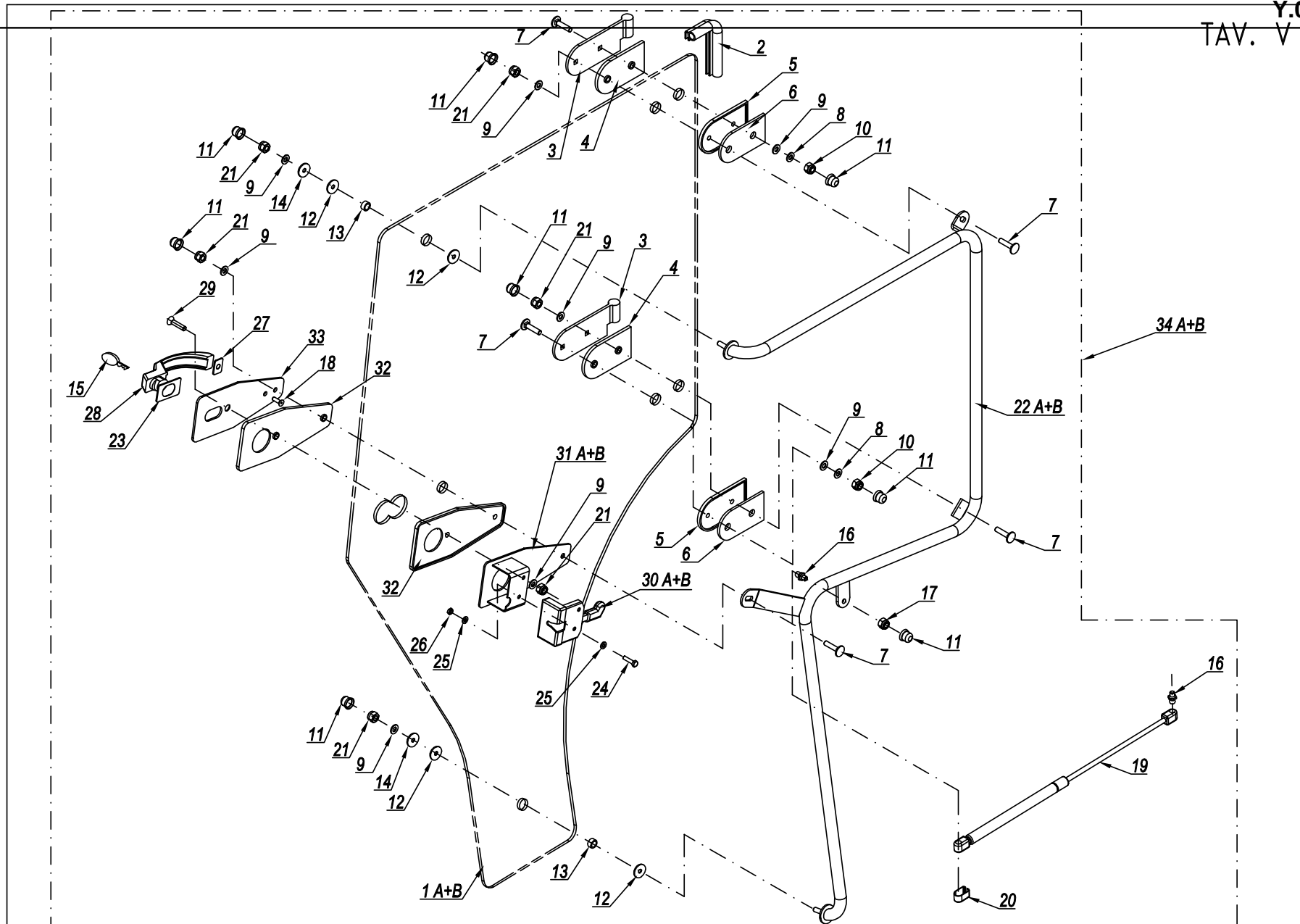
LEFT/RIGHT DOOR "LOCHMANN"

CODE REV

Y.01.05_0_54662

LEFT/RIGHT DOOR "LOCHMANN"

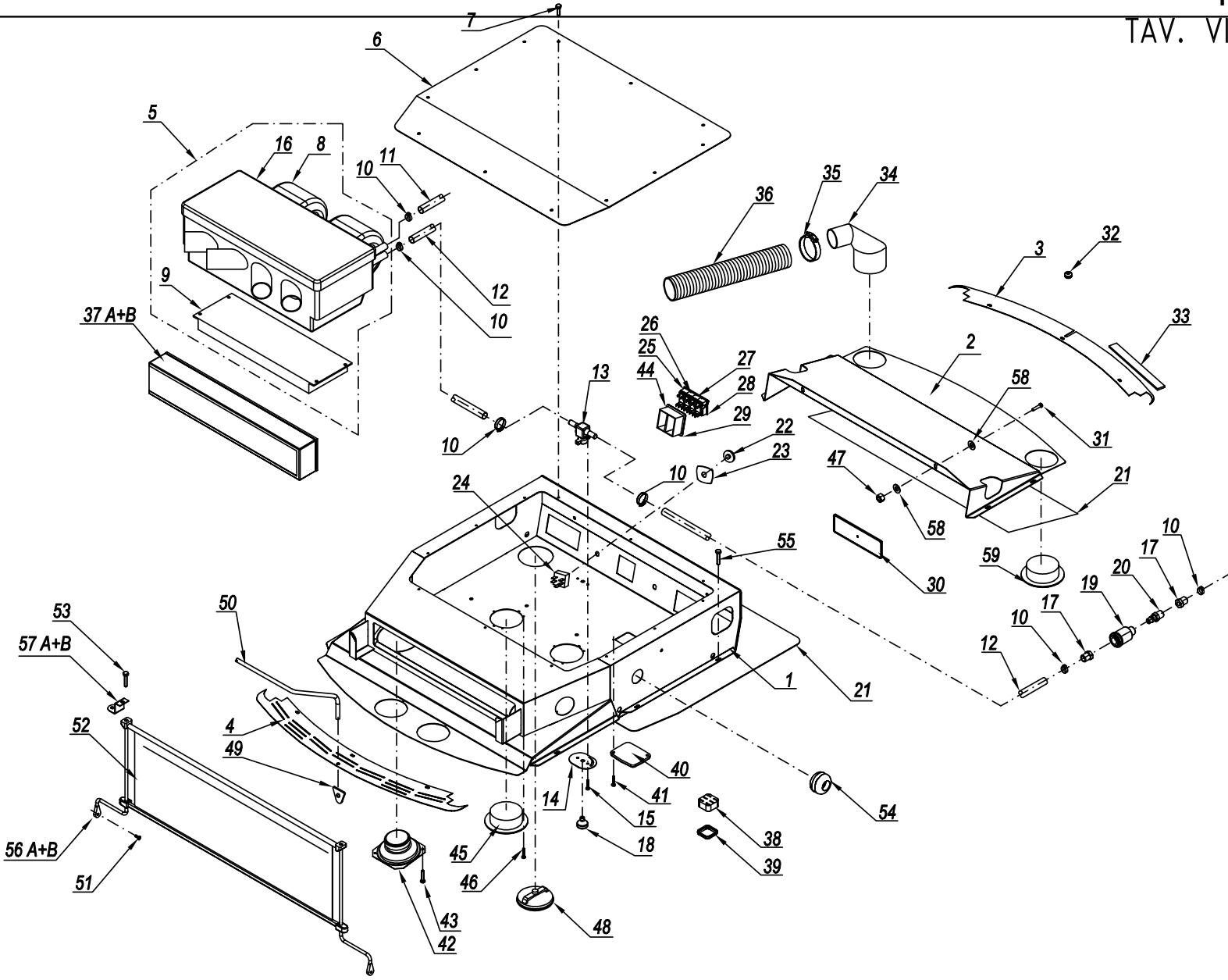
TAV. V



Pos.	Code	Q.ty	Description	Notes
30b	59900124	1	LOCK SMALL BLOCK	
31a	59900125	1	SUPPORT	
31b	59900126	1	SUPPORT	
34a	59900433	1	CAB DOOR - LEFT	
34b	59900434	1	CAB DOOR RIGHT	

UNDER-ROOF - HEATING "LOCHMANN"

TAV. VI



Pos.	Code	Q.ty	Description	Notes
1	59900435	1	INNER CAB ROOF PANEL	
2	59900436	1	SHEET	
3	59900055	1	FASTENER	
4	59900059	1	FASTENER	
5	59900437	1	UNIT	
6	59900438	1	GEARBOX HOUSING COVER	
7	59900439	9	SUNK HEAD RIBBED SCREW	
8	59900440	1	DIGITAL INSTRUMENT	
9	59900441	1	RADIATOR	
10	59900071	8	PIPE CONNECTION	
11	59900442	1	PIPE	
12	59900443	1	PIPE	
13	59900068	1	COCK OR TAP	
14	59900444	1	FRONT GRILLE	
15	59900036	2	RIBBED SCREW	
16	59900445	1	KIT	
17	59900020	4	PIPE FITTING	
18	59900070	1	KNOB	
19	59900018	2	CONNECTION	
20	59900019	2	CONNECTION	
21	59900446	1	LINING	
22	59900447	1	KNOB	
23	59900448	1	PLATE	
24	59900449	1	SWITCH	
25	59900450	1	SWITCH	
26	59900451	1	SWITCH	
27	59900452	1	SWITCH	
28	59900453	1	SWITCH	
29	59900052	2	SWITCH SUPPORT	
30	59900062	1	HOLECOVER	
31	31112093	2	SCREW TE M6X20	
32	59900075	1	GASKET	
33	59900399	1	FOAM RUBBER	
34	59900454	4	PIPE FITTING	

SERIAL

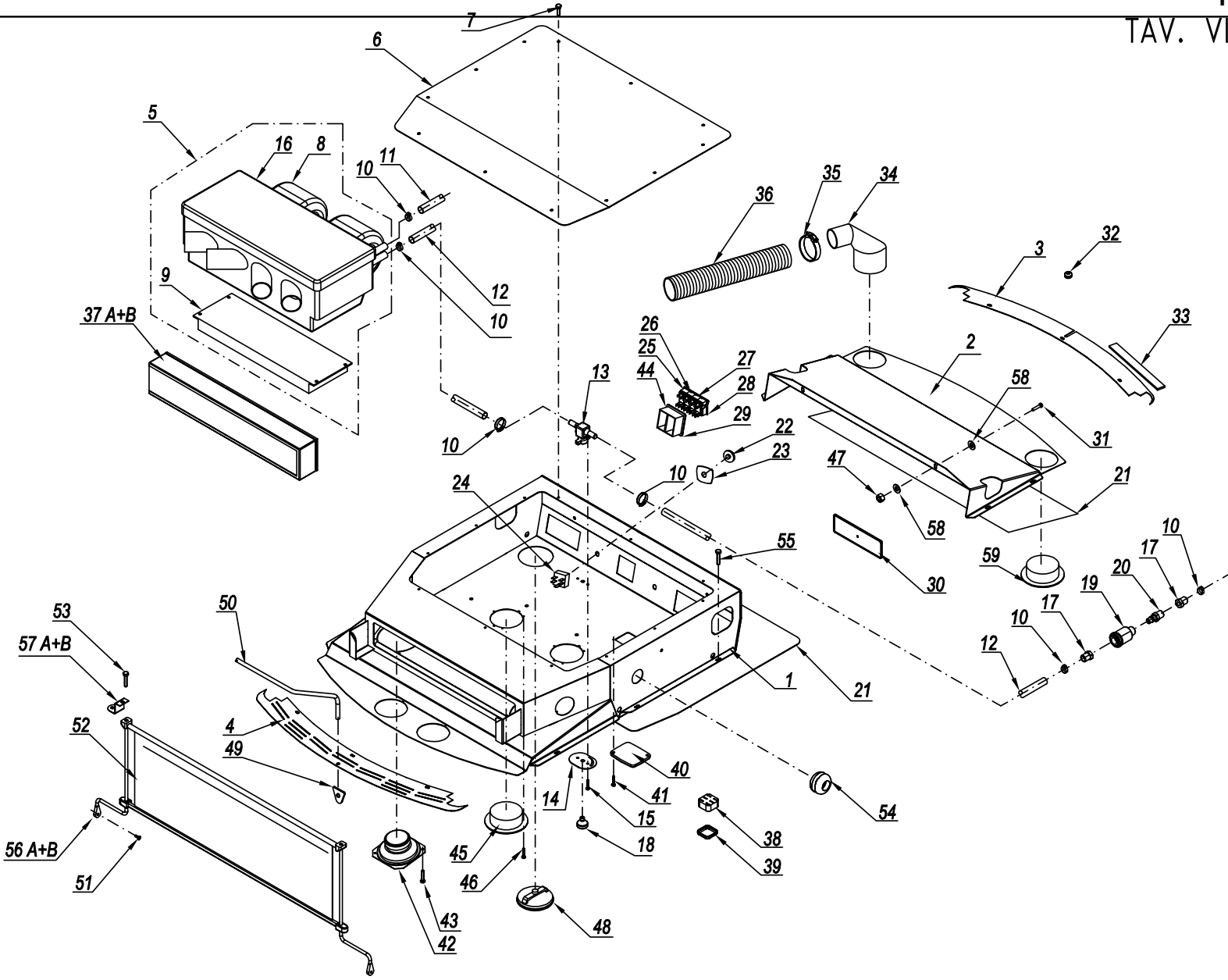
UNDER-ROOF - HEATING "LOCHMANN"

CODE REV

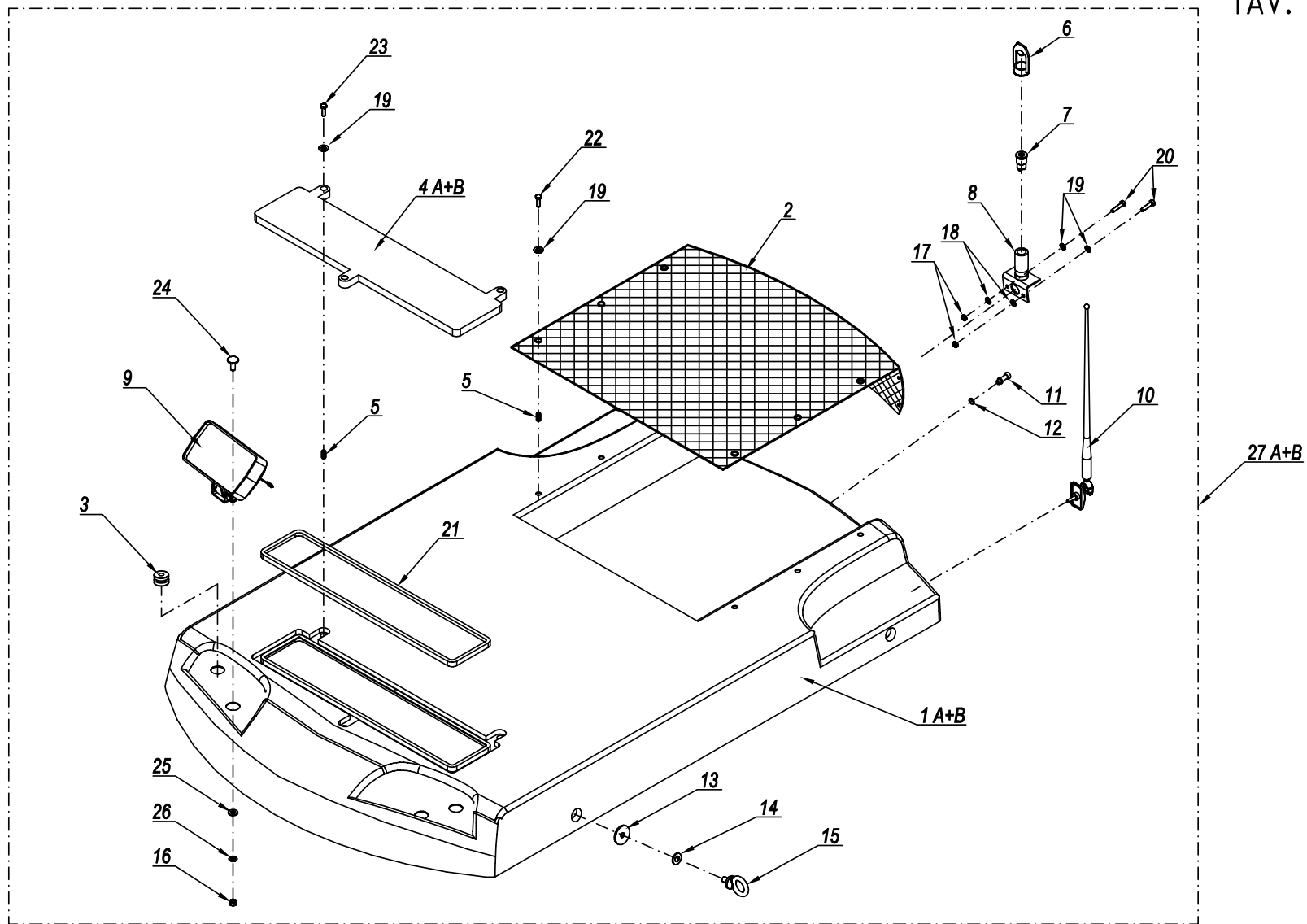
Y.01.06_0_54702

UNDER-ROOF - HEATING "LOCHMANN"

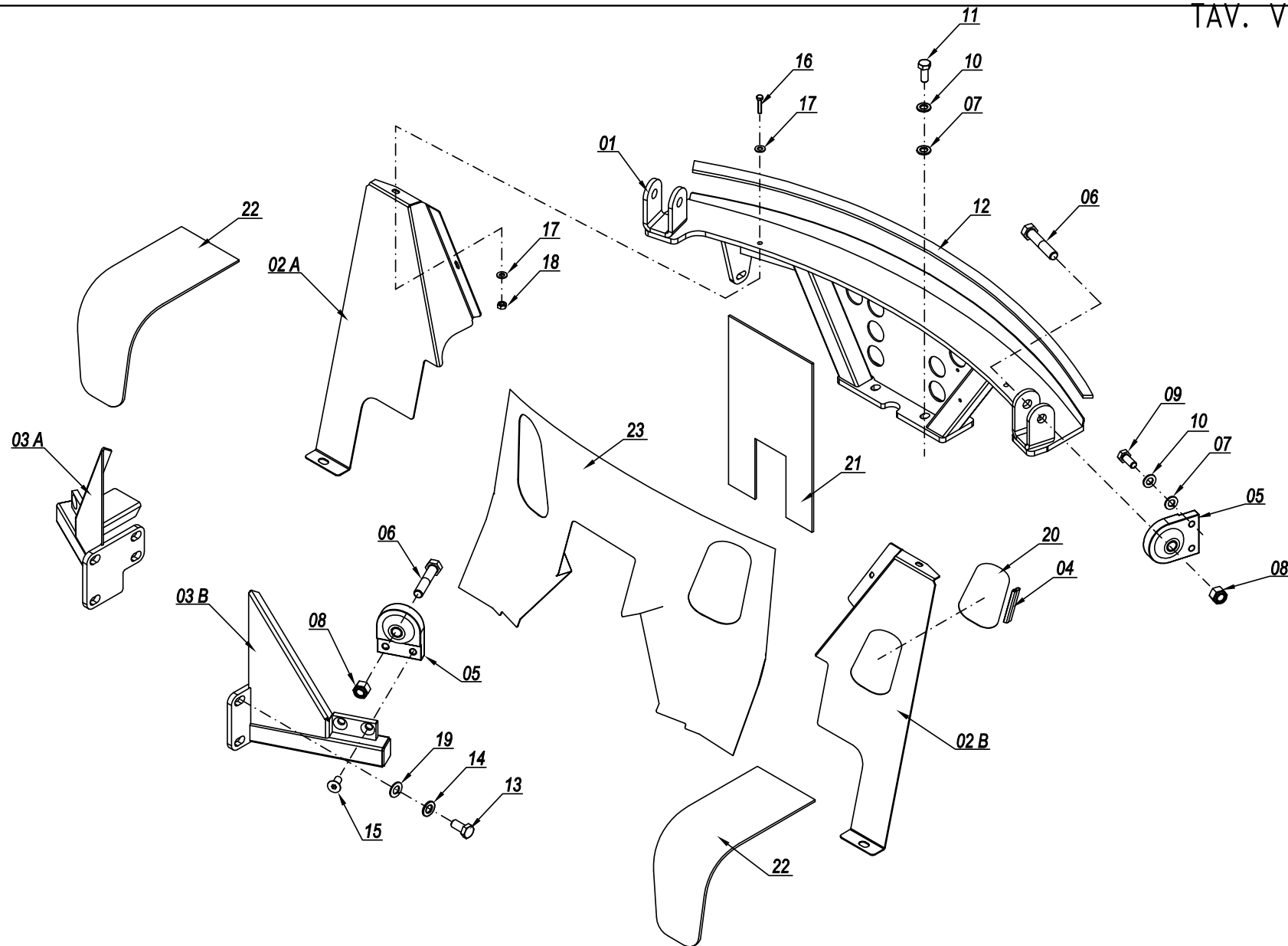
TAV. VI



Pos.	Code	Q.ty	Description	Notes
35	59900455	4	HOSE CLIP	
36	59900456	1	PIPE	
38	59900058	1	FUSE-HOLDER	
39	59900057	1	COVER	
40	59900459	1	PLAFONIERA PER VENTILAZIONE	
41	59900460	2	RIBBED SCREW 3,5X16	
42	59900461	2	LOUD SPEAKER	
43	59900462	8	RIBBED SCREW	
44	59900051	2	SWITCH SUPPORT	
45	59900463	2	TONGUE	
46	59900464	6	SUNK HEAD RIBBED SCREW 2,9X19	
47	31241060	2	HEXAGON SELFLOCK NUT M6	
48	59900465	2	TONGUE	
49	59900466	1	COOLING NOZZLE	
50	59900387	1	PIPE	
51	59900467	2	RIBBED SCREW	
52	59900041	1	ROLL-UP SUN-SHADE	
53	59900468	2	RIBBED SCREW 4,8X13	
54	59900469	1	PLUG	
55	59900395	14	RIBBED SCREW 6,5X20	
58	31411064	4	WASHER 6,4x12,5	
59	59900474	4	TONGUE	
37a	59900457	1	FILTER	
37b	59900458	1	CARBON FILTER	
56a	59900470	1	ROD	
56b	59900471	1	ROD	
57a	59900472	1	SUPPORT	
57b	59900473	1	SUPPORT	

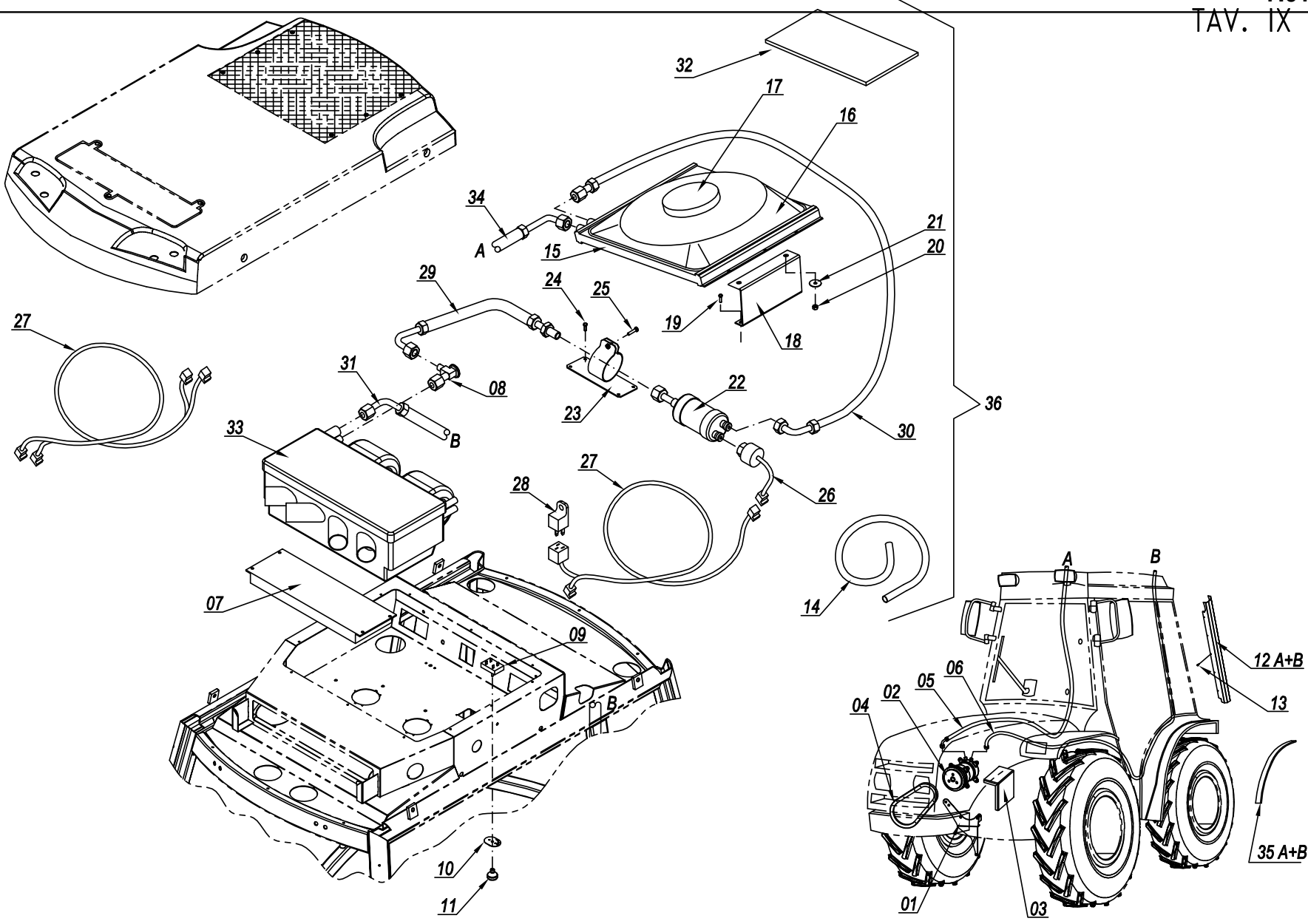


Pos.	Code	Q.ty	Description	Notes
2	59900475	1	SHEET	
3	59900075	4	GASKET	
5	59900476	3	INSERT	
6	59900046	1	PLASTIC PLUG	
7	59900047	1	SOCKET	
8	59900048	1	SUPPORT	
9	59900049	4	WORKING SPOTLIGHT	
10	59900050	1	AERIAL	
11	59900466	1	COOLING NOZZLE	
12	59900477	1	RUBBER PLUG	
13	59900074	4	WASHER	
14	59900404	4	WASHER FOR SUPPORTING M10X36	
15	59900073	4	GOLFARO MASCHIO	
16	31211060	4	HEXAGONAL NUT M8	
17	31241060	2	HEXAGON SELFLOCK NUT M6	
18	59900398	2	WASHER M6X18	
19	31411064	17	WASHER 6,4x12,5	
1a	59900038	1	ROOF	
1b	59900039	1	ROOF	
20	59900432	2	HEXAGON HEAD SCREW	
21	59900478	1	FOAM RUBBER	
22	59900396	11	HEXAGON SCREW M6X15	
23	31112093	3	SCREW TE M6X20	
24	31121801	4	SCREW TTQ M8X20 UNI 5731	
25	31411090	4	WASHER 9x24	
26	59900117	4	WASHER 11,4 M8	
4a	59900042	1	COVER	
4b	59900043	1	COVER	
27a	59900479	1	ROOF	
27b	59900480	1	ROOF	



Pos.	Code	Q.ty	Description	Notes
1	59900481	1	SUPPORT	
4	59900382	1	GASKET	
5	59900082	4	SILENT-BLOCK	
6	31112442	4	SCREW TE M16X80 UNI 5737	
7	59900486	4	WASHER M12 D.24MM	
8	31241160	4	SELFLOCK NUT M16 6S	
9	59900487	4	SCREW	
10	59900488	4	WASHER M12 D21	
11	59900489	4	SCREW	
12	59900490	1	GLASS GASKET	
13	59900491	8	SCREW	
14	59900492	8	WASHER	
15	F0863728010	4	SCREW M12X25 UNI5933	
16	59900493	4	SCREW	
17	31411084	4	WASHER 8,4x17	
18	31241080	4	HEXAGON SELFLOCK NUT M8	
19	59900494	8	WASHER M14 D.28MM	
20	59900495	2	REAR GLASS	
21	59900496	1	LINING	
22	59900497	1	LINING	
23	59900498	1	LINING	
2a	59900482	1	STRIKER PLATE	
2b	59900483	1	STRIKER PLATE	
3a	59900484	1	FRONT SUPPORT	
3b	59900485	1	FRONT SUPPORT	

AIR CONDITIONING "LOCHMANN"



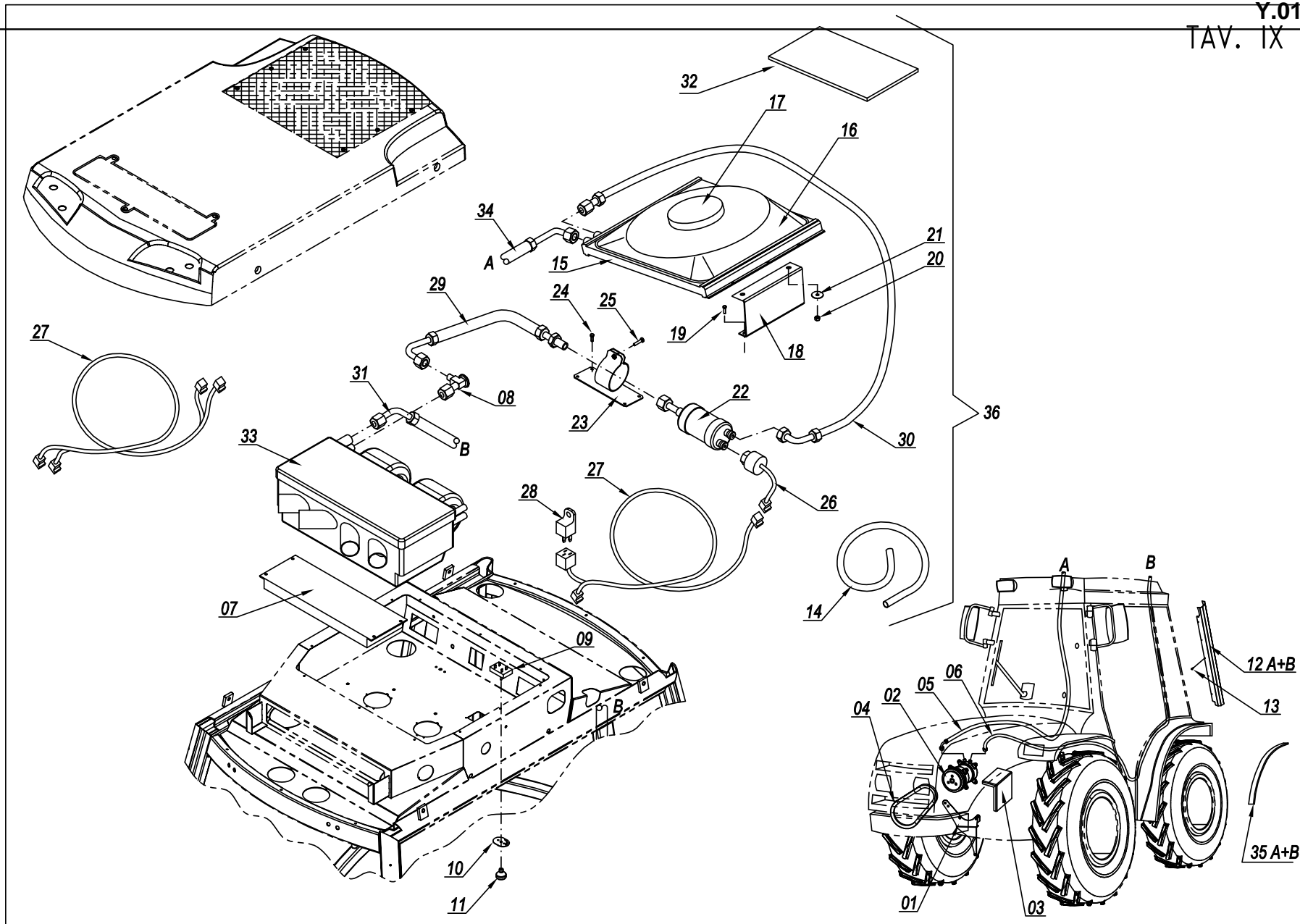
Pos.	Code	Q.ty	Description	Notes
1	59900499	1	PLATE	
2	59900500	1	GEAR COMPRESSOR	
3	59900501	1	GUARD	
4	59900502	1	BELT	
5	59900503	1	PIPE	
6	59900504	1	PIPE	
7	59900505	1	VAPORIZER	
8	59900506	1	VALVE	
9	59900507	1	THERMOSTAT	
10	59900508	1	PLATE	
11	59900447	1	KNOB	
13	59900036	16	RIBBED SCREW	
14	59900511	1	EXHAUST	
15	59900512	1	CONDENSER	
16	59900513	1	DUCT	
17	59900514	1	FAN	
18	59900515	2	BRACKET	
19	59900516	4	RIBBED SCREW 4,8X16	
20	31241060	4	HEXAGON SELFLOCK NUT M6	
21	59900411	4	WASHER M6X24	
22	59900517	1	FILTER	
23	59900518	1	RETAINER	
24	59900396	1	HEXAGON SCREW M6X15	
25	59900432	1	HEXAGON HEAD SCREW	
26	59900519	1	BULB	
27	59900520	1	ELECTRICAL SYSTEM	
28	59900521	1	RELAY	
29	59900522	1	PIPE	
30	59900523	1	PIPE	
31	59900524	1	PIPE	
32	59900525	1	GUARD	
33	59900526	1	UNIT	
34	59900527	1	PIPE	
36	59900530	1	KIT	

SERIAL

AIR CONDITIONING "LOCHMANN"

CODE REV

Y.01.09_0_54796



Pos.	Code	Q.ty	Description	Notes
12a	59900509	1	CHANNEL	
12b	59900510	1	CHANNEL	
35a	59900528	1	CHANNEL	
35b	59900529	1	CHANNEL	

SPARE PARTS INSTANCE INDEX



SPARE PARTS INSTANCE INDEX

Code	Parts Table	Pos.	Q.ty	Code	Parts Table	Pos.	Q.ty	Code	Parts Table	Pos.	Q.ty
28177274	B.01.02_0_56437	3	1	31111151	L.02.04_0_53447	8	1	31112096	A.05.01_0_56089	27	2
30000007	C.01.01_0_51490	23	4		M.02.01_0_53618	8	1	31112146	B.10.01_0_51339	14	2
	D.03.02_0_52154	21	1		M.02.01_0_53618	36	3		C.02.02_0_51590	10	2
30000197	L.02.01_0_53287	26	6		M.02.02_0_53689	8	1		D.07.02_0_52066	11	4
	L.02.03_0_53393	33	4		M.02.02_0_53689	36	3		D.15.02_0_52771	36	4
	L.02.04_0_53447	27	7	31111156	D.01.01_0_52465	2/2	1	31112147	D.15.02_0_52771	29	2
	M.02.01_0_53618	26	6	31111218	A.05.01_0_56089	14	2	31112148	A.02.02_0_54125	13	2
	M.02.02_0_53689	26	7	31111331	B.01.02_0_56437	2	1	31112149	B.02.02_0_56470	22	4
30000211	F.03.02_0_53000	34	2	31112051	A.02.02_0_54125	22	1		B.02.02_1_76209	22	4
30000506	E.03.02_0_54270	15	1	31112082	A.01.02_0_55910	13	2		B.04.03_0_52306	24	6
30000514	B.03.01_0_55581	24	1		A.01.03_0_56388	13	2		B.08.02_0_51286	23	2
30000614	B.08.02_0_51286	8	1		B.01.02_0_56437	22	4		L.01.01_0_53253	9	2
30000638	E.03.02_0_54270	8	1		C.01.01_0_51490	48	8		M.01.01_0_53549	10	2
30000795	F.03.02_0_53000	48	1		E.01.01_0_54232	3	4		M.02.01_0_53618	29	1
30040035	C.03.01_0_51767	14	1		L.01.01_0_53253	14	2		M.02.02_0_53689	29	1
30040095	B.05.02_0_55703	19	8		M.01.01_0_53549	15	2	31112150	A.02.02_0_54125	6	1
31111090	F.04.01_0_55265	26	1	31112086	A.01.03_0_56388	38	1		B.01.02_0_56437	5	2
31111091	A.03.02_0_55953	2	4	31112090	A.01.02_0_55910	23	2		B.02.02_0_56470	8	2
	M.01.01_0_53549	62	1		A.01.03_0_56388	23	2		B.02.02_1_76209	8	2
31111102	A.01.03_0_56388	37	2		A.04.06_0_56068	13	2		D.02.01_0_51799	3	6
31111151	A.01.02_0_55910	7	3		C.01.01_0_51490	3	4		D.13.01_0_52705	7	1
	A.01.03_0_56388	7	3		F.02.02_0_55891	6	4		F.01.05_0_55833	26	4
	A.03.02_0_55953	20	2		F.03.02_0_53000	40	1		F.03.02_0_53000	26	2
	A.03.03_0_55986	34	2		M.02.01_0_53618	48	4		F.04.01_0_55265	2	2
	A.05.01_0_56089	29	1		M.02.02_0_53689	48	4		L.01.01_0_53253	25	2
	B.01.02_0_56437	18	1	31112092	F.03.02_0_53000	7	2		L.02.01_0_53287	22	4
	B.02.02_0_56470	25	2	31112093	A.03.02_0_55953	16	1		L.02.03_0_53393	17	3
	B.02.02_1_76209	25	2		A.03.03_0_55986	11	5		L.02.04_0_53447	23	4
	B.10.01_0_51339	40	4		B.02.02_0_56470	29	8		M.01.01_0_53549	35	2
	B.12.02_0_55774	10	5		B.02.02_1_76209	29	8		M.02.01_0_53618	23	4
	C.01.01_0_51490	35	2		M.01.01_0_53549	56	2		M.02.01_0_53618	34	2
	F.01.05_0_55833	16	4		Y.01.01_0_54532	22	4		M.02.02_0_53689	23	4
	L.02.01_0_53287	8	1		Y.01.06_0_54702	31	2		M.02.02_0_53689	34	2
	L.02.03_0_53393	8	1		Y.01.07_0_54765	23	3		T.01.01_0_53900	12	2

SPARE PARTS INSTANCE INDEX

Code	Parts Table	Pos.	Q.ty	Code	Parts Table	Pos.	Q.ty	Code	Parts Table	Pos.	Q.ty
31112150	T.01.02_0_53928	15	2	31112219	A.01.03_0_56388	10	2	31152083	F.01.05_0_55833	2	4
	T.01.03_0_53964	21	2		A.03.02_0_55953	11	2		F.02.02_0_55891	2	4
31112151	B.01.02_0_56437	8	1		B.04.03_0_52306	7	4	31152084	L.02.03_0_53393	21	2
	B.10.01_0_51339	17	2		B.04.04_0_52338	5	4	31152085	D.11.01_0_52534	2	2
	C.03.01_0_51767	3	6		F.03.02_0_53000	3	3	31152088	B.02.02_0_56470	11	2
	D.15.02_0_52771	24	1		L.01.01_0_53253	2	1		B.02.02_1_76209	11	2
	L.02.03_0_53393	18	2		M.01.01_0_53549	2	1	31152097	M.01.01_0_53549	47	2
31112152	D.07.02_0_52066	12	3	31112229	A.03.03_0_55986	7	2	31152103	A.03.02_0_55953	14	1
31112153	A.01.02_0_55910	17	1	31112264	B.03.01_0_55581	15	8		A.03.03_0_55986	9	1
	A.01.03_0_56388	17	1		B.03.02_0_55607	15	8		T.03.03_0_54078	4	2
31112161	D.11.01_0_52534	3	2		B.03.04_0_55657	17	8	31200501	A.04.03_0_56022	3	1
31112174	A.01.02_0_55910	15	1	31112267	C.01.01_0_51490	22	8		A.04.04_0_56038	3	1
	A.01.03_0_56388	15	1	31112328	B.01.02_0_56437	25	2		A.04.05_0_56055	3	1
31112208	A.01.02_0_55910	31	1	31112442	Y.01.08_0_54848	6	4		A.04.06_0_56068	3	1
	A.01.03_0_56388	31	1	31112801	B.05.01_0_55676	19	4	31211050	A.02.02_0_54125	25	1
31112210	E.02.01_0_55297	5	1	31121801	Y.01.07_0_54765	24	4		E.03.02_0_54270	7	3
	F.01.05_0_55833	18	4	31122804	B.04.03_0_52306	9	4	31211060	A.01.02_0_55910	25	2
	F.02.02_0_55891	9	2		B.04.04_0_52338	7	4		A.01.03_0_56388	25	2
	F.03.02_0_53000	2	1	31122805	Y.01.02_0_54575	21	2		A.03.02_0_55953	18	7
31112211	B.04.03_0_52306	15	2		Y.01.03_0_54619	23	2		A.03.03_0_55986	13	7
	B.04.04_0_52338	13	2		Y.01.04_0_54835	3	2		B.04.03_0_52306	21	4
	C.01.01_0_51490	6	2	31132440	B.10.01_0_51339	23	4		F.02.02_0_55891	8	4
	F.03.02_0_53000	6	2	31132562	A.02.02_0_54125	2	2		Y.01.02_0_54575	22	1
	L.01.01_0_53253	3	5	31132566	D.13.01_0_52705	6	1		Y.01.03_0_54619	35	1
	M.01.01_0_53549	3	4	31152057	L.02.01_0_53287	3	2		Y.01.05_0_54662	10	2
	T.01.01_0_53900	7	8		L.02.03_0_53393	3	2		Y.01.07_0_54765	16	4
	T.01.02_0_53928	10	8		L.02.04_0_53447	3	2	31211080	A.01.02_0_55910	9	2
	T.01.03_0_53964	15	8		M.02.01_0_53618	3	2		A.01.03_0_56388	9	2
31112212	A.01.02_0_55910	38	3		M.02.02_0_53689	3	2		A.04.03_0_56022	4	3
	A.01.03_0_56388	44	3	31152060	A.02.02_0_54125	17	1		A.04.04_0_56038	4	3
	C.01.01_0_51490	7	7	31152066	B.10.01_0_51339	12	4		A.04.05_0_56055	4	3
31112213	C.01.01_0_51490	8	1	31152068	A.02.02_0_54125	18	1		A.04.06_0_56068	4	3
31112217	M.01.01_0_53549	5	1	31152081	Y.01.02_0_54575	8	4		A.05.01_0_56089	10	6
31112219	A.01.02_0_55910	10	5		Y.01.03_0_54619	36	4		B.02.02_0_56470	10	6

SPARE PARTS INSTANCE INDEX

Code	Parts Table	Pos.	Q.ty	Code	Parts Table	Pos.	Q.ty	Code	Parts Table	Pos.	Q.ty
31211080	B.02.02_1_76209	10	6	31241081	Y.01.03_0_54619	37	2	31411084	D.03.02_0_52154	27	1
	B.04.03_0_52306	14	4		Y.01.05_0_54662	17	1		F.03.02_0_53000	28	2
	B.04.04_0_52338	12	4	31241100	Y.01.02_0_54575	35	1		Y.01.02_0_54575	14	4
	B.10.01_0_51339	39	2		Y.01.03_0_54619	40	1		Y.01.03_0_54619	24	4
	D.12.01_1_64208	61	6	31241121	M.01.01_0_53549	50	2		Y.01.04_0_54835	7	2
	L.02.01_0_53287	20	6	31241160	Y.01.08_0_54848	8	4		Y.01.05_0_54662	9	8
	L.02.03_0_53393	19	1	31241161	C.01.01_0_51490	40	4		Y.01.08_0_54848	17	4
	L.02.04_0_53447	21	6	31312089	D.12.01_1_64208	60	4	31411090	B.01.02_0_56437	10	1
	M.02.01_0_53618	21	3	31313300	C.03.01_0_51767	7	10		B.02.02_0_56470	24	1
	M.02.02_0_53689	21	3	31313320	C.03.01_0_51767	8	6		B.02.02_1_76209	24	1
31211100	L.02.01_0_53287	14	4	31411053	A.02.02_0_54125	23	1		B.04.03_0_52306	13	4
	L.02.03_0_53393	12	4	31411064	A.01.02_0_55910	14	2		B.04.04_0_52338	11	4
	L.02.04_0_53447	15	4		A.01.03_0_56388	14	2		Y.01.07_0_54765	25	4
	M.02.01_0_53618	15	3		A.04.06_0_56068	14	2	31411104	M.01.01_0_53549	22	3
	M.02.02_0_53689	15	3		E.01.01_0_54232	4	4	31411105	D.03.02_0_52154	23	2
	T.01.03_0_53964	10	2		F.03.02_0_53000	42	1		D.15.02_0_52771	23	3
31211123	C.01.01_0_51490	30	2		Y.01.01_0_54532	38	6		Y.01.02_0_54575	18	1
31211200	T.01.03_0_53964	8.2	1		Y.01.02_0_54575	40	1		Y.01.03_0_54619	39	1
31221161	W.01.02_0_54874	1.5	5		Y.01.03_0_54619	19	1	31411130	D.14.01_0_52728	9	2
31231080	A.02.02_0_54125	20	3		Y.01.05_0_54662	25	4		D.15.02_0_52771	16	2
	B.01.02_0_56437	15	1		Y.01.06_0_54702	58	4	31411150	B.01.02_0_56437	27	2
31231120	D.14.01_0_52728	11	4		Y.01.07_0_54765	19	17		D.15.02_0_52771	26	2
31241060	Y.01.01_0_54532	39	6	31411066	A.03.02_0_55953	4	6	31411170	T.01.01_0_53900	16	2
	Y.01.05_0_54662	26	2		A.03.03_0_55986	15	5		T.01.02_0_53928	19	2
	Y.01.06_0_54702	47	2		B.02.02_0_56470	30	16	31421083	A.01.02_0_55910	18	1
	Y.01.07_0_54765	17	2		B.02.02_1_76209	30	16		A.01.03_0_56388	18	1
	Y.01.09_0_54796	20	4		B.04.03_0_52306	31	4		D.02.01_0_51799	4	6
31241080	B.01.02_0_56437	11	1		B.04.04_0_52338	19	4	31421251	A.01.02_0_55910	20	1
	Y.01.02_0_54575	26	4	31411084	B.01.02_0_56437	6	3		A.01.03_0_56388	20	1
	Y.01.03_0_54619	16	4		B.02.02_0_56470	4	6		B.01.02_0_56437	31	1
	Y.01.04_0_54835	8	2		B.02.02_1_76209	4	6	31510053	B.08.02_0_51286	6	6
	Y.01.05_0_54662	21	5		B.08.02_0_51286	17	4	34110029	T.01.01_0_53900	9.2	2
	Y.01.08_0_54848	18	4		B.08.02_0_51286	24	2		T.01.02_0_53928	12.2	2
31241081	Y.01.02_0_54575	15	2		B.10.01_0_51339	7	4	34110030	M.01.01_0_53549	59	1



SPARE PARTS INSTANCE INDEX

Code	Parts Table	Pos.	Q.ty	Code	Parts Table	Pos.	Q.ty	Code	Parts Table	Pos.	Q.ty
34130010	T.01.01_0_53900	17	2	39118528	W.01.02_0_54874	5	1	52272112	D.07.02_0_52066	28	1
	T.01.02_0_53928	20	2	50970418	D.15.02_0_52771	33	2	52273364	D.07.02_0_52066	29	1
34211054	D.13.01_0_52705	4	1	50973415	M.01.01_0_53549	40	2	52274299	D.07.02_0_52066	26	1
34211064	T.03.03_0_54078	17	1	51170020	C.03.01_0_51767	6	2	52370072	D.10.01_0_52237	6	1
34213018	B.10.01_0_51339	46	1	51172005	D.10.01_0_52237	3	1	52370075	D.10.01_0_52237	5	1
34213054	D.11.01_0_52534	8	1	51173371	M.01.01_0_53549	49	1	52370083	C.01.01_0_51490	24	2
34321066	D.15.02_0_52771	8	2	51173650	C.03.01_0_51767	2	1	52370152	D.13.01_0_52705	2	1
35111047	D.12.01_1_64208	4	1	51173803	C.03.01_0_51767	11	1	52372292	D.12.01_1_64208	38	1
35111052	D.05.01_0_54362	10	1	51173804	C.03.01_0_51767	10	1	52373177	D.15.02_0_52771	13	2
35111062	D.09.01_0_52197	2	2	51174047	M.01.01_0_53549	1	1	52374189	D.07.02_0_52066	2	1
35111080	D.02.01_0_51799	13	4	51174315	L.01.01_0_53253	1	1	52374386	D.07.02_0_52066	3	1
	D.06.01_0_54411	27	1	51174524V	B.10.01_0_51339	25	1	52374641	D.11.01_0_52534	1	1
35121030	D.02.01_0_51799	6	2	51176123	C.03.01_0_51767	1	1	52375215	D.15.02_0_52771	17	1
35121035	D.06.01_0_54411	17	1	51176125	C.01.01_0_51490	2	1	52375896	D.07.02_0_52066	27	1
35121040	D.04.01_0_54324	11	1	51176126	C.01.01_0_51490	1	1	52377913	C.01.01_0_51490	20	1
	D.12.01_1_64208	8	1	51177257	W.01.01_0_54464	17	1	52377914	C.01.01_0_51490	19	1
35211060	B.02.02_0_56470	14	1		W.01.02_0_54874	15	1	52378628	D.07.02_0_52066	36	1
	B.02.02_1_76209	14	1	51179545	D.07.02_0_52066	9	1	52378629	D.07.02_0_52066	30	1
35211070	M.01.01_0_53549	27	2	51179548	B.01.02_0_56437	1	1	52378636	D.07.02_0_52066	4	1
37111254	D.09.01_0_52197	3	1	51179551	A.01.03_0_56388	36	1	52470061	D.09.01_0_52197	7	1
37111255	D.05.01_0_54362	9	1	51270203	D.11.01_0_52534	15	1	52470062	D.09.01_0_52197	6	1
37111354	D.02.01_0_51799	14	1	51270771	D.07.02_0_52066	32	1	52470063	D.01.01_0_52465	17	1
37112501	D.04.01_0_54324	13	1	51274388	B.10.01_0_51339	26	1	52470064	D.01.01_0_52465	16	1
37221320	D.06.01_0_54411	26	2	51274498	B.10.01_0_51339	27	1	52470067	D.01.01_0_52465	20	2
37931413	D.12.01_1_64208	20	1	51275570	D.13.01_0_52705	13	1		D.09.01_0_52197	8	2
38104412	D.02.01_0_51799	23	1	51276772	C.01.01_0_51490	16	1	52470086	D.01.01_0_52465	27	2
38110992	D.03.02_0_52154	13	1	51276773	C.01.01_0_51490	15	1	52470087	D.10.01_0_52237	11	3
38111078	D.13.01_0_52705	17	2	51277912	C.01.01_0_51490	18	2	52470105	D.09.01_0_52197	16	1
38112200	D.13.01_0_52705	3	1	51278573	D.11.01_0_52534	10	1	52470106	D.09.01_0_52197	15	1
	F.01.05_0_55833	6	2	51278623	D.07.02_0_52066	31	1	52470117	D.06.01_0_54411	19	1
38112510	D.02.01_0_51799	8	1	51371035	D.01.01_0_52465	21	1	52470118	D.06.01_0_54411	18	1
38113142	F.01.05_0_55833	25	2		D.09.01_0_52197	11	1	52470298	D.12.01_1_64208	7	1
38116317	D.12.01_1_64208	54	1	52071702	L.01.01_0_53253	13	1	52473655	D.02.01_0_51799	33	1
38118720	D.12.01_1_64208	55	1		M.01.01_0_53549	14	1	52473656	D.04.01_0_54324	24	1



SPARE PARTS INSTANCE INDEX

Code	Parts Table	Pos.	Q.ty	Code	Parts Table	Pos.	Q.ty	Code	Parts Table	Pos.	Q.ty
52473658	D.02.01_0_51799	10	1	53273025	D.02.01_0_51799	24	1	56075161	M.02.02_0_53689	33	1
52473827	D.05.01_0_54362	8	1	53273886	D.12.01_1_64208	33	1	56075183	M.02.01_0_53618	46	1
52473829	D.05.01_0_54362	5	1	53273891	D.12.01_1_64208	56	1		M.02.02_0_53689	46	1
52473830	D.05.01_0_54362	6	1	55072935	B.05.01_0_55676	1	4	56075184	M.02.01_0_53618	47	1
52473831	D.05.01_0_54362	7	1	55170047	D.14.01_0_52728	7	2		M.02.02_0_53689	47	1
52473835	D.06.01_0_54411	9	1	55170053	D.07.02_0_52066	6	3	56075197	M.02.01_0_53618	42	1
52473836	D.06.01_0_54411	12	1	55174162	B.10.01_0_51339	32	1		M.02.02_0_53689	42	1
52473837	D.06.01_0_54411	13	1	55174163	B.10.01_0_51339	31	2	56075230	D.03.02_0_52154	33	1
52473838	D.04.01_0_54324	5	1	55174632	A.03.02_0_55953	21	1	56075251	M.02.01_0_53618	38	1
52473839	D.04.01_0_54324	9	1	55175174	B.04.03_0_52306	12	6		M.02.02_0_53689	38	1
52474251	D.06.01_0_54411	15	1		B.04.04_0_52338	10	6	56076055	D.13.01_0_52705	20	1
52475561	D.12.01_1_64208	48	1		B.05.01_0_55676	22	8	56076928N	B.02.02_0_56470	1.3	1
52475562	D.12.01_1_64208	32	1		B.05.02_0_55703	17	8		B.02.02_1_76209	1.3	1
52475565	D.12.01_1_64208	43	1	55176744	A.01.02_0_55910	26	1	56076929N	B.02.02_0_56470	1.4	1
52475991	D.12.01_1_64208	24	1		A.01.03_0_56388	26	1		B.02.02_1_76209	1.4	1
52475992	D.12.01_1_64208	46	1	55177639	A.03.02_0_55953	23	1	56076930N	B.02.02_0_56470	1.5	1
52475994	D.12.01_1_64208	44/1	1	55179621	A.03.03_0_55986	17	1		B.02.02_1_76209	1.5	1
52475996	D.12.01_1_64208	44/2	1	55179622	A.03.03_0_55986	16	1	56076933H	B.02.02_1_76209	1.2	1
52476062	D.12.01_1_64208	17	1	55271644	B.08.02_0_51286	5	1	56076933N	B.02.02_0_56470	1.2	1
52476065	D.12.01_1_64208	22/1	1	55274441	B.08.02_0_51286	4	1		B.02.02_1_76209	1.6	1
52476066	D.12.01_1_64208	22/2	1	55276745	A.05.01_0_56089	1	1	56077608	A.05.01_0_56089	6	2
52476068	D.12.01_1_64208	16	1	56071768	A.02.02_0_54125	12	4	56077760	M.02.01_0_53618	43	1
52476868	D.12.01_1_64208	3	1	56073059	T.01.01_0_53900	11.1	1		M.02.02_0_53689	43	1
52478565	D.12.01_1_64208	28	1		T.01.02_0_53928	14.1	1	56077773	T.01.01_0_53900	2	4
52478568	D.12.01_1_64208	19	1		T.01.03_0_53964	20.2	1		T.01.02_0_53928	2	4
52478609	D.06.01_0_54411	7	1	56073413	M.01.01_0_53549	44	2	56077910	C.01.01_0_51490	41	4
52478611	D.06.01_0_54411	3	1	56073414	M.01.01_0_53549	41	2	56077977	C.01.01_0_51490	50	2
52478612	D.05.01_0_54362	3	1	56073416	M.01.01_0_53549	45	1	56079442N	B.02.02_0_56470	1.1	1
52478615	D.06.01_0_54411	22	1	56074302	D.03.02_0_52154	25	1		B.02.02_1_76209	1.1	1
52478617	D.06.01_0_54411	25	1	56074313	D.12.01_1_64208	65	1	56170017	D.07.02_0_52066	16	1
52478618	D.04.01_0_54324	17	1	56075036	T.01.03_0_53964	17	2	56170029	D.03.02_0_52154	14	1
52478619	D.04.01_0_54324	18	1	56075143	M.01.01_0_53549	58	1	56170043	D.14.01_0_52728	8	2
52478620	D.04.01_0_54324	20	1	56075145	M.01.01_0_53549	26	1	56170074	D.10.01_0_52237	9	1
52573648	D.02.01_0_51799	19	1	56075161	M.02.01_0_53618	33	1	56170082	C.01.01_0_51490	26	1



SPARE PARTS INSTANCE INDEX

Code	Parts Table	Pos.	Q.ty	Code	Parts Table	Pos.	Q.ty	Code	Parts Table	Pos.	Q.ty
56170213	D.01.01_0_52465	8	1	56171877	A.02.02_0_54125	3	1	56174492	B.10.01_0_51339	2	2
56170214	D.01.01_0_52465	6	1	56171883	A.02.02_0_54125	4	1	56174494	F.03.02_0_53000	45	1
56170221	C.01.01_0_51490	26	1	56171936	D.15.02_0_52771	21	1	56174499	B.10.01_0_51339	19	1
56170222	C.01.01_0_51490	26	1	56171954	B.04.03_0_52306	16	2	56174527	B.04.03_0_52306	22	1
56170223	C.01.01_0_51490	26	1		B.04.04_0_52338	14	2	56174582	B.05.01_0_55676	21	2
56170226	C.01.01_0_51490	37	2		B.05.01_0_55676	23	8	56174635	A.04.03_0_56022	5	1
56170283	L.01.01_0_53253	27	2		B.05.02_0_55703	18	8		A.04.04_0_56038	5	1
	M.01.01_0_53549	37	2	56171996	B.04.03_0_52306	11	4		A.04.05_0_56055	5	1
56170285	L.01.01_0_53253	29	2		B.04.04_0_52338	9	4		A.04.06_0_56068	5	1
	M.01.01_0_53549	39	2	56172172	B.12.01_0_55306	7/2	1		A.05.01_0_56089	5	1
56170286	L.01.01_0_53253	28	2	56172538	C.01.01_0_51490	47	1	56174636	A.04.03_0_56022	2	1
	M.01.01_0_53549	38	2	56172547	F.02.02_0_55891	13	1		A.04.04_0_56038	2	1
56170350	F.01.05_0_55833	13	1	56172749	F.04.01_0_55265	4	1	56174658	B.01.02_0_56437	7	1
56170364	C.02.02_0_51590	9	2	56173110	A.01.02_0_55910	37	3	56174659	B.01.02_0_56437	9	1
56170367	D.15.02_0_52771	9	2		A.01.03_0_56388	43	3	56174661	A.02.02_0_54125	16	1
56170392	T.01.01_0_53900	3	2	56173353	C.01.01_0_51490	26	1	56174665	F.04.01_0_55265	1	1
	T.01.02_0_53928	3	2	56173638	L.01.01_0_53253	8	1	56174692	D.06.01_0_54411	24	1
56170447	D.13.01_0_52705	11	1		M.01.01_0_53549	9	1	56174693	D.06.01_0_54411	24	1
56170704	T.03.01_0_54060	6	1	56173684	D.03.02_0_52154	20	1	56174694	D.06.01_0_54411	24	1
	T.03.02_0_54069	4	1	56174108	D.12.01_1_64208	5	1	56174695	D.06.01_0_54411	24	1
56170705	T.03.01_0_54060	7	1	56174202	L.02.01_0_53287	21	1	56174725	F.01.05_0_55833	15	2
	T.03.02_0_54069	5	1		L.02.03_0_53393	16	1	56174730	B.10.01_0_51339	16	1
56170760	D.06.01_0_54411	24	1		L.02.04_0_53447	22	1	56174773	B.10.01_0_51339	11	1
56170779	L.02.03_0_53393	23	1	56174400	D.03.02_0_52154	38	1	56174835	B.02.02_0_56470	13	1
56170795	D.15.02_0_52771	11	1	56174401	D.03.02_0_52154	39	1		B.02.02_1_76209	13	1
56170796	D.15.02_0_52771	12	1	56174431	D.13.01_0_52705	10	1	56174873	B.01.02_0_56437	24	1
56170964	L.02.01_0_53287	15	4	56174461	B.10.01_0_51339	41	1	56174919	C.01.01_0_51490	45	1
	L.02.03_0_53393	13	4	56174462	B.10.01_0_51339	36	1	56174920	C.01.01_0_51490	46	1
	L.02.04_0_53447	16	4	56174463	B.10.01_0_51339	44	1	56174987	F.02.02_0_55891	4	1
	M.02.01_0_53618	16	3	56174464	B.10.01_0_51339	10	1	56174988	F.02.02_0_55891	5	1
	M.02.02_0_53689	16	3	56174480	F.03.02_0_53000	10	1	56175227	M.02.01_0_53618	22	1
56171172	C.01.01_0_51490	38	2	56174481	F.03.02_0_53000	9	1		M.02.02_0_53689	22	1
56171223	B.12.02_0_55774	13	1	56174485	F.03.02_0_53000	30	1	56175294	F.02.02_0_55891	17	1
56171572	D.12.01_1_64208	1	1	56174486	B.10.01_0_51339	13	1	56175367	D.06.01_0_54411	24	1

SPARE PARTS INSTANCE INDEX

Code	Parts Table	Pos.	Q.ty	Code	Parts Table	Pos.	Q.ty	Code	Parts Table	Pos.	Q.ty
56175388	L.02.03_0_53393	20	1	56177256	B.03.04_0_55657	3	2	56179616	B.02.02_0_56470	7/2	1
56175848	T.01.03_0_53964	5	2	56177264	B.05.01_0_55676	15	1		B.02.02_1_76209	7/2	1
56176127	D.11.01_0_52534	7	1		B.05.02_0_55703	13	1	56179619	A.04.05_0_56055	2	1
56176691	A.03.02_0_55953	15	1	56177265	B.05.01_0_55676	16	1		A.04.06_0_56068	2	1
56176692	B.02.02_0_56470	19	1		B.05.02_0_55703	14	1	56179625	B.01.02_0_56437	4	1
	B.02.02_1_76209	19	1	56177326	B.03.01_0_55581	8	2	56179627	A.03.03_0_55986	10	1
56176693	B.02.02_0_56470	18	1		B.03.02_0_55607	8	2	56179784	A.04.06_0_56068	12	1
	B.02.02_1_76209	18	1		B.03.04_0_55657	10	2	561A0259	A.04.05_0_56055	12	1
56176696	A.05.01_0_56089	8	2	56177416	W.01.02_0_54874	1.1	1	56274487	B.10.01_0_51339	34	2
56176716	A.05.01_0_56089	7	1	56177417	W.01.02_0_54874	1.2	1	56275953	T.01.03_0_53964	8.1	1
56176814	A.05.01_0_56089	9	3	56177443	B.05.01_0_55676	5	1	56276371	C.02.02_0_51590	1.2	1
56176895	B.02.02_0_56470	20	2		B.05.02_0_55703	3	1	56276372	C.02.02_0_51590	1.1	1
	B.02.02_1_76209	20	2	56177444	B.05.01_0_55676	6	1	56278614	D.06.01_0_54411	6	1
56176905	B.03.01_0_55581	12	1		B.05.02_0_55703	4	1	56370018	D.07.02_0_52066	10	6
	B.03.02_0_55607	12	1	56177643	B.01.02_0_56437	17	1	56370037	D.02.01_0_51799	31	1
	B.03.04_0_55657	14	1	56177655	A.02.02_0_54125	21	1	56370038	D.14.01_0_52728	4	2
56176906	B.03.01_0_55581	11	1	56177656	A.02.02_0_54125	19	3	56370076	D.10.01_0_52237	10	6
	B.03.02_0_55607	11	1		B.01.02_0_56437	14	1	56370079	D.10.01_0_52237	7	1
	B.03.04_0_55657	13	1	56177979	A.01.02_0_55910	8	1	56370081	C.01.01_0_51490	4	2
56176907	B.05.01_0_55676	13	1		A.01.03_0_56388	8	1		D.10.01_0_52237	15	1
	B.05.02_0_55703	11	1	56178649	A.01.02_0_55910	35	1		L.02.04_0_53447	42	1
56176908	B.05.01_0_55676	12	1	56178695	F.04.01_0_55265	29	1		M.02.02_0_53689	61	1
	B.05.02_0_55703	10	1	56179443	B.02.02_0_56470	27	1	56370089	D.01.01_0_52465	15	1
56177045	B.03.01_0_55581	25	8		B.02.02_1_76209	27	1		D.06.01_0_54411	28	1
	B.03.02_0_55607	16	8	56179444	B.02.02_0_56470	28	1		D.09.01_0_52197	14	1
	B.03.04_0_55657	18	8		B.02.02_1_76209	28	1	56370127	D.01.01_0_52465	15	1
	B.05.01_0_55676	26	8	56179445	B.03.01_0_55581	10	1		D.06.01_0_54411	28	1
	B.05.02_0_55703	21	8		B.03.02_0_55607	10	1		D.09.01_0_52197	14	1
56177068	C.01.01_0_51490	42	1		B.03.04_0_55657	12	1	56370128	D.01.01_0_52465	15	1
56177183	A.01.02_0_55910	34	1	56179447	B.02.02_0_56470	26	2		D.06.01_0_54411	28	1
	A.01.03_0_56388	34	1		B.02.02_1_76209	26	2		D.09.01_0_52197	14	1
56177252	B.05.01_0_55676	2	2	56179549	B.02.02_0_56470	7/1	1	56370165	D.07.02_0_52066	23	1
56177256	B.03.01_0_55581	3	2		B.02.02_1_76209	7/1	1	56370172	D.07.02_0_52066	19	3
	B.03.02_0_55607	3	2	56179603	A.01.03_0_56388	39	1	56370177	D.07.02_0_52066	22	1



SPARE PARTS INSTANCE INDEX

Code	Parts Table	Pos.	Q.ty	Code	Parts Table	Pos.	Q.ty	Code	Parts Table	Pos.	Q.ty
56370178	D.12.01_1_64208	6	1	56373426	M.01.01_0_53549	42	1	56470797	D.15.02_0_52771	14	2
	D.13.01_0_52705	14	1	56373427	M.01.01_0_53549	42	1	56470987	D.12.01_1_64208	30	1
56370186	D.07.02_0_52066	14	5	56373428	M.01.01_0_53549	42	1	56471036	D.01.01_0_52465	18	1
56370187	D.11.01_0_52534	5	1	56373436	M.01.01_0_53549	53	1		D.09.01_0_52197	10	1
56370209	D.01.01_0_52465	11	1	56373800	C.03.01_0_51767	12	2	56473818	D.04.01_0_54324	6	1
56370210	D.01.01_0_52465	11	1	56373840	D.06.01_0_54411	1	1	56473890	D.12.01_1_64208	52	1
56370211	D.01.01_0_52465	11	1	56374430	D.13.01_0_52705	5	1	56474713	D.12.01_1_64208	52	1
56370212	D.01.01_0_52465	11	1	56374460	B.10.01_0_51339	45	1	56474714	D.12.01_1_64208	52	1
56370267	D.02.01_0_51799	26	1	56374574	M.01.01_0_53549	51	1	56475516	D.12.01_1_64208	50	1
56370282	L.01.01_0_53253	22	4	56375008	T.03.02_0_54069	2	4	56475517	D.12.01_1_64208	52	1
	M.01.01_0_53549	32	4	56375146	M.01.01_0_53549	25	1	56475518	D.12.01_1_64208	52	1
56370287	L.01.01_0_53253	24	2	56375147	M.01.01_0_53549	21	1	56475568	D.12.01_1_64208	23	1
	M.01.01_0_53549	34	2	56375436	B.10.01_0_51339	35	1	56475844	D.12.01_1_64208	53	1
56370288	L.01.01_0_53253	17	2	56375571	D.13.01_0_52705	15	1	56477227	C.02.02_0_51590	6	1
	M.01.01_0_53549	18	1	56375954	T.01.03_0_53964	6	4	56478567	D.12.01_1_64208	25	1
56370486	C.01.01_0_51490	32	1	56376256	D.11.01_0_52534	9	1	56570016	C.02.02_0_51590	1.3	2
56370539	W.01.01_0_54464	16	4	56377097	C.01.01_0_51490	21	4		D.07.02_0_52066	17	1
	W.01.02_0_54874	14	4	56377915	C.01.01_0_51490	39	2		L.01.01_0_53253	5	2
56370582	D.11.01_0_52534	14	1	56378566	D.12.01_1_64208	26	2		M.01.01_0_53549	6	2
56370583	D.11.01_0_52534	13	1	56378616	D.06.01_0_54411	23	1	56570125	D.07.02_0_52066	39	2
56370696	T.03.01_0_54060	4	4	56378622	D.07.02_0_52066	24	1	56570284	L.01.01_0_53253	15	1
56370830	D.06.01_0_54411	28	1	56378630	D.07.02_0_52066	25	1		M.01.01_0_53549	16	1
	D.09.01_0_52197	14	1	56379482	C.01.01_0_51490	29	2	56570506	M.01.01_0_53549	20	1
56371037	D.01.01_0_52465	19	1	56470002	D.02.01_0_51799	17	1	56573662	D.02.01_0_51799	5	1
	D.09.01_0_52197	9	1	56470110	D.04.01_0_54324	3	1	56575035	T.01.03_0_53964	1	2
56371065	D.07.02_0_52066	21	1	56470111	D.04.01_0_54324	14	1	56577771	T.01.01_0_53900	1	2
56371101	T.01.02_0_53928	4.3	1	56470137	D.06.01_0_54411	11	1		T.01.02_0_53928	1	2
	T.01.02_0_53928	5.3	1	56470138	D.06.01_0_54411	10	3	56578610	D.06.01_0_54411	4	1
	T.01.02_0_53928	13.3	1	56470139	D.04.01_0_54324	10	1	57174915	A.05.01_0_56089	1.3	1
56371162	D.02.01_0_51799	16	1	56470215	D.01.01_0_52465	4	1	57275032	B.04.03_0_52306	17	1
56371721	D.15.02_0_52771	18	1	56470216	D.01.01_0_52465	26	2	57275033	B.04.03_0_52306	18	1
56372282	D.12.01_1_64208	41	1	56470231	D.14.01_0_52728	5	2	57371049	D.02.01_0_51799	7	1
56372536	D.01.01_0_52465	3	1	56470299	D.13.01_0_52705	1	1	57371900	A.05.01_0_56089	2	1
56373194	D.03.02_0_52154	30	2	56470365	D.15.02_0_52771	22	3	57372341	A.04.05_0_56055	11	1

SPARE PARTS INSTANCE INDEX

Code	Parts Table	Pos.	Q.ty	Code	Parts Table	Pos.	Q.ty	Code	Parts Table	Pos.	Q.ty
57374490	B.10.01_0_51339	4	2	57376677	B.03.02_0_55607	4	1	58070741	D.13.01_0_52705	18	2
57374491	B.10.01_0_51339	5	1	57376678	B.03.01_0_55581	5	1	58070790	D.03.02_0_52154	17	3
57374501	B.10.01_0_51339	29	1		B.03.02_0_55607	5	1		D.15.02_0_52771	6	4
57374522	B.03.04_0_55657	4	1	57376899	B.02.02_0_56470	12/2	1	58071313	E.02.01_0_55297	3	1
57374523	B.03.04_0_55657	5	1	57377317	A.04.04_0_56038	8	1	58071322	T.01.01_0_53900	4	2
57374533	B.04.03_0_52306	27	1	57379438	B.02.02_0_56470	32	1	58071755	T.01.01_0_53900	10.1	2
	B.04.04_0_52338	15	1		B.02.02_1_76209	32	1		T.01.02_0_53928	13.1	2
57374536	B.04.03_0_52306	28	1	573A0226	A.03.02_0_55953	5	1		T.01.03_0_53964	19.1	2
	B.04.04_0_52338	16	1	573A1473V	B.02.02_1_76209	12/1	1	58071864	T.01.02_0_53928	4.1	1
57374545	B.10.01_0_51339	24	2	573A1474V	B.02.02_1_76209	12/2	1		T.01.02_0_53928	5.1	1
57374553	B.08.02_0_51286	21	1	58025869	M.01.01_0_53549	42	1	58072074	A.02.02_0_54125	9	1
57374590	B.04.03_0_52306	4	1	58048002	A.02.02_0_54125	26	3	58072075	A.02.02_0_54125	10	1
57374591	B.04.03_0_52306	3	1		B.01.02_0_56437	12	1	58072081	E.02.01_0_55297	4	1
57375192	M.02.01_0_53618	39	1	58070071	D.10.01_0_52237	4	1	58072389	D.12.01_1_64208	39	1
	M.02.02_0_53689	39	1	58070164	D.07.02_0_52066	18	3	58072398	D.12.01_1_64208	47	4
57375461	A.03.03_0_55986	2	1	58070168	D.07.02_0_52066	20	3	58072399	D.12.01_1_64208	42	1
57376621	B.03.01_0_55581	6	1	58070169	D.07.02_0_52066	8	3	58072509	B.07.01_0_56267	32	1
	B.03.02_0_55607	6	1	58070198	D.11.01_0_52534	12	1	58072510	B.07.01_0_56267	35	1
	B.03.04_0_55657	8	1	58070205	D.11.01_0_52534	17	1	58072511	B.07.01_0_56267	34	1
57376622	B.03.01_0_55581	7	1	58070262	D.02.01_0_51799	25	1	58072517	B.07.01_0_56267	33	1
	B.03.02_0_55607	7	1	58070268	D.02.01_0_51799	27	1	58072518	B.07.01_0_56267	25/1	1
	B.03.04_0_55657	9	1	58070366	D.14.01_0_52728	10	2	58072574	B.07.01_0_56267	25/2	1
57376623	B.05.01_0_55676	9	1	58070390	B.10.01_0_51339	43	1	58072575	B.07.01_0_56267	26	1
	B.05.02_0_55703	7	1	58070480	T.01.01_0_53900	9.1	2	58072737	B.07.01_0_56267	30	1
57376624	B.05.01_0_55676	10	1		T.01.02_0_53928	12.1	2	58073411	M.01.01_0_53549	43	2
	B.05.02_0_55703	8	1	58070482	T.01.01_0_53900	10.3	1	58073889	D.12.01_1_64208	51	1
57376670	B.02.02_0_56470	12/1	1		T.01.03_0_53964	19.3	2	58074092	D.12.01_1_64208	40	1
57376671	B.05.01_0_55676	7	1	58070513	L.02.01_0_53287	33	1	58074220	B.07.01_0_56267	13	1
	B.05.02_0_55703	5	1		L.02.04_0_53447	34	1	58074221	B.07.01_0_56267	12	1
57376672	B.05.01_0_55676	8	1		M.02.01_0_53618	54	1	58074222	B.07.01_0_56267	14	1
	B.05.02_0_55703	6	1		M.02.02_0_53689	54	1	58074488	B.10.01_0_51339	37	1
57376675	B.03.04_0_55657	6	1	58070519	L.02.03_0_53393	40	1	58074558	D.03.02_0_52154	9	1
57376676	B.03.04_0_55657	7	1	58070690	A.05.01_0_56089	19	1	58074733	F.03.02_0_53000	33	2
57376677	B.03.01_0_55581	4	1	58070741	D.07.02_0_52066	37	5	58074734	F.03.02_0_53000	32	2



SPARE PARTS INSTANCE INDEX

Code	Parts Table	Pos.	Q.ty	Code	Parts Table	Pos.	Q.ty	Code	Parts Table	Pos.	Q.ty
58074736	F.04.01_0_55265	27	1	58075159	M.02.02_0_53689	27	1	58077061	E.03.02_0_54270	10	1
58074740	F.03.02_0_53000	17	1	58075160	M.02.01_0_53618	50	1	58077062	E.03.02_0_54270	11	1
58074777	B.07.01_0_56267	10	1		M.02.02_0_53689	50	1	58077132	A.03.02_0_55953	31	1
58074786	B.07.01_0_56267	5	1	58075247	L.02.01_0_53287	6	1	58077198	T.01.02_0_53928	13	2
58074787	B.07.01_0_56267	6	1		L.02.03_0_53393	6	1	58077202	T.01.01_0_53900	18	2
58074791	B.07.01_0_56267	4	2		L.02.04_0_53447	6	1	58077205	T.01.01_0_53900	10	2
58074831	B.01.02_0_56437	16	1		M.02.01_0_53618	6	1	58077226	C.02.02_0_51590	5	1
58074836	F.03.02_0_53000	11	1		M.02.02_0_53689	6	1	58077305	E.03.02_0_54270	16	1
58074839	B.07.01_0_56267	15	1	58075248	F.03.02_0_53000	37	1	58077325	T.01.03_0_53964	19	2
58074841	B.07.01_0_56267	8	1	58075250	B.07.01_0_56267	22	1	58077413	F.03.02_0_53000	29	1
58074846	B.07.01_0_56267	16	1	58075521	B.07.01_0_56267	19	1	58077579	B.07.01_0_56267	3/3	2
58074880	B.07.01_0_56267	11	1	58075522	B.07.01_0_56267	20	1	58077580	B.07.01_0_56267	3/2	2
58074891	F.03.02_0_53000	16	1	58075603	L.01.01_0_53253	7	1	58077581	B.07.01_0_56267	3/1	2
58074895	A.05.01_0_56089	21	1		M.01.01_0_53549	8	1	58077601	B.08.02_0_51286	7/1	1
58074904	E.01.01_0_54232	1	1	58075873	A.03.02_0_55953	29	1		E.03.02_0_54270	1/1	1
58074958	M.02.01_0_53618	55	5		A.03.03_0_55986	31	1	58077602	B.08.02_0_51286	7/2	1
	M.02.02_0_53689	55	6	58075983	T.01.01_0_53900	11	1		E.03.02_0_54270	1/2	1
58075021	B.07.01_0_56267	23	1	58075987	T.01.02_0_53928	14	1	58077654	B.07.01_0_56267	27	1
58075022	B.07.01_0_56267	17	1		T.01.03_0_53964	20	1	58078631	A.02.02_0_54125	8	1
58075024	B.07.01_0_56267	18	1	58076077	B.07.01_0_56267	24	1	58078677	A.03.02_0_55953	28	1
58075074	L.02.03_0_53393	35	1	58076081	T.01.02_0_53928	5.2	1		A.03.03_0_55986	29	1
58075080	L.02.01_0_53287	34	3	58076082	T.01.02_0_53928	4.2	1	58079118	C.02.02_0_51590	1.4	1
	L.02.03_0_53393	41	2	58076083	T.01.02_0_53928	5	1	58079392	E.03.02_0_54270	3	1
	L.02.04_0_53447	35	4	58076084	T.01.02_0_53928	4	1	58079393	E.03.02_0_54270	4	1
58075082	L.02.01_0_53287	41	1	58076333	F.02.02_0_55891	15	1	58079394	E.01.01_0_54232	6	1
	L.02.03_0_53393	48	1	58076334	F.02.02_0_55891	16	1	58079395	E.01.01_0_54232	5	1
	M.02.01_0_53618	61	1	58076354	T.01.01_0_53900	9	2	58079433	F.03.02_0_53000	15	1
58075087	L.02.01_0_53287	35	2	58076356	T.01.02_0_53928	12	2	58079434	F.03.02_0_53000	50	1
	L.02.03_0_53393	42	2	58076752	A.05.01_0_56089	11	3	58079435	F.03.02_0_53000	49	1
	L.02.04_0_53447	36	2	58076753	A.04.03_0_56022	6	1	58079466	B.07.01_0_56267	7	1
58075135	L.02.01_0_53287	29	1	58076984	B.02.02_1_76209	16	1	58079620	A.03.03_0_55986	19	1
	L.02.04_0_53447	30	1	58076984V	B.02.02_0_56470	16	1	58079631	A.04.05_0_56055	6	1
58075152	B.07.01_0_56267	21	1	58076987	B.02.02_1_76209	17	1	58079659	A.04.05_0_56055	8	1
58075159	M.02.01_0_53618	27	1	58076987V	B.02.02_0_56470	17	1		A.04.06_0_56068	9	1

SPARE PARTS INSTANCE INDEX

Code	Parts Table	Pos.	Q.ty	Code	Parts Table	Pos.	Q.ty	Code	Parts Table	Pos.	Q.ty
58079703	A.01.03_0_56388	40	1	58170291	M.01.01_0_53549	17	2	58171028	A.04.04_0_56038	1.3	1
	A.03.03_0_55986	18	1	58170306	D.02.01_0_51799	18	2		A.04.06_0_56068	1.3	1
58079755	E.02.01_0_55297	7	1	58170344	B.08.02_0_51286	19	1	58171069	A.04.04_0_56038	6	1
58079781	A.04.03_0_56022	8	1	58170345	B.08.02_0_51286	20	1		A.04.06_0_56068	6	1
	A.04.04_0_56038	9	1	58170376	B.08.02_0_51286	15	2	58171139	D.06.01_0_54411	8	2
58090333	Y.01.02_0_54575	37	2	58170436	B.02.02_0_56470	3	1	58171199	A.01.02_0_55910	1.1	1
	Y.01.03_0_54619	38	2		B.02.02_1_76209	3	1		A.01.03_0_56388	1.1	1
	Y.01.05_0_54662	7	4	58170443	D.02.01_0_51799	21	1	58171200	A.01.02_0_55910	1.2	1
58092972	B.02.02_0_56470	2	1	58170449	T.01.01_0_53900	14	1		A.01.03_0_56388	1.2	1
	B.02.02_1_76209	33	1		T.01.02_0_53928	17	1	58171536	L.01.01_0_53253	21.2	1
580A0117	E.02.01_0_55297	9	1		T.01.03_0_53964	23	1		M.01.01_0_53549	31.2	1
580A0178	B.07.01_0_56267	1	1	58170453	B.08.02_0_51286	7.1	1	58171537	L.01.01_0_53253	21.1	1
580A0179	B.07.01_0_56267	2	1		E.03.02_0_54270	1.1	1		M.01.01_0_53549	31.1	1
580A0601	B.07.01_0_56267	9	1	58170512	L.02.01_0_53287	30	1	58171739	F.03.02_0_53000	36.1	1
58170021	C.03.01_0_51767	4	1		L.02.04_0_53447	31	1	58171901	A.05.01_0_56089	22	1
58170026	D.15.02_0_52771	2	4		M.02.01_0_53618	51	1		E.03.02_0_54270	12	4
58170034	D.02.01_0_51799	28	6		M.02.02_0_53689	51	1	58171925	I.01.01_0_53233	10	1
58170039	D.01.01_0_52465	23	4	58170571	E.03.02_0_54270	4.2	1	58172011	I.01.01_0_53233	1	1
58170045	D.14.01_0_52728	1	2	58170572	E.03.02_0_54270	4.1	1		L.02.01_0_53287	12	2
58170054	D.07.02_0_52066	7	3	58170597	L.02.03_0_53393	31	1		L.02.04_0_53447	12	1
58170069	C.01.01_0_51490	33	1	58170693	F.04.01_0_55265	20/2	1		M.02.01_0_53618	14	1
58170070	D.10.01_0_52237	12	3		L.02.03_0_53393	32	2	58172012	I.01.01_0_53233	3	1
58170077	C.01.01_0_51490	27	4	58170703	D.14.01_0_52728	2	6		L.02.01_0_53287	13/1	2
58170107	D.01.01_0_52465	25	2	58170968	B.03.01_0_55581	23	1		L.02.04_0_53447	13/1	2
58170130	D.04.01_0_54324	23	1	58171000	T.01.02_0_53928	6	2		L.02.04_0_53447	14	1
	D.12.01_1_64208	10	1		T.01.03_0_53964	11	2		M.02.01_0_53618	13/1	2
58170181	W.01.01_0_54464	1.1	1	58171019	D.14.01_0_52728	3	2		M.02.02_0_53689	13/1	2
58170195	D.11.01_0_52534	6	2	58171021	T.01.01_0_53900	4.2	1		M.02.02_0_53689	14/1	1
58170238	A.05.01_0_56089	3	1		T.01.02_0_53928	7	2	58172013	I.01.01_0_53233	4	1
58170245	L.01.01_0_53253	21	2		T.01.03_0_53964	12/1	2		L.02.01_0_53287	13/2	2
	M.01.01_0_53549	31	2	58171027	A.04.03_0_56022	1.4	1		L.02.04_0_53447	13/2	2
58170251	L.02.03_0_53393	24	1		A.04.04_0_56038	1.4	1		M.02.01_0_53618	13/2	2
58170279	D.04.01_0_54324	8	1		A.04.06_0_56068	1.4	1		M.02.02_0_53689	13/2	2
58170291	L.01.01_0_53253	16	2	58171028	A.04.03_0_56022	1.3	1		M.02.02_0_53689	14/2	1

SPARE PARTS INSTANCE INDEX

Code	Parts Table	Pos.	Q.ty	Code	Parts Table	Pos.	Q.ty	Code	Parts Table	Pos.	Q.ty
58172014	I.01.01_0_53233	5	1	58172463	F.04.01_0_55265	7	2	58174732	F.04.01_0_55265	25	1
	I.01.01_0_53233	11.2	1	58172489	I.01.01_0_53233	8	1	58174928	B.08.02_0_51286	14	1
	L.02.01_0_53287	13/3	2		L.02.01_0_53287	17	1	58174974	I.01.01_0_53233	11	1
	L.02.04_0_53447	13/3	2		L.02.04_0_53447	18	1		L.02.03_0_53393	11	1
	M.02.01_0_53618	13/3	2	58172707	I.01.01_0_53233	2	1	58175014	F.01.05_0_55833	14	2
	M.02.02_0_53689	13/3	2	58173030	D.03.02_0_52154	5	1	58175083	L.02.01_0_53287	43	1
	M.02.02_0_53689	14/3	1	58173072	T.01.02_0_53928	14.2	1		L.02.03_0_53393	50	1
58172015	L.02.01_0_53287	10	1		T.01.03_0_53964	20.1	1		M.02.01_0_53618	63	1
	L.02.03_0_53393	10	1	58173116	B.08.02_0_51286	19.1	2	58175121	A.01.02_0_55910	33	1
	L.02.04_0_53447	10	1		B.08.02_0_51286	20.1	2		A.01.03_0_56388	33	1
58172016	I.01.01_0_53233	12	1	58173119	B.08.02_0_51286	19.2	2	58175122	A.04.03_0_56022	1.5	1
58172017	I.01.01_0_53233	13	1		B.08.02_0_51286	20.2	2		A.04.04_0_56038	1.5	1
	M.02.01_0_53618	20	3	58173120	B.08.02_0_51286	19.3	1		A.04.06_0_56068	1.5	1
	M.02.02_0_53689	20	3	58173121	B.08.02_0_51286	20.3	1	58175187	M.02.01_0_53618	45	2
58172018	I.01.01_0_53233	14	1	58173195	D.03.02_0_52154	16.1	2		M.02.02_0_53689	45	2
	L.02.01_0_53287	19	3		D.03.02_0_52154	28.1	2	58175188	M.02.01_0_53618	44/2	1
	L.02.04_0_53447	20	3		D.03.02_0_52154	34.1	4		M.02.02_0_53689	44/2	1
58172105	D.02.01_0_51799	30	5	58173361	I.01.01_0_53233	9	1	58175191	I.01.01_0_53233	15	1
58172106	D.02.01_0_51799	29	5		M.02.01_0_53618	18	1		M.02.01_0_53618	32	1
58172240	I.01.01_0_53233	6	1		M.02.02_0_53689	18	1		M.02.02_0_53689	32	1
	I.01.01_0_53233	11.3	1	58173399	F.04.01_0_55265	10	1	58175209	C.01.01_0_51490	44	1
58172267	B.08.02_0_51286	7.2	1	58173437	B.12.02_0_55774	4	1	58175211	M.02.01_0_53618	44/1	1
	E.03.02_0_54270	1.2	1	58173505	F.01.05_0_55833	10	1		M.02.02_0_53689	44/1	1
58172304	I.01.01_0_53233	7	1	58173772	B.07.01_0_56267	28	1	58175393	W.01.01_0_54464	15.1	1
	L.02.01_0_53287	11	1	58173773	B.07.01_0_56267	29	1	58175630	W.01.01_0_54464	10.1	1
	L.02.04_0_53447	11	1	58174192	D.07.02_0_52066	1	3	58175676	F.04.01_0_55265	17	1
	M.02.01_0_53618	12	1	58174417	D.03.02_0_52154	37	1	58175677	F.04.01_0_55265	15	1
	M.02.02_0_53689	12	1	58174547	F.03.02_0_53000	22	1	58175700	E.03.02_0_54270	2	1
58172307	L.02.03_0_53393	38	2	58174555	B.10.01_0_51339	9	1	58175769	B.08.02_0_51286	12	1
58172400	D.02.01_0_51799	22	1	58174581	L.01.01_0_53253	11	1	58175770	B.08.02_0_51286	13	1
	D.12.01_1_64208	34	1		M.01.01_0_53549	12	1	58175773	A.01.02_0_55910	21	1
58172402	D.12.01_1_64208	35	1	58174608	A.03.02_0_55953	8	2		A.01.03_0_56388	21	1
58172447	D.12.01_1_64208	36	8	58174644	B.10.01_0_51339	38	2	58175965	W.01.01_0_54464	1.2	1
58172448	D.12.01_1_64208	37	8	58174710	F.03.02_0_53000	36	2	58175966	W.01.01_0_54464	10.2	1

SPARE PARTS INSTANCE INDEX

Code	Parts Table	Pos.	Q.ty	Code	Parts Table	Pos.	Q.ty	Code	Parts Table	Pos.	Q.ty
58175967	W.01.01_0_54464	15.2	1	58177867	B.08.02_0_51286	11	1	59070225	C.01.01_0_51490	31	1
58176323	W.01.01_0_54464	6.1	1	58177978	T.01.03_0_53964	12/2	2	59070289	L.01.01_0_53253	18	1
	W.01.02_0_54874	6.1	1	58178571	W.01.02_0_54874	11/1	1		M.01.01_0_53549	28	1
58176324	W.01.01_0_54464	6.2	1	58178572	W.01.02_0_54874	11/2	1	59070290	L.01.01_0_53253	19	1
	W.01.02_0_54874	6.2	1	58178585	A.03.02_0_55953	1	1		M.01.01_0_53549	29	1
58176336	F.01.05_0_55833	21	2	58178638	A.03.02_0_55953	12	1	59070323	D.15.02_0_52771	5	1
58176337	F.01.05_0_55833	11	1	58178646	A.01.02_0_55910	2	1	59070325	D.15.02_0_52771	1	1
58176396	E.03.02_0_54270	13	2	58178715	A.04.06_0_56068	8	1	59070333	D.15.02_0_52771	7	1
58176406	E.01.01_0_54232	7	2	58178811	D.01.01_0_52465	1/2	1	59070398	D.15.02_0_52771	3	2
	E.03.02_0_54270	14	2	58178873	D.01.01_0_52465	1/1	1	59070448	T.01.01_0_53900	15	1
58176755	A.04.03_0_56022	1	1	58178954	F.03.02_0_53000	1	1		T.01.02_0_53928	18	1
58176898	A.04.04_0_56038	1	1	58178960	D.15.02_0_52771	20	1		T.01.03_0_53964	24	1
58177182	F.02.02_0_55891	3	1	58179010	E.01.01_0_54232	2	2	59070591	B.03.01_0_55581	22	1
58177330	B.05.01_0_55676	25	2	58179335	A.03.03_0_55986	1	1	59070592	B.05.01_0_55676	17	1
	B.05.02_0_55703	20	2	58179413	E.01.01_0_54232	8	2		B.05.02_0_55703	15	1
58177400	A.01.02_0_55910	27	1	58179414	B.03.01_0_55581	9	2	59070702	T.03.01_0_54060	1	1
	A.01.03_0_56388	27	1		B.03.02_0_55607	9	2	59071171	C.01.01_0_51490	34	2
58177653	D.02.01_0_51799	2	1		B.03.04_0_55657	11	2	59071241	B.12.01_0_55306	13	1
58177723	B.12.01_0_55306	1	1	58179463	F.01.05_0_55833	1	1	59071966	B.05.01_0_55676	24	1
58177732	T.03.03_0_54078	2.1	1		F.02.02_0_55891	1	1	59072057	L.02.01_0_53287	18	2
58177736	T.03.03_0_54078	5	1	58179599	A.03.03_0_55986	32	1		L.02.03_0_53393	15	2
58177737	T.03.03_0_54078	6	2	58179618	A.04.05_0_56055	1	1		L.02.04_0_53447	19	2
58177738	T.03.03_0_54078	7	2	58179623	A.01.02_0_55910	30	1		M.02.01_0_53618	19	2
58177739	T.03.03_0_54078	8	6		A.01.03_0_56388	30	1		M.02.02_0_53689	19	2
58177740	T.03.03_0_54078	9	2	58179704	A.01.03_0_56388	2	1	59073184	A.04.04_0_56038	7	1
58177741	T.03.03_0_54078	11	1	58179780	A.04.06_0_56068	1	1		A.04.06_0_56068	7	1
58177742	T.03.03_0_54078	12	2	58179783	A.03.03_0_55986	5	2	59073242	D.15.02_0_52771	31	2
58177743	T.03.03_0_54078	14	1	58192377	B.12.01_0_55306	3	1	59073674	B.04.03_0_52306	6	1
58177744	T.03.03_0_54078	15	1		B.12.02_0_55774	14	1		B.04.04_0_52338	4	1
58177745	T.03.03_0_54078	18	1	59070012	C.01.01_0_51490	14	1	59073681	A.02.02_0_54125	11/2	1
58177746	T.03.03_0_54078	19	1	59070051	D.15.02_0_52771	35	1	59073685	D.03.02_0_52154	22	1
58177754	D.03.02_0_52154	4	1	59070065	D.01.01_0_52465	22	1	59073725	D.03.02_0_52154	16	1
58177761	M.02.01_0_53618	41	1		D.09.01_0_52197	12	1	59074081	D.03.02_0_52154	34	1
	M.02.02_0_53689	41	1	59070094	D.10.01_0_52237	13	1	59074206	D.03.02_0_52154	28	1

SPARE PARTS INSTANCE INDEX

Code	Parts Table	Pos.	Q.ty	Code	Parts Table	Pos.	Q.ty	Code	Parts Table	Pos.	Q.ty
59074213	A.02.02_0_54125	15/2	1	59074782	B.04.03_0_52306	23	1	59076085	L.01.01_0_53253	12	1
59074332	F.03.02_0_53000	5	1	59074993	D.12.01_1_64208	64	1		M.01.01_0_53549	13	1
59074346	A.02.02_0_54125	11/1	1	59075012	T.03.02_0_54069	1.1	1	59076100	T.01.03_0_53964	8	2
59074347	A.02.02_0_54125	15/1	1	59075064	L.02.03_0_53393	26	1	59076211	F.01.05_0_55833	4	1
59074351	B.04.03_0_52306	5	1	59075137	M.01.01_0_53549	60	1	59076212	F.01.05_0_55833	20	2
	B.04.04_0_52338	3	1	59075140	M.01.01_0_53549	55	1	59076213	F.01.05_0_55833	12	1
59074385	B.05.01_0_55676	20	2	59075148	M.01.01_0_53549	19	1	59076613	B.03.01_0_55581	14	1
	B.05.02_0_55703	16	2	59075171	M.02.01_0_53618	49	1	59076615	B.03.01_0_55581	13	1
59074403	B.10.01_0_51339	22	1		M.02.02_0_53689	49	1	59076641V	B.03.04_0_55657	2	1
59074459	D.15.02_0_52771	28	1	59075178	M.01.01_0_53549	61	1	59076645V	B.03.04_0_55657	1	1
59074468	B.10.01_0_51339	1	1	59075216	M.02.01_0_53618	7	1	59076649V	B.03.01_0_55581	1	1
59074477V	B.10.01_0_51339	21	1		M.02.02_0_53689	7	1		B.03.02_0_55607	1	1
59074482	F.03.02_0_53000	25	1	59075217	M.02.01_0_53618	24	1	59076653V	B.03.01_0_55581	2	1
59074525V	B.10.01_0_51339	33	1		M.02.02_0_53689	24	1		B.03.02_0_55607	2	1
59074531V	B.10.01_0_51339	18	1	59075224	F.03.02_0_53000	38	1	59076679	A.05.01_0_56089	23/1	1
59074546	F.03.02_0_53000	23	1	59075225	F.03.02_0_53000	39	1	59076685	A.05.01_0_56089	12	1
59074561	D.15.02_0_52771	34	1	59075253	M.02.01_0_53618	37	1	59076686	A.05.01_0_56089	26/1	1
59074596	B.04.03_0_52306	2	1		M.02.02_0_53689	37	1		B.02.02_0_56470	6/1	1
	B.04.04_0_52338	2	1	59075283	B.01.02_0_56437	28	1		B.02.02_1_76209	6/1	1
59074597	B.04.03_0_52306	1	1	59075359	L.02.01_0_53287	27	1	59076688	A.01.02_0_55910	16	1
	B.04.04_0_52338	1	1		L.02.04_0_53447	28	1		A.01.03_0_56388	16	1
59074623	D.03.02_0_52154	12	1	59075389	L.02.03_0_53393	27	1	59076690	B.03.01_0_55581	17	2
59074662	B.02.02_0_56470	15	6	59075390	L.02.03_0_53393	30	1	59076780	B.05.01_0_55676	14	1
	B.02.02_1_76209	15	6	59075572	D.13.01_0_52705	21	1		B.05.02_0_55703	12	1
59074701	D.15.02_0_52771	38	1	59075678	F.04.01_0_55265	12	1	59076870	A.05.01_0_56089	16	1
59074702	D.15.02_0_52771	39	1	59075679	F.04.01_0_55265	28	1	59077055	B.03.04_0_55657	15	1
59074744	F.04.01_0_55265	19	1	59075789	T.01.01_0_53900	5	1	59077056	B.03.04_0_55657	16	1
59074748	F.04.01_0_55265	23	1		T.01.02_0_53928	8	1	59077057	B.03.02_0_55607	13	1
59074749	F.04.01_0_55265	24	1	59075790	T.01.01_0_53900	6	1	59077058	B.03.02_0_55607	14	1
59074754	L.02.01_0_53287	7	1		T.01.02_0_53928	9	1	59077242	E.03.02_0_54270	17	1
	L.02.03_0_53393	7	1	59075813	C.02.02_0_51590	8	1	59077318	A.01.02_0_55910	12	1
	L.02.04_0_53447	7	1	59075917	F.04.01_0_55265	22	1		A.01.03_0_56388	12	1
59074759	L.02.01_0_53287	23	1	59075979	M.02.01_0_53618	28	1	59077359	B.05.01_0_55676	18	1
	L.02.04_0_53447	24	1		M.02.02_0_53689	28	1	59077382	T.01.03_0_53964	14	1

SPARE PARTS INSTANCE INDEX

Code	Parts Table	Pos.	Q.ty	Code	Parts Table	Pos.	Q.ty	Code	Parts Table	Pos.	Q.ty
59077383	T.01.03_0_53964	13	1	59273925	W.01.01_0_54464	1/2	1	59900030	Y.01.01_0_54532	29	2
59077412	B.03.01_0_55581	16	1	59275632	W.01.01_0_54464	10/1	1	59900034	Y.01.01_0_54532	33	2
59077455V	B.05.01_0_55676	3	1	59275633	W.01.01_0_54464	10/2	1	59900035	Y.01.01_0_54532	37	4
	B.05.02_0_55703	1	1	59276001	C.02.02_0_51590	1	1	59900036	Y.01.06_0_54702	15	2
59077463V	B.05.01_0_55676	4	1	59276320	W.01.01_0_54464	6/1	1		Y.01.09_0_54796	13	16
	B.05.02_0_55703	2	1	59276321	W.01.01_0_54464	6/2	1	59900037	Y.01.01_0_54532	41	5
59077778	F.01.05_0_55833	23	1	59276964	W.01.02_0_54874	6/2	1		Y.01.02_0_54575	34	1
59077779	F.01.05_0_55833	24	1	59276965	W.01.02_0_54874	6/1	1	59900038	Y.01.07_0_54765	1a	1
59077933	A.05.01_0_56089	13	1	59277414	W.01.02_0_54874	1/2	1	59900039	Y.01.07_0_54765	1b	1
59077935	A.05.01_0_56089	17	1	59277415	W.01.02_0_54874	1/1	1	59900041	Y.01.06_0_54702	52	1
59078588	L.01.01_0_53253	30	1	59277990	W.01.01_0_54464	15/1	1	59900042	Y.01.07_0_54765	4a	1
	T.01.01_0_53900	12	1	59277991	W.01.01_0_54464	15/2	1	59900043	Y.01.07_0_54765	4b	1
59078865	D.13.01_0_52705	22	1	59278554	D.03.02_0_52154	1	1	59900046	Y.01.07_0_54765	6	1
59079167	A.01.02_0_55910	6	1	59278555	D.03.02_0_52154	2	1	59900047	Y.01.07_0_54765	7	1
59079186	T.01.03_0_53964	2	1	59375009	T.03.02_0_54069	1	1	59900048	Y.01.07_0_54765	8	1
59079187	T.01.03_0_53964	3	1	59376519	D.01.01_0_52465	12	1	59900049	Y.01.07_0_54765	9	4
59079478	F.02.02_0_55891	12	1	59377433	D.12.01_1_64208	57	1	59900050	Y.01.07_0_54765	10	1
59079479	F.01.05_0_55833	3	1	59377730	T.03.03_0_54078	2	1	59900051	Y.01.06_0_54702	44	2
59079615	A.05.01_0_56089	23/2	1	59377734	T.03.03_0_54078	1	1	59900052	Y.01.06_0_54702	29	2
59079617	B.01.02_0_56437	21	1	59378814	D.09.01_0_52197	4	1	59900055	Y.01.06_0_54702	3	1
59079624	A.01.02_0_55910	36	1	59900006	Y.01.01_0_54532	5	2	59900057	Y.01.06_0_54702	39	1
	A.01.03_0_56388	35	1	59900007	Y.01.01_0_54532	6	1	59900058	Y.01.06_0_54702	38	1
59079626	A.03.02_0_55953	13	1	59900009	Y.01.01_0_54532	8	1	59900059	Y.01.06_0_54702	4	1
	A.03.03_0_55986	8	1	59900010	Y.01.01_0_54532	9	1	59900062	Y.01.06_0_54702	30	1
59079629	A.05.01_0_56089	26/2	1	59900011	Y.01.01_0_54532	10	1	59900068	Y.01.06_0_54702	13	1
	B.02.02_0_56470	6/2	1	59900012	Y.01.01_0_54532	11	1	59900070	Y.01.06_0_54702	18	1
	B.02.02_1_76209	6/2	1	59900013	Y.01.01_0_54532	13	1	59900071	Y.01.06_0_54702	10	8
59079630	A.01.03_0_56388	6	1	59900018	Y.01.06_0_54702	19	2	59900073	Y.01.07_0_54765	15	4
59079635	A.01.02_0_55910	32	1	59900019	Y.01.06_0_54702	20	2	59900074	Y.01.02_0_54575	17	13
	A.01.03_0_56388	32	1	59900020	Y.01.06_0_54702	17	4		Y.01.03_0_54619	13	9
59079785	A.03.02_0_55953	7	1	59900026	Y.01.01_0_54532	25	2		Y.01.04_0_54835	5	4
590A1430V	B.02.02_1_76209	1	1	59900027	Y.01.01_0_54532	26	2		Y.01.05_0_54662	12	4
59270304	W.01.01_0_54464	1/1	1	59900028	Y.01.01_0_54532	19	2		Y.01.07_0_54765	13	4
59271011	F.04.01_0_55265	8	1	59900029	Y.01.01_0_54532	28	1	59900075	Y.01.06_0_54702	32	1

SPARE PARTS INSTANCE INDEX

Code	Parts Table	Pos.	Q.ty	Code	Parts Table	Pos.	Q.ty	Code	Parts Table	Pos.	Q.ty
59900075	Y.01.07_0_54765	3	4	59900109	Y.01.04_0_54835	9	2	59900184	B.12.02_0_55774	6	1
59900082	Y.01.08_0_54848	5	4		Y.01.05_0_54662	11	9	59900185	B.12.02_0_55774	7	1
59900090	Y.01.02_0_54575	1	1	59900117	Y.01.05_0_54662	8	2	59900186	B.12.02_0_55774	8	1
59900092	Y.01.02_0_54575	29	1		Y.01.07_0_54765	26	4	59900187	B.12.02_0_55774	9	1
59900093	Y.01.02_0_54575	4	1	59900118	Y.01.05_0_54662	19	1	59900200	B.12.02_0_55774	1	1
	Y.01.03_0_54619	4	1	59900119	Y.01.02_0_54575	38	4	59900230	I.01.01_0_53233	10.1	1
59900094	Y.01.02_0_54575	5	2		Y.01.03_0_54619	29	4		I.01.01_0_53233	11.1	1
	Y.01.03_0_54619	5	1		Y.01.05_0_54662	20	2	59900242	E.03.02_0_54270	1.3	1
59900095	Y.01.02_0_54575	6	2	59900123	Y.01.05_0_54662	30a	1	59900339	F.03.02_0_53000	36.2	1
	Y.01.03_0_54619	6	2	59900124	Y.01.05_0_54662	30b	1	59900345	A.01.02_0_55910	1.5	1
59900096	Y.01.02_0_54575	7a	1	59900125	Y.01.05_0_54662	31a	1		A.01.03_0_56388	1.5	1
59900097	Y.01.02_0_54575	7b	1	59900126	Y.01.05_0_54662	31b	1	59900347	A.04.03_0_56022	1.2	1
59900098	Y.01.02_0_54575	9	1	59900127	Y.01.05_0_54662	32	1		A.04.04_0_56038	1.2	1
	Y.01.02_0_54575	10	1	59900128	Y.01.05_0_54662	33	1		A.04.06_0_56068	1.2	1
	Y.01.03_0_54619	9	1	59900129	Y.01.05_0_54662	28	1	59900353	A.04.03_0_56022	1.1	1
	Y.01.03_0_54619	10	1	59900130	Y.01.05_0_54662	27	1		A.04.04_0_56038	1.1	1
59900102	Y.01.02_0_54575	13	9	59900131	Y.01.05_0_54662	23	1		A.04.06_0_56068	1.1	1
	Y.01.03_0_54619	12	8	59900132	Y.01.03_0_54619	1	1	59900361	W.01.01_0_54464	1.3	1
	Y.01.04_0_54835	4	4	59900134	Y.01.03_0_54619	34	1		W.01.01_0_54464	6.3	1
	Y.01.05_0_54662	14	2	59900135	Y.01.03_0_54619	7a	1		W.01.01_0_54464	10.3	1
59900103	Y.01.02_0_54575	39	6	59900136	Y.01.03_0_54619	8	1		W.01.02_0_54874	6.3	1
	Y.01.03_0_54619	26	5	59900138	Y.01.02_0_54575	41	1	59900364	L.02.03_0_53393	22	1
	Y.01.04_0_54835	6	2		Y.01.03_0_54619	14	1	59900365	L.02.03_0_53393	34	1
	Y.01.05_0_54662	13	2	59900152	B.12.01_0_55306	15	1	59900376	D.12.01_1_64208	12	1
59900106	Y.01.02_0_54575	20	4	59900153	B.12.01_0_55306	9	1	59900377	Y.01.05_0_54662	1a	1
	Y.01.03_0_54619	21	4	59900154	B.12.01_0_55306	8	4	59900378	Y.01.01_0_54532	1	1
	Y.01.05_0_54662	16	2	59900155	B.12.01_0_55306	7/1	1	59900379	Y.01.01_0_54532	2	1
59900107	Y.01.02_0_54575	24	1	59900156	B.12.01_0_55306	6	1	59900380	Y.01.01_0_54532	3	1
	Y.01.03_0_54619	15	1	59900157	B.12.01_0_55306	11	1	59900381	Y.01.01_0_54532	4	2
59900108	Y.01.02_0_54575	25	2	59900158	B.12.01_0_55306	10	18	59900382	Y.01.01_0_54532	7	2
	Y.01.03_0_54619	17	1	59900159	B.12.01_0_55306	5	1		Y.01.08_0_54848	4	1
59900109	Y.01.01_0_54532	40	2	59900160	B.12.01_0_55306	12	1	59900383	Y.01.01_0_54532	12	4
	Y.01.02_0_54575	23	4	59900161	B.12.01_0_55306	14	1	59900384	Y.01.01_0_54532	14a	1
	Y.01.03_0_54619	25	4	59900183	B.12.02_0_55774	5	1	59900385	Y.01.01_0_54532	14b	1



SPARE PARTS INSTANCE INDEX

Code	Parts Table	Pos.	Q.ty	Code	Parts Table	Pos.	Q.ty	Code	Parts Table	Pos.	Q.ty
59900386	Y.01.01_0_54532	15	2	59900407	Y.01.03_0_54619	30	1	59900435	Y.01.06_0_54702	1	1
59900387	Y.01.01_0_54532	16	1	59900408	Y.01.02_0_54575	31	2	59900436	Y.01.06_0_54702	2	1
	Y.01.06_0_54702	50	1		Y.01.03_0_54619	32	2	59900437	Y.01.06_0_54702	5	1
59900388	Y.01.01_0_54532	17	1	59900409	Y.01.02_0_54575	32	1	59900438	Y.01.06_0_54702	6	1
59900389	Y.01.01_0_54532	18	1		Y.01.03_0_54619	33	1	59900439	Y.01.06_0_54702	7	9
59900390	Y.01.01_0_54532	20	4	59900410	Y.01.02_0_54575	33	1	59900440	Y.01.06_0_54702	8	1
59900391	Y.01.01_0_54532	21	1	59900411	Y.01.02_0_54575	36	1	59900441	Y.01.06_0_54702	9	1
59900392	Y.01.01_0_54532	23	2		Y.01.03_0_54619	11	1	59900442	Y.01.06_0_54702	11	1
59900393	Y.01.01_0_54532	24	2		Y.01.09_0_54796	21	4	59900443	Y.01.06_0_54702	12	1
59900394	Y.01.01_0_54532	27	2	59900412	Y.01.02_0_54575	42	1	59900444	Y.01.06_0_54702	14	1
59900395	Y.01.01_0_54532	30	2	59900413	Y.01.03_0_54619	2	1	59900445	Y.01.06_0_54702	16	1
	Y.01.06_0_54702	55	14	59900414	Y.01.03_0_54619	3	1	59900446	Y.01.06_0_54702	21	1
59900396	Y.01.01_0_54532	31	1	59900415	Y.01.03_0_54619	41	1	59900447	Y.01.06_0_54702	22	1
	Y.01.07_0_54765	22	11	59900416	Y.01.03_0_54619	42	1		Y.01.09_0_54796	11	1
	Y.01.09_0_54796	24	1	59900417	Y.01.04_0_54835	1a	1	59900448	Y.01.06_0_54702	23	1
59900397	Y.01.01_0_54532	32	2	59900418	Y.01.04_0_54835	1b	1	59900449	Y.01.06_0_54702	24	1
59900398	Y.01.01_0_54532	35	8	59900419	Y.01.04_0_54835	2	1	59900450	Y.01.06_0_54702	25	1
	Y.01.07_0_54765	18	2	59900420	Y.01.04_0_54835	10a	1	59900451	Y.01.06_0_54702	26	1
59900399	Y.01.01_0_54532	36	1	59900421	Y.01.04_0_54835	10b	1	59900452	Y.01.06_0_54702	27	1
	Y.01.06_0_54702	33	1	59900422	Y.01.05_0_54662	1b	1	59900453	Y.01.06_0_54702	28	1
59900400	Y.01.02_0_54575	2	1	59900423	Y.01.05_0_54662	2	1	59900454	Y.01.06_0_54702	34	4
59900401	Y.01.02_0_54575	3	1	59900424	Y.01.05_0_54662	3	2	59900455	Y.01.06_0_54702	35	4
59900402	Y.01.02_0_54575	12	2	59900425	Y.01.05_0_54662	4	2	59900456	Y.01.06_0_54702	36	1
	Y.01.03_0_54619	22	2	59900426	Y.01.05_0_54662	5	2	59900457	Y.01.06_0_54702	37a	1
59900403	Y.01.02_0_54575	16	1	59900427	Y.01.05_0_54662	6	2	59900458	Y.01.06_0_54702	37b	1
	Y.01.03_0_54619	31	1	59900428	Y.01.05_0_54662	15	1	59900459	Y.01.06_0_54702	40	1
59900404	Y.01.02_0_54575	19	2	59900429	Y.01.05_0_54662	18	1	59900460	Y.01.06_0_54702	41	2
	Y.01.07_0_54765	14	4	59900430	Y.01.05_0_54662	22a	1	59900461	Y.01.06_0_54702	42	2
59900405	Y.01.02_0_54575	27	2	59900431	Y.01.05_0_54662	22b	1	59900462	Y.01.06_0_54702	43	8
	Y.01.03_0_54619	27	2	59900432	Y.01.05_0_54662	24	2	59900463	Y.01.06_0_54702	45	2
59900406	Y.01.02_0_54575	28	2		Y.01.07_0_54765	20	2	59900464	Y.01.06_0_54702	46	6
	Y.01.03_0_54619	28	2		Y.01.09_0_54796	25	1	59900465	Y.01.06_0_54702	48	2
59900407	Y.01.02_0_54575	30	1	59900433	Y.01.05_0_54662	34a	1	59900466	Y.01.06_0_54702	49	1
	Y.01.03_0_54619	20	1	59900434	Y.01.05_0_54662	34b	1		Y.01.07_0_54765	11	1



SPARE PARTS INSTANCE INDEX

Code	Parts Table	Pos.	Q.ty	Code	Parts Table	Pos.	Q.ty	Code	Parts Table	Pos.	Q.ty
59900467	Y.01.06_0_54702	51	2	59900501	Y.01.09_0_54796	3	1	59901087	E.03.02_0_54270	13.1	2
59900468	Y.01.06_0_54702	53	2	59900502	Y.01.09_0_54796	4	1	59901140	A.01.02_0_55910	1.3	1
59900469	Y.01.06_0_54702	54	1	59900503	Y.01.09_0_54796	5	1		A.01.03_0_56388	1.3	1
59900470	Y.01.06_0_54702	56a	1	59900504	Y.01.09_0_54796	6	1	59901141	A.01.03_0_56388	1.4	1
59900471	Y.01.06_0_54702	56b	1	59900505	Y.01.09_0_54796	7	1	59901144	B.02.02_0_56470	1/1	1
59900472	Y.01.06_0_54702	57a	1	59900506	Y.01.09_0_54796	8	1	59901145	B.02.02_0_56470	1/2	1
59900473	Y.01.06_0_54702	57b	1	59900507	Y.01.09_0_54796	9	1	59901146	B.02.02_0_56470	1/3	1
59900474	Y.01.06_0_54702	59	4	59900508	Y.01.09_0_54796	10	1	59901147	B.02.02_0_56470	1/4	1
59900475	Y.01.07_0_54765	2	1	59900509	Y.01.09_0_54796	12a	1	59901150	B.02.02_0_56470	1/5	1
59900476	Y.01.07_0_54765	5	3	59900510	Y.01.09_0_54796	12b	1	59901151	B.02.02_0_56470	1/6	1
59900477	Y.01.07_0_54765	12	1	59900511	Y.01.09_0_54796	14	1	59901152	B.02.02_0_56470	1/7	1
59900478	Y.01.07_0_54765	21	1	59900512	Y.01.09_0_54796	15	1	59901153	B.02.02_0_56470	1/8	1
59900479	Y.01.07_0_54765	27a	1	59900513	Y.01.09_0_54796	16	1	59901384	B.02.02_1_76209	2/1	1
59900480	Y.01.07_0_54765	27b	1	59900514	Y.01.09_0_54796	17	1	59901385	B.02.02_1_76209	2/2	1
59900481	Y.01.08_0_54848	1	1	59900515	Y.01.09_0_54796	18	2	59901387	B.02.02_1_76209	2/3	1
59900482	Y.01.08_0_54848	2a	1	59900516	Y.01.09_0_54796	19	4	59901388	B.02.02_1_76209	2/4	1
59900483	Y.01.08_0_54848	2b	1	59900517	Y.01.09_0_54796	22	1	F0110037024	L.02.03_0_53393	25	1
59900484	Y.01.08_0_54848	3a	1	59900518	Y.01.09_0_54796	23	1	F0150010905	W.01.01_0_54464	11	1
59900485	Y.01.08_0_54848	3b	1	59900519	Y.01.09_0_54796	26	1		W.01.02_0_54874	7	1
59900486	Y.01.08_0_54848	7	4	59900520	Y.01.09_0_54796	27	1	F0150036215	B.12.02_0_55774	2	1
59900487	Y.01.08_0_54848	9	4	59900521	Y.01.09_0_54796	28	1	F0150036219	B.12.02_0_55774	3	1
59900488	Y.01.08_0_54848	10	4	59900522	Y.01.09_0_54796	29	1	F0190018909	E.02.01_0_55297	2	1
59900489	Y.01.08_0_54848	11	4	59900523	Y.01.09_0_54796	30	1	F0256612916	A.03.03_0_55986	27	1
59900490	Y.01.08_0_54848	12	1	59900524	Y.01.09_0_54796	31	1	F0256808000	A.05.01_0_56089	31	1
59900491	Y.01.08_0_54848	13	8	59900525	Y.01.09_0_54796	32	1		B.04.03_0_52306	26	1
59900492	Y.01.08_0_54848	14	8	59900526	Y.01.09_0_54796	33	1	F0256809010	B.10.01_0_51339	3	1
59900493	Y.01.08_0_54848	16	4	59900527	Y.01.09_0_54796	34	1	F0256809050	A.03.02_0_55953	6	1
59900494	Y.01.08_0_54848	19	8	59900528	Y.01.09_0_54796	35a	1		A.03.03_0_55986	4	1
59900495	Y.01.08_0_54848	20	2	59900529	Y.01.09_0_54796	35b	1	F0256909000	F.03.02_0_53000	55	1
59900496	Y.01.08_0_54848	21	1	59900530	Y.01.09_0_54796	36	1	F0256910000	A.03.03_0_55986	3	1
59900497	Y.01.08_0_54848	22	1	59900766	A.01.02_0_55910	1.4	1	F0256910010	B.05.01_0_55676	11	1
59900498	Y.01.08_0_54848	23	1	59901048	B.12.01_0_55306	2	1		B.05.02_0_55703	9	1
59900499	Y.01.09_0_54796	1	1	59901049	B.12.01_0_55306	4	1	F0801022000	T.03.03_0_54078	16	1
59900500	Y.01.09_0_54796	2	1	59901086	E.01.01_0_54232	8.1	2	F0801028000	T.03.03_0_54078	10	6



SPARE PARTS INSTANCE INDEX

Code	Parts Table	Pos.	Q.ty	Code	Parts Table	Pos.	Q.ty	Code	Parts Table	Pos.	Q.ty
F0801050000	M.01.01_0_53549	23	1	F0802228005	D.12.01_1_64208	29	1	F0812868000	D.04.01_0_54324	2	1
F0801095000	D.15.02_0_52771	27	1	F0802239045	D.01.01_0_52465	7	1	F0812868100	D.02.01_0_51799	15	1
F0801138010	D.02.01_0_51799	9	1	F0802700150	D.10.01_0_52237	1	1	F0812878040	D.04.01_0_54324	4	2
F0801163000	F.03.02_0_53000	31	1	F0803050000	F.03.02_0_53000	24	1	F0812899000	D.06.01_0_54411	2	1
F0801218010	D.01.01_0_52465	28	2	F0803057000	D.03.02_0_52154	15	2	F0812918010	D.04.01_0_54324	22	1
F0801241010	D.05.01_0_54362	4	4	F0803078100	D.01.01_0_52465	5	1		D.12.01_1_64208	27	3
	D.12.01_1_64208	15	1	F0803185000	L.02.01_0_53287	2	1	F0812951070	D.06.01_0_54411	5	2
	D.15.02_0_52771	10	2		L.02.03_0_53393	2	1	F0812951200	D.04.01_0_54324	15	2
	L.01.01_0_53253	23	2		L.02.04_0_53447	2	1	F0812951300	D.12.01_1_64208	21	1
	M.01.01_0_53549	33	2		M.02.01_0_53618	2	1	F0812956000	D.01.01_0_52465	14	2
F0801248000	D.12.01_1_64208	14	1		M.02.02_0_53689	2	1		D.09.01_0_52197	13	2
F0801264050	D.02.01_0_51799	12	1	F0803199010	D.12.01_1_64208	66	1	F0812957000	D.06.01_0_54411	14	1
	D.04.01_0_54324	1	1	F0803209000	D.11.01_0_52534	4	1	F0812957010	D.12.01_1_64208	11	1
F0801266100	D.02.01_0_51799	20	1	F0803209070	C.01.01_0_51490	13	1	F0812975250	D.10.01_0_52237	2	2
F0801282000	L.02.01_0_53287	38	12	F0803259000	C.01.01_0_51490	12	1	F0814545000	A.04.06_0_56068	15	2
	L.02.03_0_53393	45	10	F0808060100	T.03.01_0_54060	2	1	F0814547000	B.02.02_0_56470	31	8
	L.02.04_0_53447	39	12	F0808518050	B.07.01_0_56267	31	4		B.02.02_1_76209	31	8
	M.02.01_0_53618	58	12	F0810510000	D.03.02_0_52154	24	2	F0814569000	B.01.02_0_56437	20	1
	M.02.02_0_53689	58	12		D.14.01_0_52728	6	2		D.03.02_0_52154	19	2
F0801282050	D.12.01_1_64208	45	1		D.15.02_0_52771	15	5		M.01.01_0_53549	24	5
F0801297050	D.12.01_1_64208	49	1	F0810527000	D.03.02_0_52154	32	2	F0814585000	B.02.02_0_56470	5	3
F0801299100	D.06.01_0_54411	21	2	F0812523050	D.02.01_0_51799	1	1		B.02.02_1_76209	5	3
F0801310600	C.01.01_0_51490	43	1	F0812599086	D.12.01_1_64208	12.1	1		B.10.01_0_51339	8	1
F0801331050	L.01.01_0_53253	20	2	F0812637000	D.12.01_1_64208	2	2	F0814627000	D.15.02_0_52771	19	1
	M.01.01_0_53549	30	2	F0812660020	D.04.01_0_54324	21	1	F0814632000	A.03.02_0_55953	10	2
F0801331150	D.04.01_0_54324	7	2	F0812689050	D.12.01_1_64208	13	1		C.01.01_0_51490	10	2
F0801353000	D.04.01_0_54324	12	1	F0812692015	D.06.01_0_54411	16	1	F0814750010	C.03.01_0_51767	9	16
	D.12.01_1_64208	9	1	F0812708030	D.05.01_0_54362	2	1	F0814793010	W.01.01_0_54464	15.5	6
F0801380100	D.04.01_0_54324	16	2	F0812736010	D.12.01_1_64208	31	1	F0814794000	B.03.01_0_55581	21	2
F0801422010	D.01.01_0_52465	10	2	F0812747000	C.01.01_0_51490	28	4	F0814797000	C.01.01_0_51490	31.1	2
F0801455100	D.02.01_0_51799	32	1	F0812783000	D.04.01_0_54324	19	1	F0817500200	A.01.02_0_55910	29	1
F0802104000	D.09.01_0_52197	1	1	F0812784000	D.12.01_1_64208	18	2		A.01.03_0_56388	29	1
F0802119050	D.01.01_0_52465	24	4	F0812811000	D.06.01_0_54411	20	2		A.03.02_0_55953	30	4
F0802163010	D.02.01_0_51799	11	1	F0812859000	D.01.01_0_52465	9	2		A.03.03_0_55986	30	4

SPARE PARTS INSTANCE INDEX

Code	Parts Table	Pos.	Q.ty	Code	Parts Table	Pos.	Q.ty	Code	Parts Table	Pos.	Q.ty
F0817500200	A.05.01_0_56089	20	4	F0824110000	F.03.02_0_53000	54	2	F0825436000	E.03.02_0_54270	1.5	1
F0817500400	A.01.02_0_55910	28	3		F.04.01_0_55265	21	2	F0825436003	B.08.02_0_51286	7.4	1
	A.01.03_0_56388	28	3		L.02.01_0_53287	25	14		E.03.02_0_54270	1.6	1
	A.03.02_0_55953	32	2		L.02.03_0_53393	29	18	F0825438000	E.03.02_0_54270	5	1
F0817500410	A.03.03_0_55986	28	2		L.02.04_0_53447	26	15	F0825480100	E.02.01_0_55297	1	1
F0817500470	A.03.02_0_55953	25	2		M.02.01_0_53618	11	17	F0825488000	E.03.02_0_54270	9	2
	A.03.03_0_55986	21	2		M.02.02_0_53689	11	18	F0825493000	E.03.02_0_54270	18	1
F0817500500	A.03.02_0_55953	22	1	F0824113000	C.03.01_0_51767	15	1	F0825500220	B.08.02_0_51286	8.1	1
	A.03.03_0_55986	24	1		F.02.02_0_55891	14	2	F0825718020	F.01.05_0_55833	14.1	2
F0817500700	A.01.03_0_56388	41	1		F.03.02_0_53000	44	2	F0825809000	L.02.01_0_53287	1	1
	A.03.02_0_55953	24	1		L.02.01_0_53287	32	4		L.02.03_0_53393	1	1
	A.03.03_0_55986	20	1		L.02.03_0_53393	37	4		L.02.04_0_53447	1	1
F0817500720	A.01.03_0_56388	42	1		L.02.04_0_53447	33	4		M.02.01_0_53618	1	1
	A.03.03_0_55986	22	1		M.02.01_0_53618	53	4		M.02.02_0_53689	1	1
F0817500800	A.04.03_0_56022	9	1		M.02.02_0_53689	53	4	F0825980030	L.02.01_0_53287	39	6
	A.04.04_0_56038	10	1	F0824141000	F.03.02_0_53000	14	8		L.02.03_0_53393	46	5
	A.04.05_0_56055	9	1		L.02.01_0_53287	37	7		L.02.04_0_53447	40	6
	A.04.06_0_56068	10	1		L.02.03_0_53393	44	6		M.02.01_0_53618	59	6
F0817500820	A.03.03_0_55986	23	2		L.02.04_0_53447	38	6		M.02.02_0_53689	59	6
F0817500900	A.04.03_0_56022	10	1		M.02.01_0_53618	31	4	F0826039000	D.03.02_0_52154	31	2
	A.04.04_0_56038	11	1		M.02.01_0_53618	57	7	F0826056000	C.02.02_0_51590	7	2
	A.04.05_0_56055	10	1		M.02.02_0_53689	31	4		L.01.01_0_53253	6	1
	A.04.06_0_56068	11	1		M.02.02_0_53689	57	6		M.01.01_0_53549	7	3
F0817501200	A.04.03_0_56022	7	1	F0824185000	F.01.05_0_55833	22	1		T.01.03_0_53964	4	2
F0817503000	F.01.05_0_55833	9	8		F.04.01_0_55265	16	1		T.03.02_0_54069	1.2	1
F0817516200	L.02.03_0_53393	39	2	F0825115010	B.08.02_0_51286	10	1	F0828029070	A.02.02_0_54125	1	1
F0817640003	D.07.02_0_52066	5	3	F0825139000	E.03.02_0_54270	1.4	1	F0828468050	D.13.01_0_52705	12	2
F0822537050	D.03.02_0_52154	29	1	F0825400060	B.08.02_0_51286	9	1	F0831047000	D.13.01_0_52705	9	1
	D.15.02_0_52771	30	4	F0825403050	B.08.02_0_51286	18	1	F0831065000	B.01.02_0_56437	13	1
F0824022000	L.02.01_0_53287	5	1	F0825414000	A.05.01_0_56089	25	2	F0831125000	A.02.02_0_54125	14	2
	L.02.03_0_53393	5	1		B.02.02_0_56470	21	4	F0835031010	F.03.02_0_53000	19	4
	L.02.04_0_53447	5	1		B.02.02_1_76209	21	4	F0835037000	L.02.01_0_53287	36	5
	M.02.01_0_53618	5	1	F0825417000	E.02.01_0_55297	8	1		L.02.03_0_53393	43	4
	M.02.02_0_53689	5	1	F0825436000	B.08.02_0_51286	7.3	1		L.02.04_0_53447	37	6



SPARE PARTS INSTANCE INDEX

Code	Parts Table	Pos.	Q.ty	Code	Parts Table	Pos.	Q.ty	Code	Parts Table	Pos.	Q.ty
F0835037000	M.02.01_0_53618	56	5	F0843116000	M.02.01_0_53618	30	2	F0843643060	D.15.02_0_52771	25	7
	M.02.02_0_53689	56	6		M.02.01_0_53618	62	1		F.01.05_0_55833	17	12
F0835040030	F.03.02_0_53000	18	2		M.02.02_0_53689	30	2		F.03.02_0_53000	27	2
F0835523000	D.03.02_0_52154	26	1	F0843561000	A.02.02_0_54125	24	1		F.04.01_0_55265	3	2
F0837521000	B.10.01_0_51339	42	1	F0843570000	A.01.02_0_55910	24	4		L.01.01_0_53253	10	2
F0837534010	L.02.01_0_53287	16	4		A.01.03_0_56388	24	4		L.01.01_0_53253	26	2
	L.02.03_0_53393	14	4		A.03.02_0_55953	3	8		L.02.01_0_53287	9	7
	L.02.04_0_53447	17	4		A.03.03_0_55986	12	7		L.02.03_0_53393	9	6
	M.02.01_0_53618	17	3		A.05.01_0_56089	28	2		L.02.04_0_53447	9	7
	M.02.02_0_53689	17	3		B.01.02_0_56437	23	4		M.01.01_0_53549	11	2
F0838154010	D.12.01_1_64208	59	2		B.04.03_0_52306	20	4		M.01.01_0_53549	36	2
F0838475000	C.01.01_0_51490	9	2		C.01.01_0_51490	49	8		M.02.01_0_53618	9	13
F0842512000	F.03.02_0_53000	12	2		F.02.02_0_55891	7	4		M.02.02_0_53689	9	13
F0843107000	F.03.02_0_53000	51	1		F.03.02_0_53000	8	4		T.01.01_0_53900	13	2
	F.04.01_0_55265	13	8		F.03.02_0_53000	41	1		T.01.02_0_53928	16	2
F0843109000	F.03.02_0_53000	47	2		F.04.01_0_55265	6	3		T.01.03_0_53964	22	2
F0843109020	F.03.02_0_53000	53	1		M.01.01_0_53549	57	2	F0843696000	B.12.02_0_55774	12	4
	F.04.01_0_55265	20/1	1		M.01.01_0_53549	63	1	F0843711000	D.15.02_0_52771	37	4
	L.02.01_0_53287	24	4	F0843581010	D.03.02_0_52154	7	2	F0843755000	A.01.02_0_55910	11	2
	L.02.03_0_53393	28	3	F0843641000	D.03.02_0_52154	10	1		A.01.03_0_56388	11	2
	L.02.04_0_53447	25	4		D.12.01_1_64208	63	1		A.03.02_0_55953	9	4
	M.02.01_0_53618	10	4	F0843643060	A.01.02_0_55910	4	6		A.03.03_0_55986	6	3
	M.02.02_0_53689	10	4		A.01.03_0_56388	4	3		A.05.01_0_56089	15	2
F0843110010	F.03.02_0_53000	43	1		A.02.02_0_54125	5	5		B.04.03_0_52306	8	6
	L.02.01_0_53287	31	2		A.03.02_0_55953	19	2		B.04.04_0_52338	6	6
	L.02.03_0_53393	36	2		A.03.03_0_55986	33	2		C.01.01_0_51490	11	2
	L.02.04_0_53447	32	2		A.05.01_0_56089	30	1		E.02.01_0_55297	6	1
	M.02.01_0_53618	25	3		B.01.02_0_56437	19	1		F.01.05_0_55833	19	4
	M.02.01_0_53618	52	2		B.02.02_0_56470	9	6		F.02.02_0_55891	10	2
	M.02.02_0_53689	25	1		B.02.02_1_76209	9	6		F.03.02_0_53000	4	6
	M.02.02_0_53689	52	2		B.04.03_0_52306	25	6		M.01.01_0_53549	48	2
F0843116000	F.03.02_0_53000	13	4		B.10.01_0_51339	15	16		T.01.01_0_53900	8	8
	L.02.01_0_53287	42	1		C.01.01_0_51490	36	2		T.01.02_0_53928	11	8
	L.02.03_0_53393	49	1		C.02.02_0_51590	11	2		T.01.03_0_53964	16	8

SPARE PARTS INSTANCE INDEX

Code	Parts Table	Pos.	Q.ty	Code	Parts Table	Pos.	Q.ty	Code	Parts Table	Pos.	Q.ty
F0843755000	T.01.03_0_53964	18	2	F0847462000	D.13.01_0_52705	8	1	F0851486000	T.01.02_0_53928	5.4	1
F0843771000	D.07.02_0_52066	15	5	F0848655100	W.01.01_0_54464	14	1		T.01.02_0_53928	13.2	2
	F.04.01_0_55265	18	3	F0848664000	W.01.01_0_54464	5	1		T.01.03_0_53964	7	4
F0843815000	F.02.02_0_55891	11	2	F0848679500	W.01.01_0_54464	9	1		T.01.03_0_53964	19.2	4
F0843818000	B.04.03_0_52306	10	6	F0848679600	W.01.01_0_54464	12	1		T.03.01_0_54060	5	4
	B.04.04_0_52338	8	6	F0848679700	W.01.02_0_54874	8	1		T.03.02_0_54069	3	4
F0843841000	D.03.02_0_52154	3	2	F0848680000	W.01.01_0_54464	7	1	F0851497000	B.01.02_0_56437	29	1
	F.04.01_0_55265	11	1	F0848681600	W.01.02_0_54874	12	1		T.03.01_0_54060	3	1
F0843907000	D.03.02_0_52154	8	2	F0848681605	W.01.02_0_54874	13	1	F0852107050	T.01.01_0_53900	4.1	1
	F.01.05_0_55833	8	1	F0848683000	W.01.02_0_54874	10	1	F0852538050	F.01.05_0_55833	7	1
	F.03.02_0_53000	20	4	F0848683500	W.01.02_0_54874	9	1	F0852550010	L.02.01_0_53287	40/1	2
	F.03.02_0_53000	52	2	F0848920000	W.01.01_0_54464	4	1		L.02.04_0_53447	41/1	2
	F.04.01_0_55265	14	16		W.01.02_0_54874	4	1		M.02.01_0_53618	60/1	2
F0843921030	B.01.02_0_56437	26	2	F0848940000	W.01.01_0_54464	8	1		M.02.02_0_53689	60/1	2
F0843948000	F.03.02_0_53000	35	10	F0849206005	A.03.02_0_55953	17	1	F0852550020	L.02.01_0_53287	40/2	2
	F.04.01_0_55265	9	1		A.03.03_0_55986	14	1		L.02.03_0_53393	47/1	2
F0843993060	W.01.01_0_54464	19	4	F0849500001	A.05.01_0_56089	1.1	1		L.02.04_0_53447	41/2	2
	W.01.02_0_54874	17	4	F0849500002	A.05.01_0_56089	1.2	1		M.02.01_0_53618	60/2	2
F0844030070	A.01.02_0_55910	22	1	F0850100000	D.05.01_0_54362	1	1		M.02.02_0_53689	60/2	2
	A.01.03_0_56388	22	1	F0850100010	D.05.01_0_54362	1	1	F0852550030	L.02.01_0_53287	40/3	1
F0844082000	W.01.01_0_54464	15.4	6	F0850100020	D.05.01_0_54362	1	1		L.02.03_0_53393	47/2	2
F0844084000	W.01.02_0_54874	1.4	5	F0851044000	D.01.01_0_52465	29	3		L.02.04_0_53447	41/3	2
F0844150000	W.01.01_0_54464	3	1	F0851156000	D.07.02_0_52066	33	4		M.02.01_0_53618	60/3	1
	W.01.02_0_54874	3	4	F0851180000	D.13.01_0_52705	16	2		M.02.02_0_53689	60/3	1
F0844273090	C.01.01_0_51490	5	2	F0851226000	D.12.01_1_64208	58	1	F0852550040	L.02.01_0_53287	40/4	1
	C.03.01_0_51767	5	1	F0851260000	D.11.01_0_52534	16	1		L.02.03_0_53393	47/3	1
	D.10.01_0_52237	16	1	F0851262000	D.07.02_0_52066	34	4		M.02.01_0_53618	60/4	1
	L.02.01_0_53287	44	1		D.15.02_0_52771	4	2	F0852578060	D.07.02_0_52066	41	1
	L.02.03_0_53393	51	1	F0851267050	D.07.02_0_52066	35	3		D.12.01_1_64208	48.1	2
	L.02.04_0_53447	43	1		D.11.01_0_52534	11	1	F0858520000	A.02.02_0_54125	7	1
	M.02.01_0_53618	64	1	F0851486000	L.01.01_0_53253	31	1	F0860058010	D.03.02_0_52154	35	1
	M.02.02_0_53689	62	1		M.01.01_0_53549	54	1	F0860058020	D.03.02_0_52154	36	1
F0847434000	D.07.02_0_52066	38	5		T.01.01_0_53900	10.2	3	F0860091020	D.15.02_0_52771	32	2
	D.13.01_0_52705	19	2		T.01.02_0_53928	4.4	1	F0861867001	B.08.02_0_51286	22	3

SPARE PARTS INSTANCE INDEX

Code	Parts Table	Pos.	Q.ty	Code	Parts Table	Pos.	Q.ty	Code	Parts Table	Pos.	Q.ty
F0861867050	A.05.01_0_56089	4	6	F0862495010	B.12.02_0_55774	11	4	F0864335020	B.01.02_0_56437	30	1
F0861928050	B.10.01_0_51339	30	4	F0862593050	M.01.01_0_53549	52	1	F0864357050	W.01.01_0_54464	15.3	6
F0861941000	E.03.02_0_54270	6	3	F0862655000	D.10.01_0_52237	14	4	F0864357100	W.01.02_0_54874	1.3	5
F0861973000	M.02.01_0_53618	40	5	F0862694000	A.01.02_0_55910	3	3	F0864377000	B.03.01_0_55581	20	2
	M.02.02_0_53689	40	5		D.03.02_0_52154	18	1	F0864410500	W.01.01_0_54464	2	4
F0862129000	F.03.02_0_53000	46	2	F0862728000	Y.01.05_0_54662	29	1		W.01.02_0_54874	2	4
F0862261010	Y.01.02_0_54575	11	1	F0862785000	D.01.01_0_52465	2/1	1	F0865040000	B.08.02_0_51286	1	1
	Y.01.03_0_54619	18	1	F0862796000	F.01.05_0_55833	5	4	F0865040020	B.08.02_0_51286	2	1
F0862345000	D.03.02_0_52154	6	2	F0862875000	B.10.01_0_51339	6	1	F0865474000	B.08.02_0_51286	3	1
	F.04.01_0_55265	5	2	F0862944000	D.07.02_0_52066	13	1	F0865474005	B.08.02_0_51286	3.1	1
F0862448100	D.03.02_0_52154	11	1	F0863183000	D.07.02_0_52066	40	1	F0907170150	B.07.01_0_56267	36	1
	D.12.01_1_64208	62	1	F0863208050	M.01.01_0_53549	46	1	P000000005545	Y.01.01_0_54532	34	2
F0862462010	L.02.01_0_53287	4	1	F0863267050	C.01.01_0_51490	25	6	P000000009122	W.01.01_0_54464	13	1
	L.02.03_0_53393	4	1	F0863302000	T.01.03_0_53964	9	2	P227332000000	F.03.02_0_53000	21	1
	L.02.04_0_53447	4	1	F0863311250	D.01.01_0_52465	13	8	P236220000000	A.03.02_0_55953	27	1
	M.02.01_0_53618	4	1		D.09.01_0_52197	5	8		A.03.03_0_55986	26	1
	M.02.02_0_53689	4	1	F0863429000	L.01.01_0_53253	4	4	P236340000000	A.03.02_0_55953	26	1
F0862464050	A.05.01_0_56089	24	2		M.01.01_0_53549	4	4		A.03.03_0_55986	25	1
F0862478070	D.10.01_0_52237	8	3	F0863586000	B.10.01_0_51339	28	6	P241171000000	L.02.01_0_53287	28	1
F0862479020	B.02.02_0_56470	23	1	F0863672010	T.03.03_0_54078	13	1		L.02.04_0_53447	29	1
	B.02.02_1_76209	23	1	F0863728010	Y.01.08_0_54848	15	4	P254124000000	F.04.01_0_55265	30	2
	B.08.02_0_51286	16	4	F0863890010	C.03.01_0_51767	13	16	P439149000000	B.03.01_0_55581	19	2
	B.10.01_0_51339	20	8	F0863925000	C.02.02_0_51590	2	7	P470330000000	D.12.01_1_64208	68	1
F0862479034	B.04.03_0_52306	30	1	F0863951000	C.02.02_0_51590	4	1	P470433000000	D.12.01_1_64208	67	1
	B.04.04_0_52338	18	1	F0863997010	C.02.02_0_51590	3	1	P493188000000	A.04.05_0_56055	7	1
F0862479035	A.01.02_0_55910	5	1	F0864180000	T.03.01_0_54060	8	8	P917280000000	B.03.01_0_55581	18	2
	A.01.03_0_56388	5	1		T.03.02_0_54069	6	8				
	B.04.03_0_52306	19	4	F0864222010	C.01.01_0_51490	17	16				
	B.04.03_0_52306	29	3		T.03.03_0_54078	3	8				
	B.04.04_0_52338	17	3	F0864290010	B.01.02_0_56437	32	2				
F0862481000	A.05.01_0_56089	18	2	F0864314000	W.01.01_0_54464	18	4				
	M.02.01_0_53618	35	1		W.01.02_0_54874	16	4				
	M.02.02_0_53689	35	1	F0864335020	A.01.02_0_55910	19	1				
F0862495010	A.01.03_0_56388	3	3		A.01.03_0_56388	19	1				